

Size: 11.5oz

Rev. A Date

02/28/01

Pkg. Description/Type: GENERIC 11.5oz juice CANS

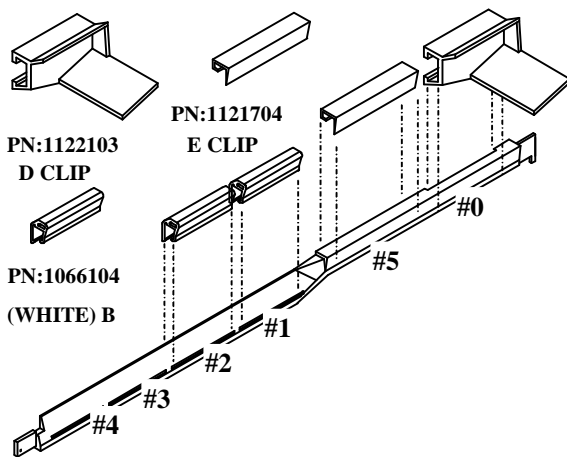
Franchise: ANY

KIT# 1113228-8

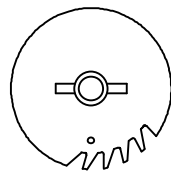
Column Setup

Cam Setting	Back Spacer	Neck Guide Locations	Gage Bar Clip Location	Gage Bar Location	Side Spacer	Sold Out Flap	Sold Out Spacer
4	19	N/A	B/#1 & B/#2 D/#0, E/#5	#1	1122032 Loc. #1	1112163	N/A

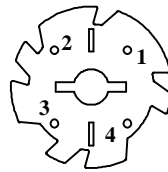
Note: To properly vend product the V-Max must have the columns set up as illustrated.



Gage Bar Clip Location

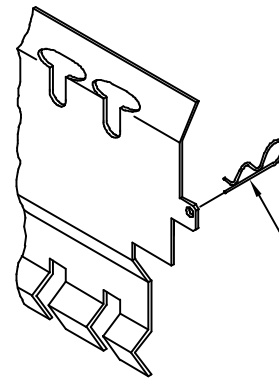


CAM PN: 1113236



RETAINER PN: 1113244

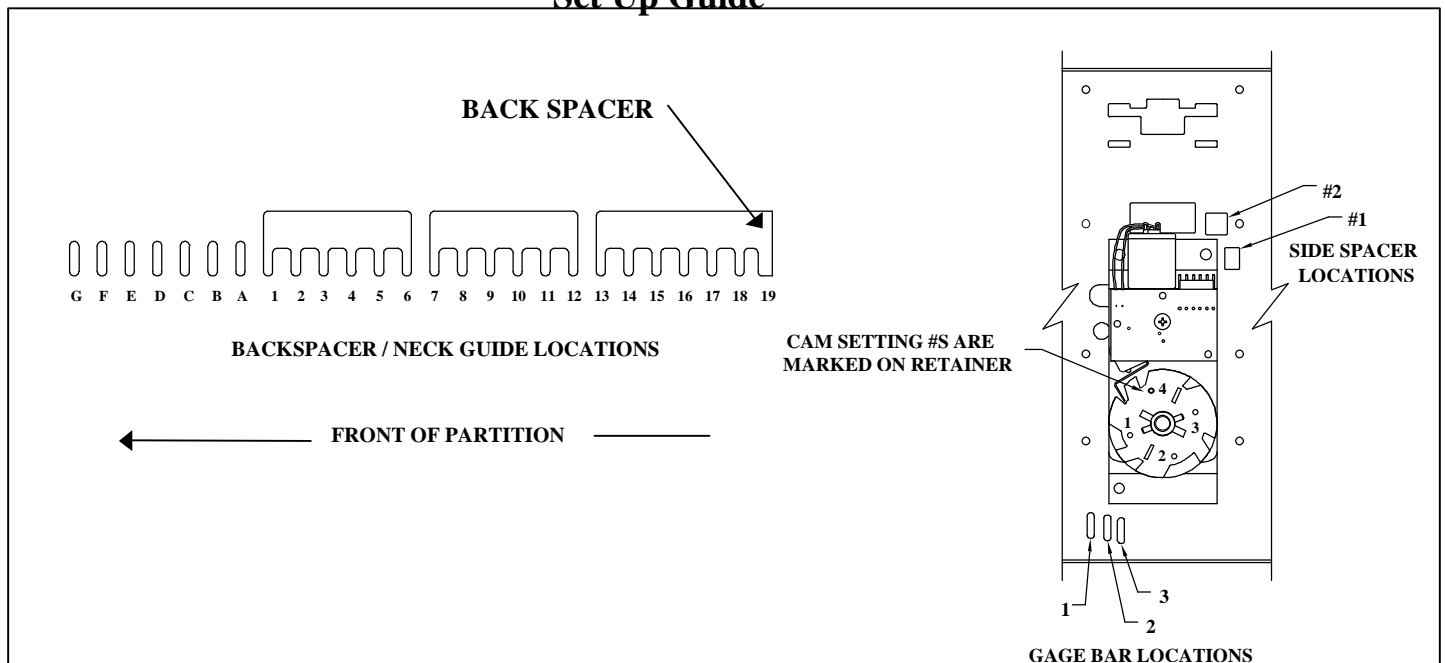
Cam and Retainer



PN:1122032

Spacer

Set Up Guide



FOR OTHER PRODUCT SET-UP GUIDES, CONTACT THE VENDO COMPANY.

Installation Instruction #

TEL : (559) 439-1770 FAX: (559) 650-3455.

Installation Instruction #

Size: 12oz / 355ml

Rev. A Date 09/28/00

Pkg. Description/Type: GENERIC 12oz / 355ml CANS

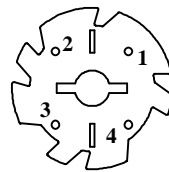
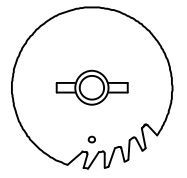
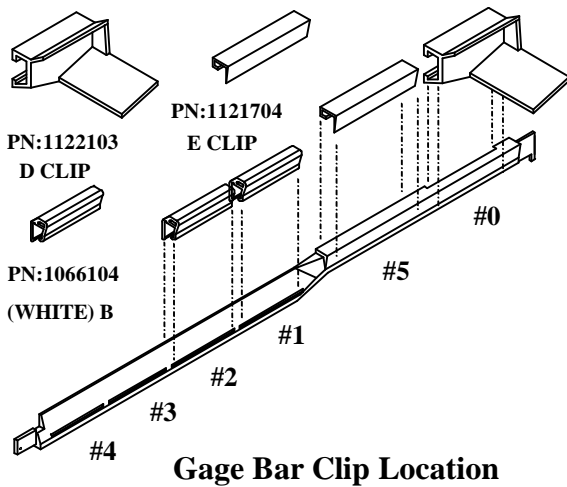
Franchise: ANY

KIT# 1113228-8

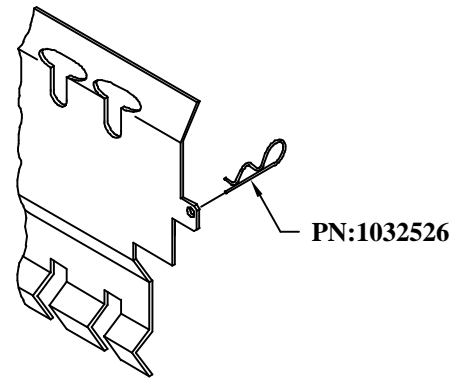
Column Setup

Cam Setting	Back Spacer	Neck Guide Locations	Gage Bar Clip Location	Gage Bar Location	Side Spacer	Sold Out Flap	Sold Out Spacer
4	19	N/A	B/#1 & B/#2 D/#0, E/#5	#1	1122032 Loc. #1	LONG	N/A

Note: To properly vend product the V-Max must have the columns set up as illustrated.



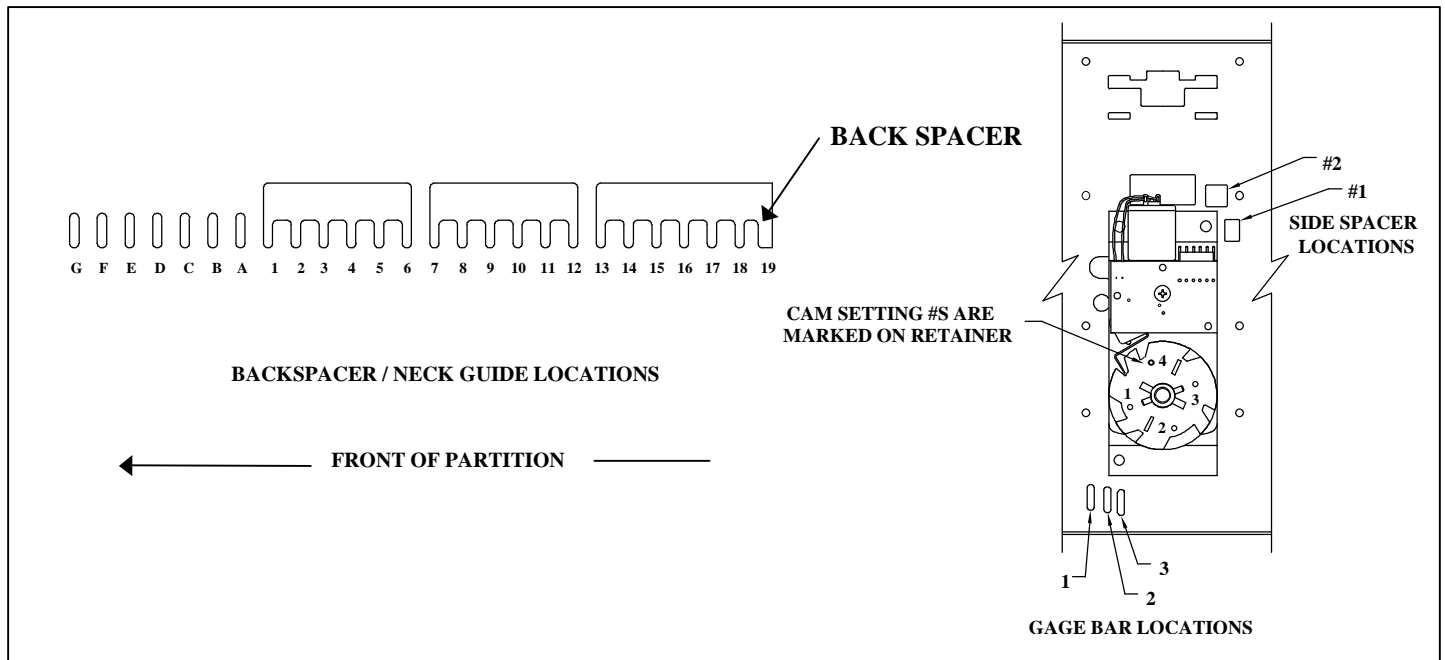
Cam and Retainer



PN:1122032

Spacer

Set Up Guide



FOR OTHER PRODUCT SET-UP GUIDES, CONTACT THE VENDO COMPANY.
TEL : (559) 439-1770 FAX: (559) 650-3455.

Installation Instruction #1122171

Size: 12oz / 355ml

Rev. B Date

05/11/01

Pkg. Description/Type: GENERIC 12oz / 355ml CANS

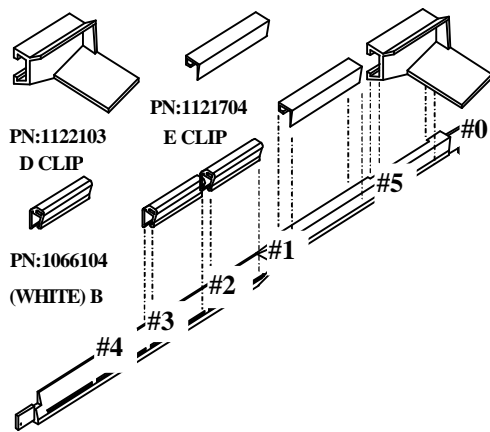
Franchise: ANY

KIT# 1113228-9

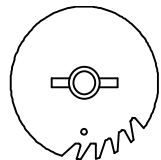
Column Setup

Cam Setting	Back Spacer	Neck Guide Locations	Gage Bar Clip Location	Gage Bar Location	Side Spacer	Sold Out Flap	Sold Out Spacer
4	19	N/A	B/#1 & B/#2 D/#0, E/#5	#1	1122032 Loc. #1	Long	N/A
3	11	N/A	B/#1 B/#2	#2	1122032 Loc. #1	Long	N/A

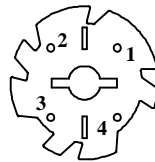
Note: To properly vend product the V-Max must have the columns set up as illustrated.



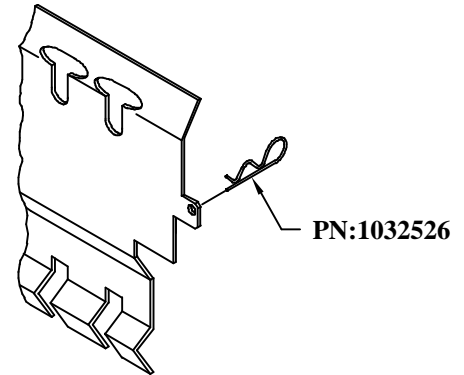
Gage Bar Clip Location



CAM PN: 1113236



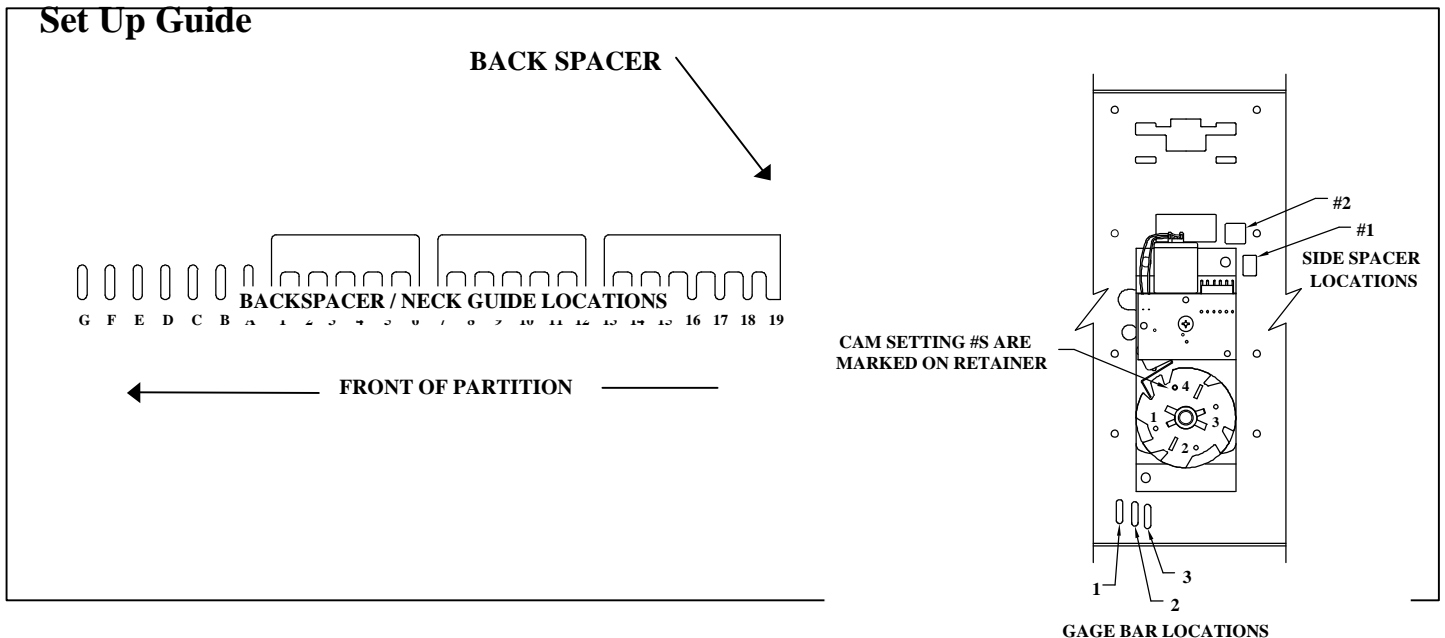
RETAINER PN: 1113244



PN:1122032

Spacer

Set Up Guide



FOR OTHER PRODUCT SET-UP GUIDES, CONTACT THE VENDO COMPANY.

Installation Instruction #1122171

TEL : (559) 439-1770 FAX: (559) 650-3455.

Size: 500ml / 16.9oz

Rev. A Date 8/28/00

Pkg. Description/Type: COLE BROTHERS MINERAL WATER

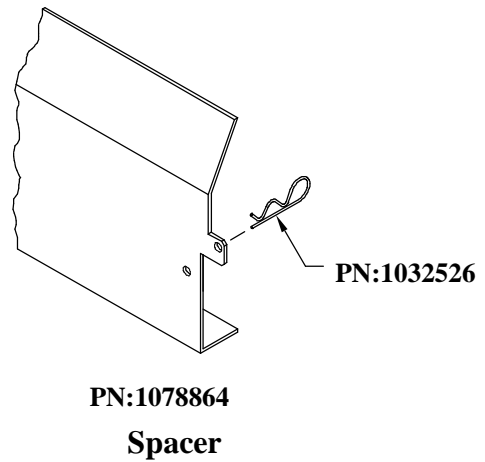
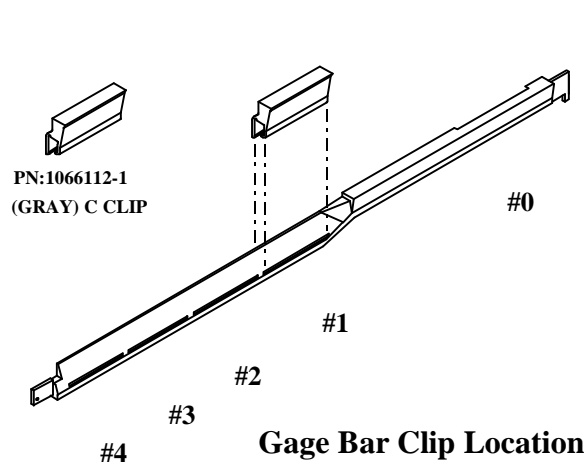
Franchise: COLE BROTHERS

KIT#

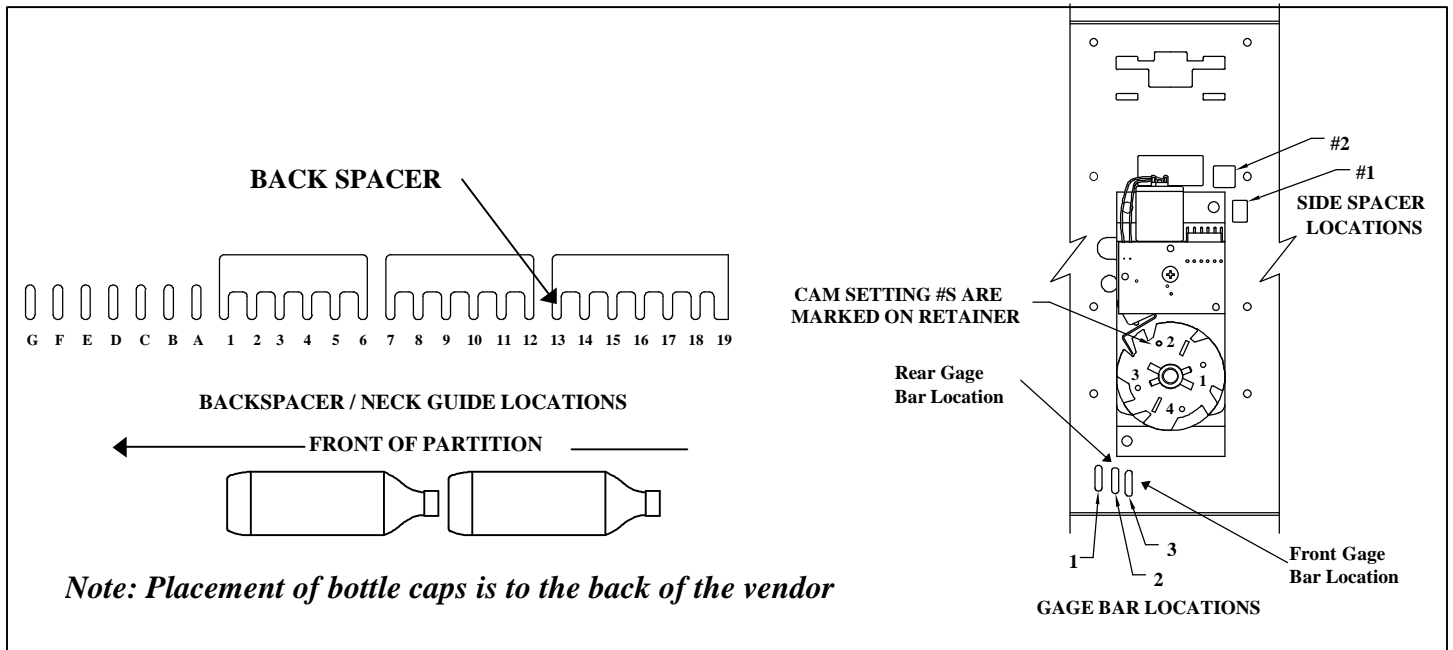
Column Setup

Cam Setting	Back Spacer	Neck Guide Locations	Gage Bar Clip Location	Gage Bar Location	Side Spacer	Sold Out Flap	Sold Out Spacer
2	13	N/A	C/1	#2	1078864 Loc. #2	1083449	1077457

Note: To properly vend product the V-Max must have the columns set up as illustrated.



Set Up Guide



FOR OTHER PRODUCT SET-UP GUIDES, CONTACT THE VENDO COMPANY.

TEL: (559) 439-1770 FAX: (559) 439-2083.

Installation Instruction #

Size: 16.9oz / 500ml

Rev. B Date

12/30/98

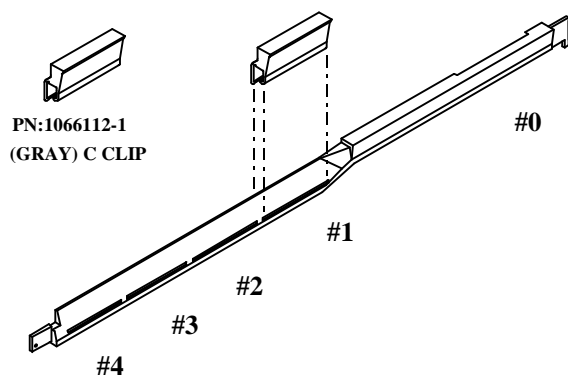
Pkg. Description/Type: MEMBER'S MARK

Franchise: BEVERAGE CANNERS, INT'L

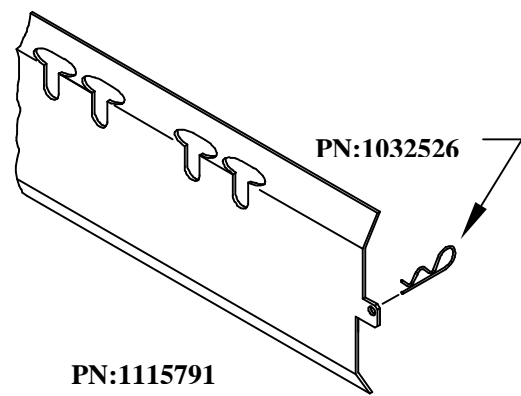
Column Setup

Cam Setting	Back Spacer	Neck Guide Locations	Gage Bar Clip Location	Gage Bar Location	Side Spacer	Sold Out Flap	Sold Out Spacer
2	14	N/A	C/1	#2	1115791 Loc. #1	Long	N/A

Note: To properly vend product the V-Max must have the columns set up as illustrated.

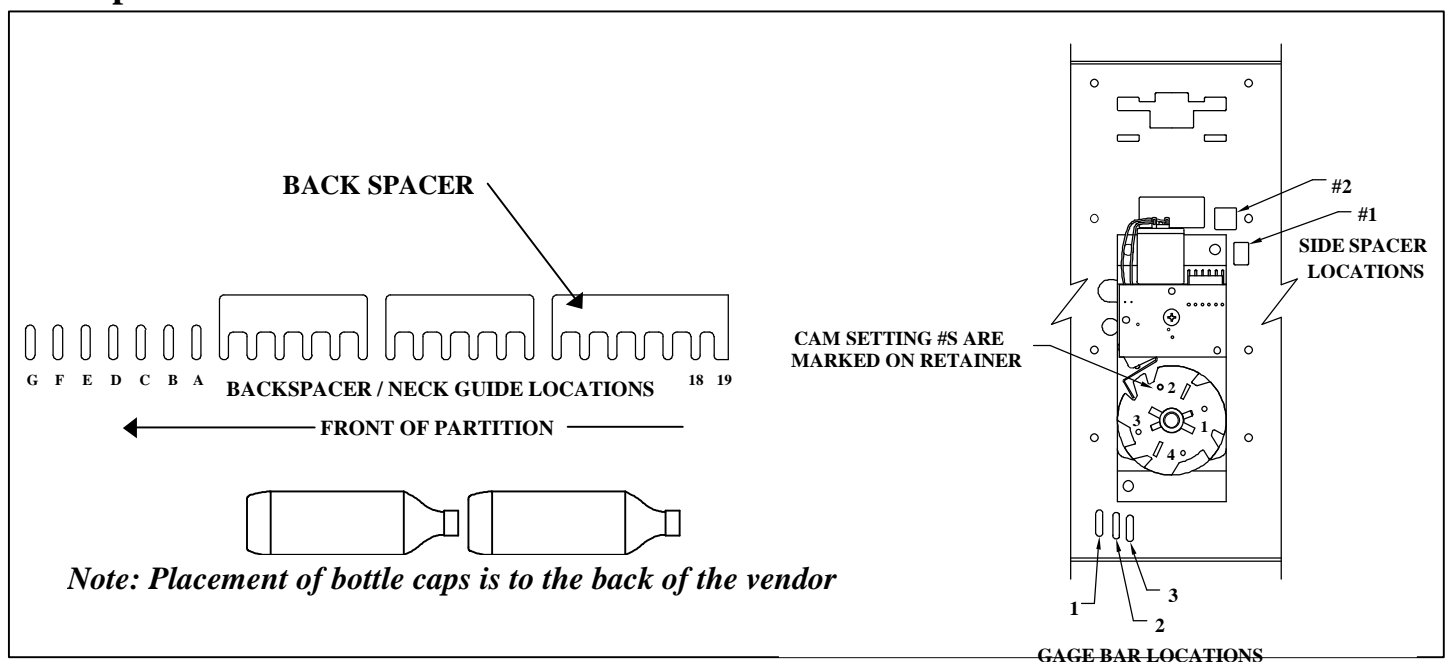


Gage Bar Clip Location



Spacer

Set Up Guide



FOR OTHER PRODUCT SET-UP GUIDES, CONTACT THE VENDO COMPANY.

Installation Instruction #1120087

TEL: (559)439-1770 FAX: (559) 439-2083.

Size: 500ml / 16.9oz

Rev. C Date 6/14/99

Pkg. Description/Type: CALISTOGA, ARROWHEAD, ZEPHYRHILLS, POLAND SPRING, DEER PARK, OZARKA

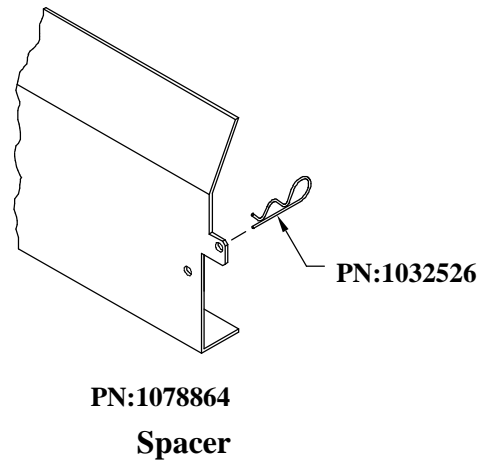
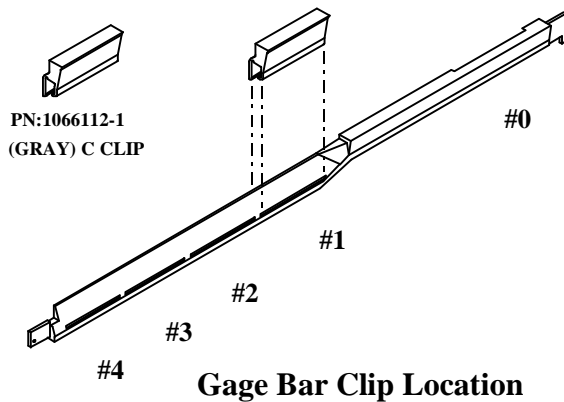
Franchise: PERRIER GROUP OF AMERICA

KIT#

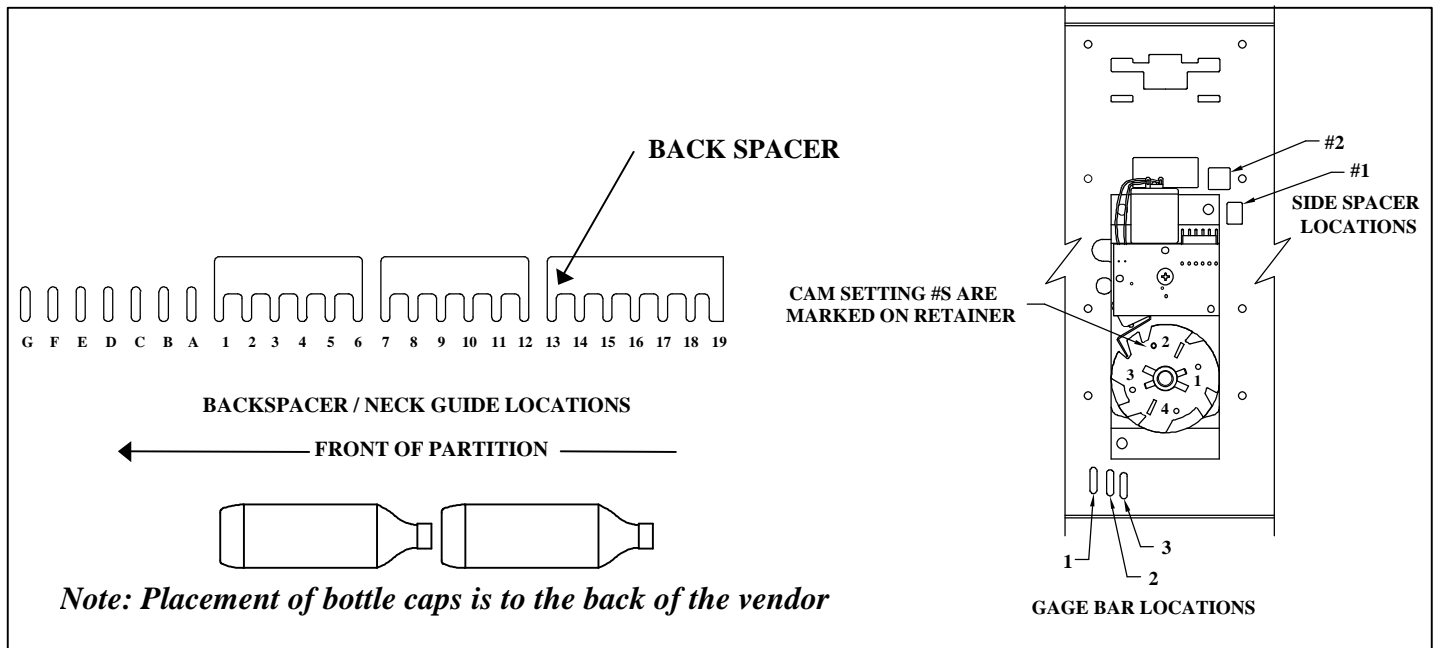
Column Setup

Cam Setting	Back Spacer	Neck Guide Locations	Gage Bar Clip Location	Gage Bar Location	Side Spacer	Sold Out Flap	Sold Out Spacer
2	13	N/A	C/1	#2	1078864 Loc. #2	Long	N/A

Note: To properly vend product the V-Max must have the columns set up as illustrated.



Set Up Guide



FOR OTHER PRODUCT SET-UP GUIDES, CONTACT THE VENDO COMPANY.
TEL: (559) 439-1770 FAX: (559) 650-3455.

Installation Instruction #

Size: 500ml / 16.9oz

Rev. A Date 12/05/00

Pkg. Description/Type: MONTCLAIR WATER

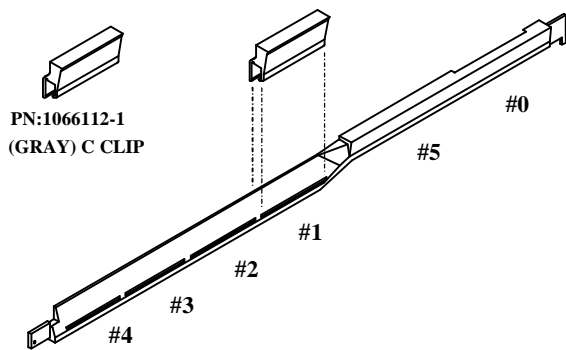
Franchise: PERRIER GROUP OF CANADA

KIT#

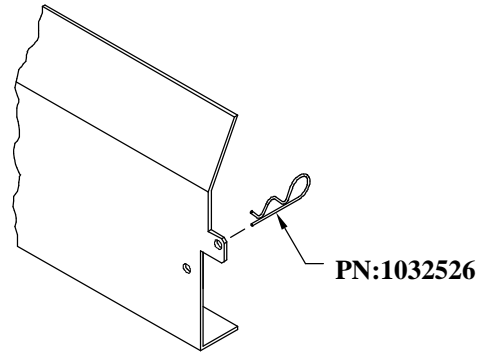
Column Setup

Cam Setting	Back Spacer	Neck Guide Locations	Gage Bar Clip Location	Gage Bar Location	Side Spacer	Sold Out Flap	Sold Out Spacer
2	13	N/A	C/1	#2	1078864 Loc. #2	Long	N/A

Note: To properly vend product the V-Max must have the columns set up as illustrated.

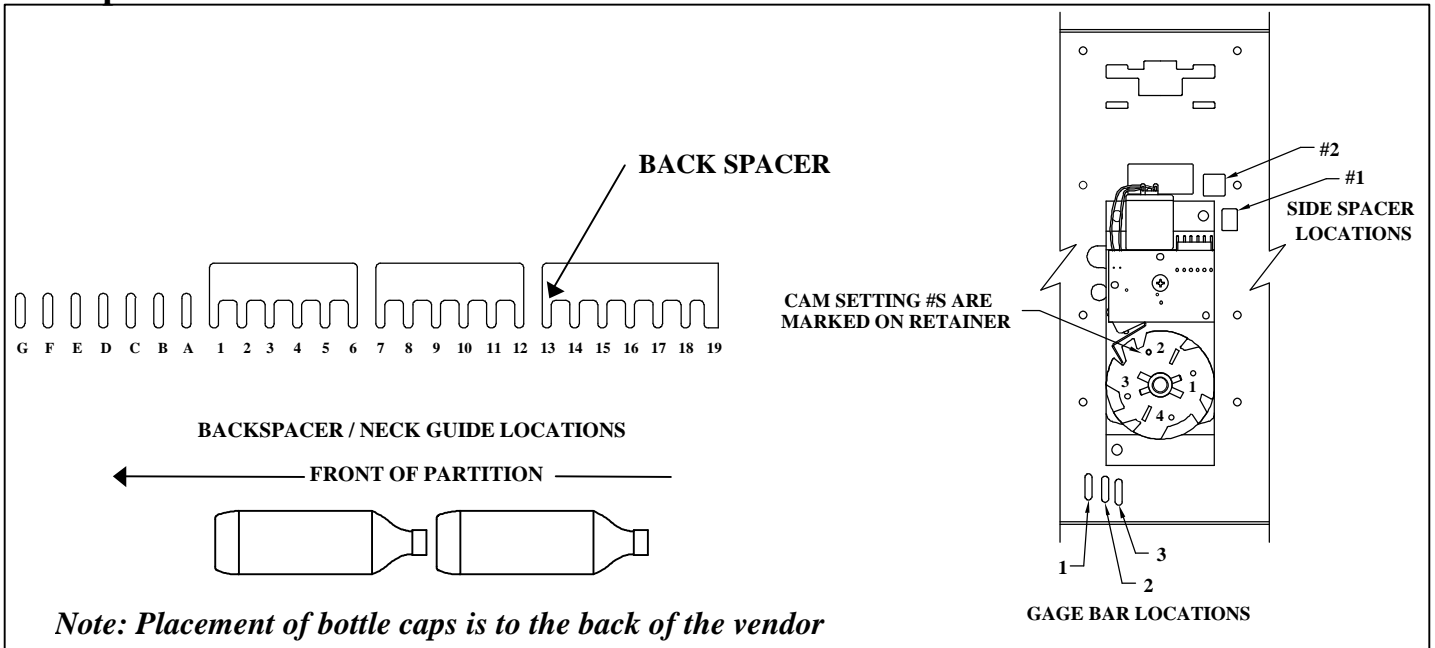


Gage Bar Clip Location



PN:1078864
Spacer

Set Up Guide



FOR OTHER PRODUCT SET-UP GUIDES, CONTACT THE VENDO COMPANY.
TEL: (559) 439-1770 FAX: (559) 650-3455.

Installation Instruction #

Size: 16oz / 473ml

Rev. B Date 02/28/01

Pkg. Description/Type: WELCH'S JUICE - PET

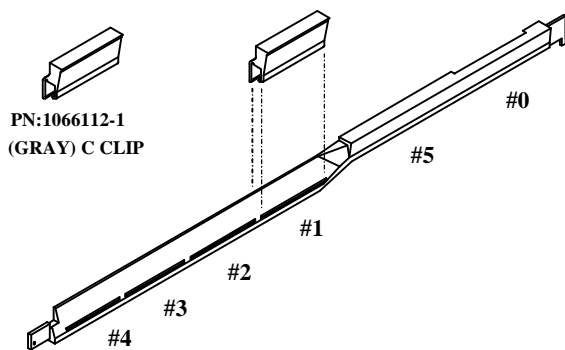
Franchise: WELCH'S

Kit#

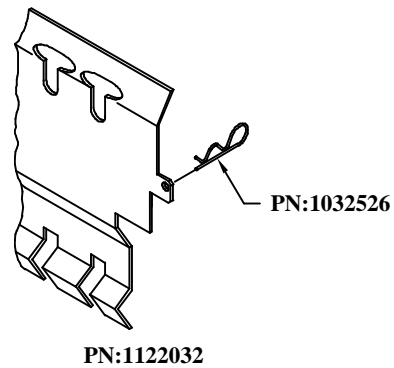
Column Setup

Cam Setting	Back Spacer	Neck Guide Locations	Gage Bar Clip Location	Gage Bar Location	Side Spacer	Sold Out Flap	Sold Out Spacer
2	12	N/A	C/1	#2	1122032 Loc. #1	1112163	N/A

Note: To properly vend product the V-Max must have the columns set up as illustrated.

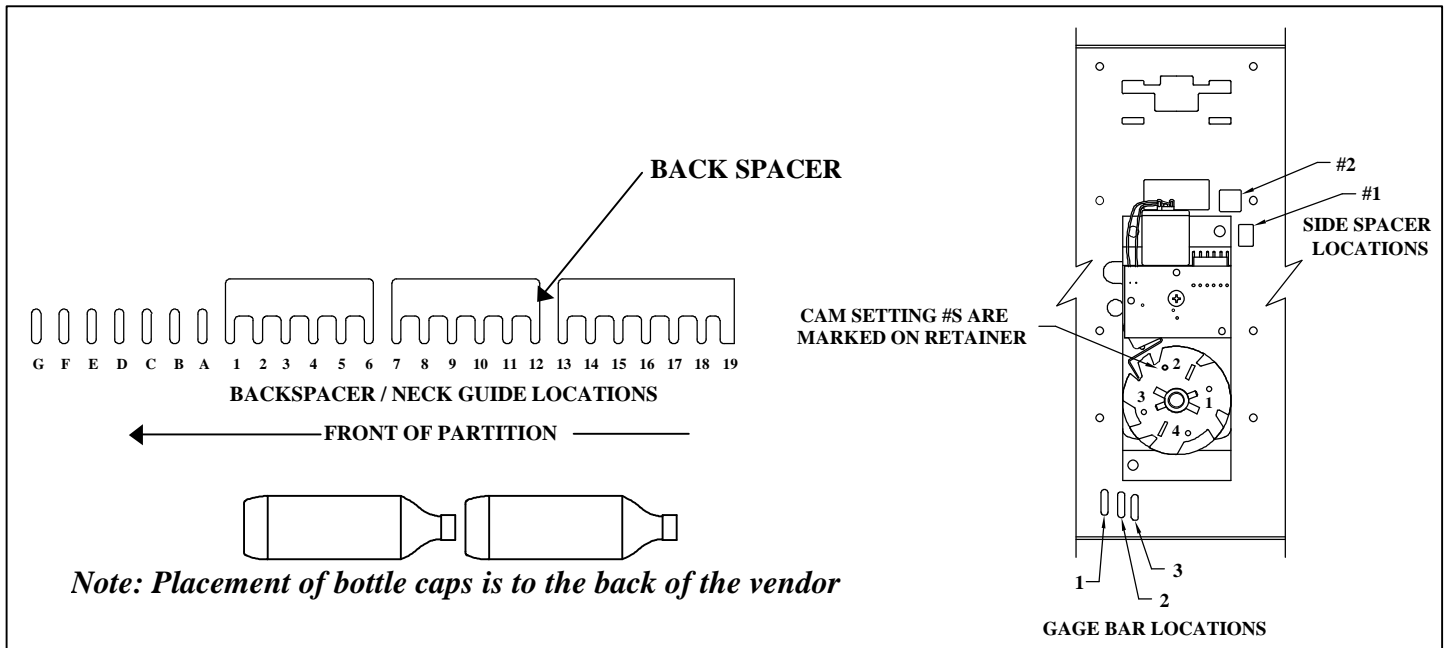


Gage Bar Clip Location



Spacer

Set Up Guide



FOR OTHER PRODUCT SET-UP GUIDES, CONTACT THE VENDO COMPANY.
TEL: (559) 439-1770 FAX: (559) 650-3455.

Installation Instruction #

Size: 16oz / 473ml
02/28/01

Rev. A Date

Pkg. Description/Type: WELCH'S FRUIT JUICE GLASS

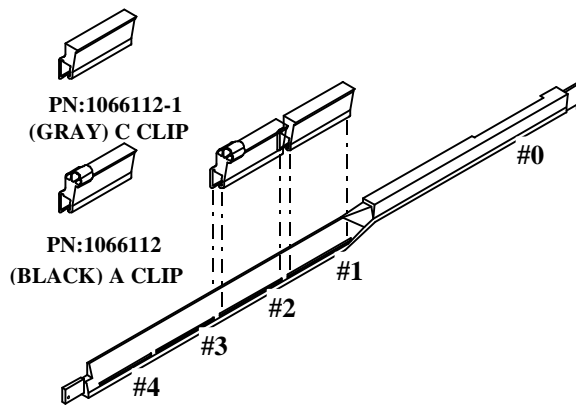
Franchise: WELCH'S

KIT# 1113228

Column Setup

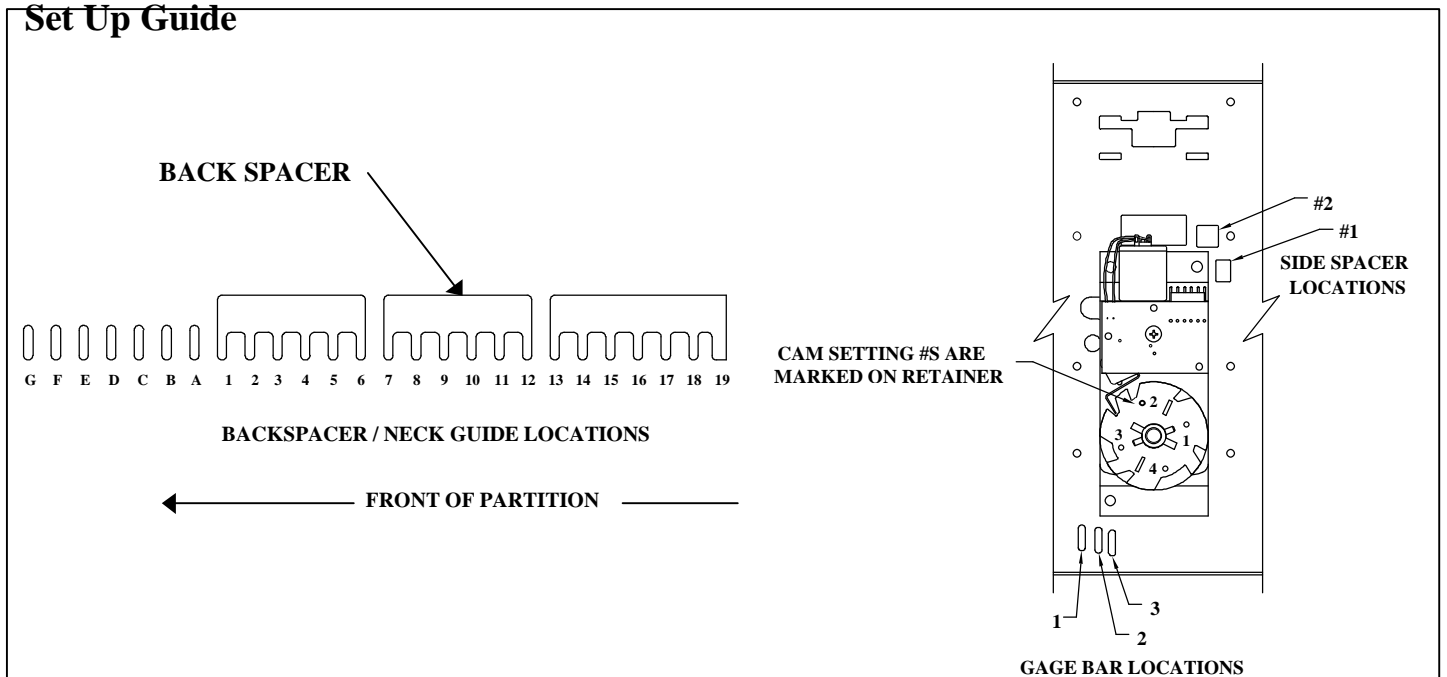
Cam Setting	Back Spacer	Neck Guide Locations	Gage Bar Clip Location	Gage Bar Location	Side Spacer	Sold Out Flap	Sold Out Spacer
2	10	N/A	C/#1 A/#2	#1	N/A	1112163	N/A

Note: To properly vend product the V-Max must have the columns set up as illustrated.



Gage Bar Clip Location

Set Up Guide



FOR OTHER PRODUCT SET-UP GUIDES, CONTACT THE VENDO COMPANY.
TEL: (209)439-1770 FAX: (209) 439-2083.

Installation Instruction #

Size: 16oz / 473ml
 Pkg. Description/Type: WIDE MOUTH NR GLASS
 Franchise: GENERIC

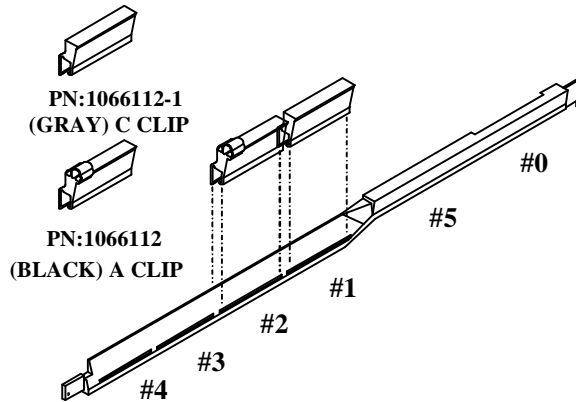
Rev. B Date 03/26/01

KIT# 1113228

Column Setup

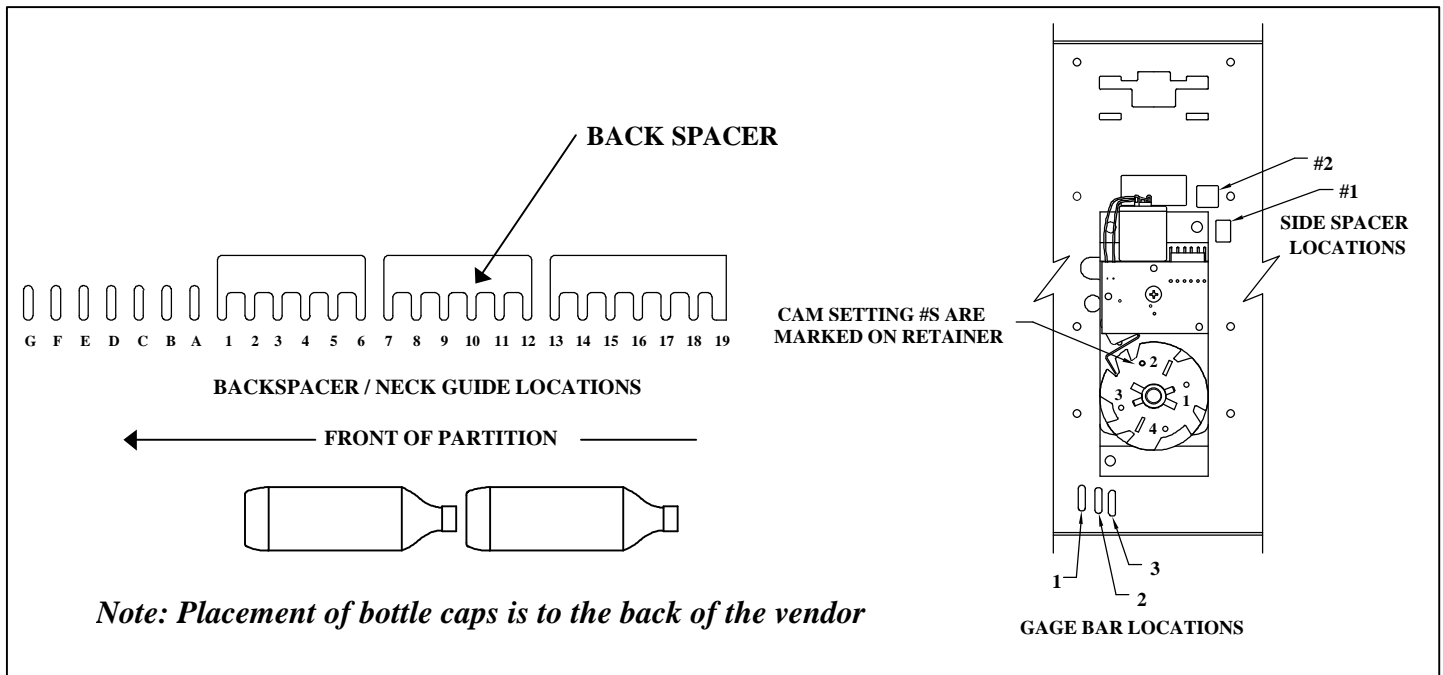
Cam Setting	Back Spacer	Neck Guide Locations	Gage Bar Clip Location	Gage Bar Location	Side Spacer	Sold Out Flap	Sold Out Spacer
2	10	N/A	C/#1 A/#2	#1	N/A	1112163	N/A

Note: To properly vend product the V-Max must have the columns set up as illustrated.



Gage Bar Clip Location

Set Up Guide



FOR OTHER PRODUCT SET-UP GUIDES, CONTACT THE VENDO COMPANY.
 TEL: (559) 439-1770 FAX: (559) 650-3455.

Installation Instruction #1118295

Test Report Number 141-2005 Vending Plus-Barbados
Report Dated: (Updated Dec 14, 2005)

SUMMARY OF TEST RESULTS:

Product Name: 20-oz PET see P/Ns
 Manufactured By: Vending Plus
 Bottle: 20 oz PET
 Size: See P/Ns

Tested at SandenVendo America, Inc.- Dallas, TX
 Test location: Engineering Test Lab
 Test Verified BY: Tony Motlagh - Engineering Test Lab

Item 1- 20-oz PET P/N: X-Z00-03-4855 Size: Length 9.06", Top OD 2.60", Bottom OD 2.61"

Machine set up	Uni-2 (79.5)	V-Max (840)	V-21 (821)	GFV (VUE 40)
Product Depth/Cam Setting	2 depth	2 depth	2 depth	8 per Tray
Back Spacer	13	16	9	N/A
Neck Guide Positions	P/N 11201453 (2 Pcs) - Installed in slots C & 13	P/N 1121028 (2 Pcs) - Installed in slots C & B in front and in slots 13 & 14 in the back of column		
Lower Partition Clip	P/N 1066112 (A1)	P/N A1(1066112)	Set Back	N/A
Side Shim Type	P/N 1060686	P/N 1078848 (3 Pcs)	N/A	N/A
Gage Bar Position	1	2	N/A	N/A
Total Test Column Quantity	10	10	10	All trays
Ambient Temperature	72	72	72	73
Package Temperature	36	36	36	37
Humidity	46	46	46	46
Max Prd can Stacked in Col	17 per	22	36	8
Orientation in Column	Cap to Butt	Cap to Butt	Cap to Butt	N/A
Total Product Vend	1,000	1,000	575	320
Test Results	Passed	Passed	Passed	Passed

Item 2- 20-oz PET P/N: X-Z00-03-4857

Length 9.08", Top OD 2.59", Bottom OD 2.65"

Machine set up	Uni-2 (79.5)	V-Max (840)	V-21 (821)	GFV (VUE 40)
Product Depth/Cam Setting	2 depth	2 depth	2 depth	8 per Tray
Back Spacer	13	16	9	N/A
Lower Partition Clip	P/N 1066112 (A1)	P/N 1066112 (A1)	set back	N/A
Side Shim Type	P/N 1060686	P/N 1078848 (3 Pcs)	N/A	N/A
Neck Guide Position	P/N 1120453 (2 Pcs) - Installed in slots C & 13	P/N 1121028 (2 Pcs) - Installed in slots C & B in front and in slots 13 & 14 in the back of column		
Gage Bar Position	2	1	N/A	N/A
Total Test Column Quantity	10	10	10	All trays
Ambient Temperature	73	72	73	73
Package Temperature	36	36	37	37
Humidity	46	46	46	46
Max Prd can Stacked in Col	38	22	36	8
Orientation in Column	Cap to Butt	Cap to Butt	Cap to Butt	N/A
Total Product Vend	1,000	1,000	575	320
Test Results	Passed	Passed	Passed	Passed

Item 3- 20-oz PET P/N: X-Z00-03-4861

Length 8.94", Top OD 2.57", Bottom OD 2.61"

Machine set up	Uni-2 (79.5)	V-Max (840)	V-21 (821)	GFV (VUE 40)
Product Depth/Cam Setting	2 depth	2 depth	2 depth	8 per tray
Back Spacer	13	16	9	N/A
Lower Partition Clip	P/N 1066112 (A1)	P/N 1066112 (A1)	Set Back	N/A

Neck Guide Position	P/N 1120453 (2 Pcs) - Installed in slots C & 13	P/N 1121028 (2 Pcs) - Installed in slots C & B in front and in slots 13 & 14 in the back of column		
Side Shim Type	P/N 1073589	P/N 1078848 (3 Pcs)	N/A	N/A
Gage Bar Position	2	2	N/A	N/A
Total Test Column Quantity	10	10	10	All trays
Ambient Temperature	72	72	72	73
Package Temperature	36	36	37	36
Humidity	46	46	46	46
Max Prd can Stacked in Col	38	22	34	8
Orientation in Column	Cap to Butt	Cap to Butt	Cap To Butt	N/A
Total Product Vend	1,000	1,000	500	320
Test Results	Passed	Passed	Passed	Passed

Size: 24oz / 709ml

Rev. A Date 04/17/01

Pkg. Description/Type: 24oz /709ml LOTSA PET

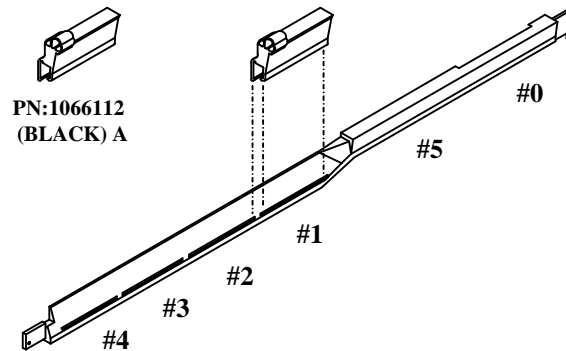
Franchise: METRO BEVERAGE

KIT#

Column Setup

Cam Setting	Back Spacer	Neck Guide Locations	Gage Bar Clip Location	Gage Bar Location	Side Spacer	Sold Out Flap	Sold Out Spacer
2	17	N/A	A/#1	#1	N/A	Long	N/A

Note: To properly vend product the V-Max must have the columns set up as illustrated.



Gage Bar Clip Location

Set Up Guide

BACK SPACER

BACKSPACER / NECK GUIDE LOCATIONS

← FRONT OF PARTITION →

Note: Placement of bottle caps is to the back of the vendor

CAM SETTING #S ARE MARKED ON RETAINER

SIDE SPACER LOCATIONS

GAGE BAR LOCATIONS

FOR OTHER PRODUCT SET-UP GUIDES, CONTACT THE VENDO COMPANY.
 TEL: (209) 439-1770 FAX: (559) 650-3455.

Size: 24oz

Rev. A Date 6/24/03

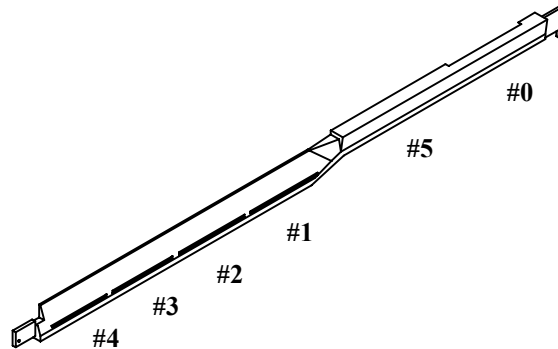
Pkg. Description/Type: Ozarka Water – Sports Cap

Franchise: Nestle Waters

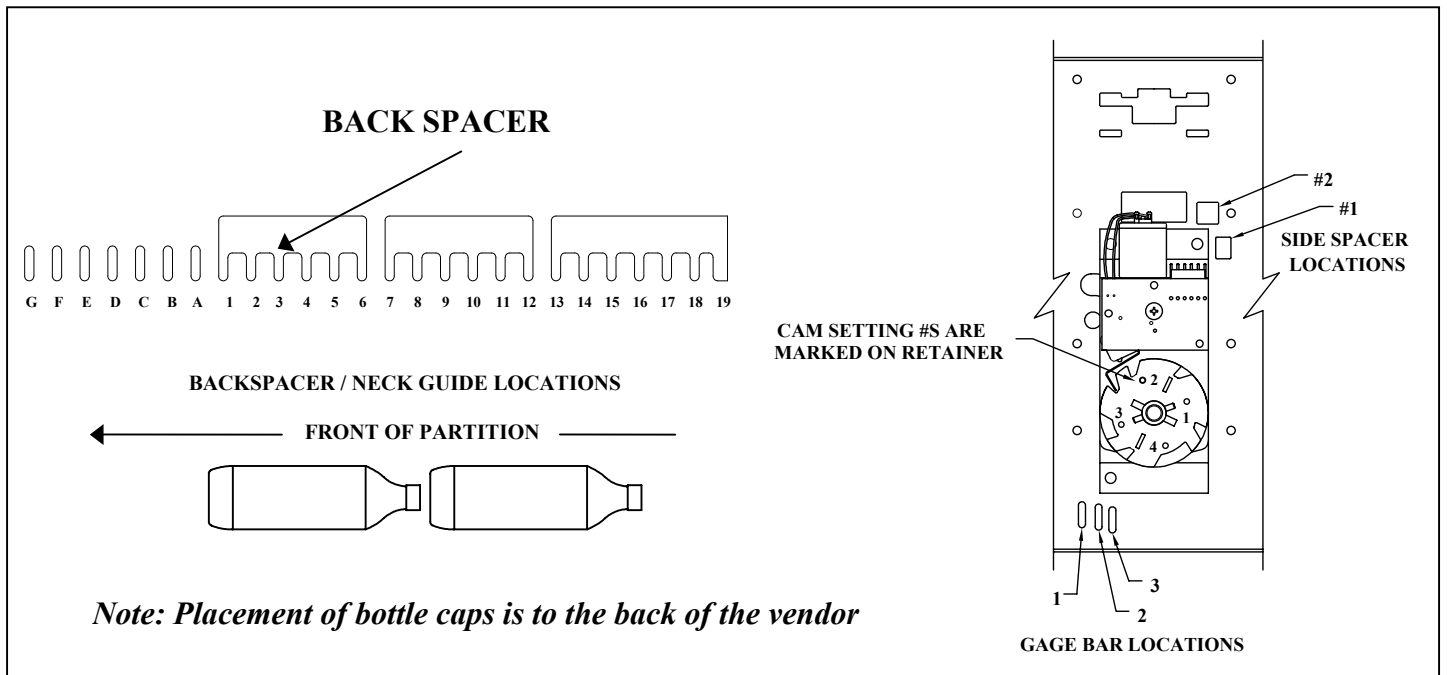
Column Setup

Cam Setting	Back Spacer	Neck Guide Locations	Gage Bar Clip Location	Gage Bar Location	Side Spacer	Sold Out Flap	Sold Out Spacer
1	3	N/A	N/A	#1	N/A	Long	N/A

Note: To properly vend product the V-Max must have the columns set up as illustrated.



Set Up Guide



Note: Placement of bottle caps is to the back of the vendor

FOR OTHER PRODUCT SET-UP GUIDES, CONTACT THE VENDO COMPANY.

TEL: (209) 439-1770 FAX: (559) 650-3455.

Vendo[®] Engineering 540/720 V-Max Set Up Guide

Size: 8.3 oz / 250ML 2.09 x 5.29 (53mm x 134mm)

Rev. A Date 01/22/01

Pkg. Description/Type: RED BULL

Franchise: RED BULL

KIT#1122282

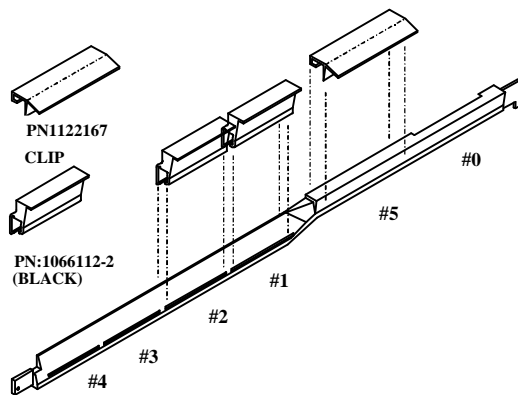
Column Setup

Cam Setting	Back Spacer	Neck Guide Location	Gage Bar Clip Location	Gage Bar Location	Magnetic Column Spacer (*)	Side Spacer	Sold Out Flap	Sold Out Spacer
3	13	N/A	See Detail	#2 Front #3 Back	1 pkg of 2 1114348-7	1122166 Loc. #2	Short 1083449	1077457

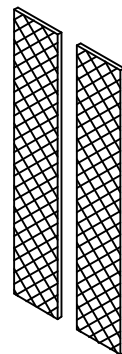
Note: To properly vend product the V-Max must have the columns set up as illustrated.

The 250ml product must be vended on the right side of mixed product. (Jam will occur if adjacent right gage bar is in slot #1)

*Install magnetic column spacers into right side of partition above product side spacer (See Figure 1 for installation detail)

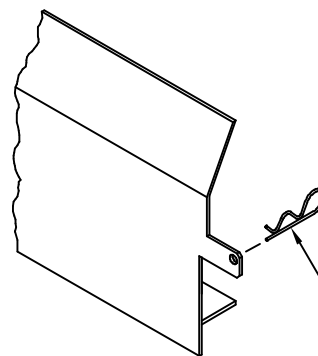


Gage Bar Clip Location



PN:1114348-7

Column Spacers

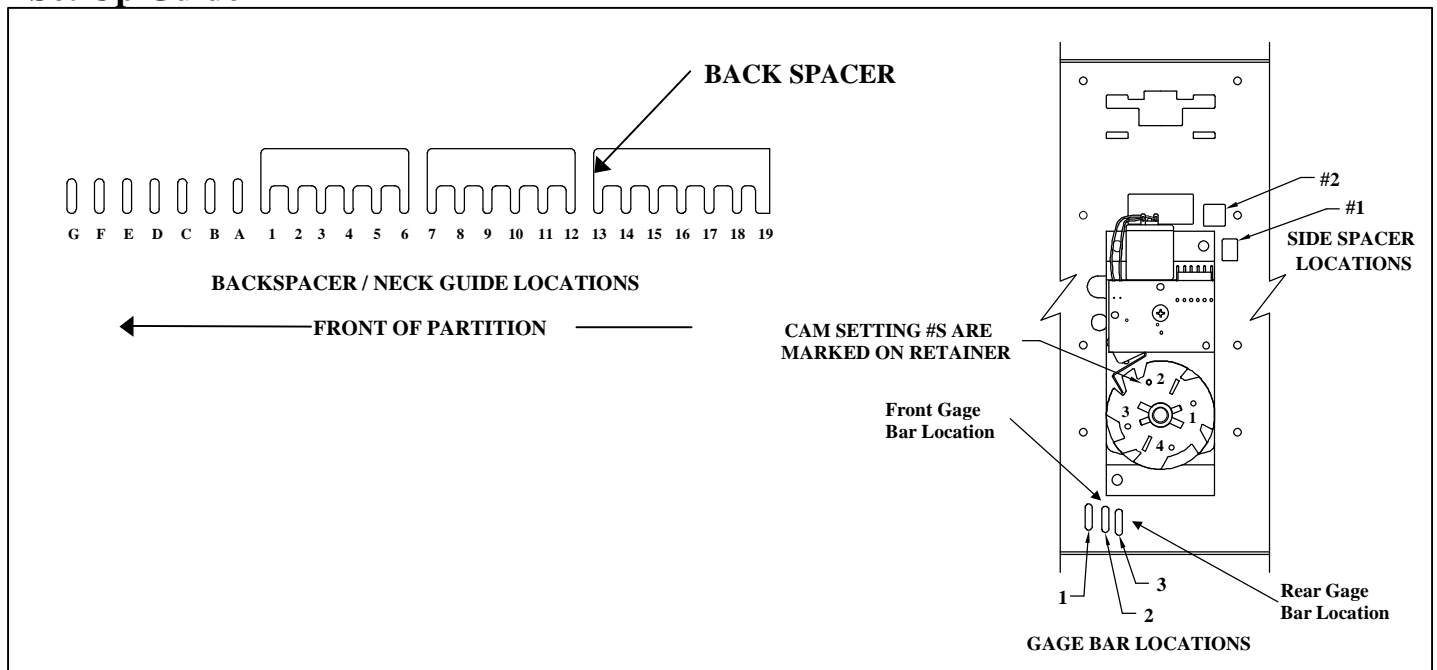


PN:1122166

Spacer

PN:1032526
TYP

Set Up Guide



FOR OTHER PRODUCT SET-UP GUIDES, CONTACT THE VENDO COMPANY.

TEL: (559) 439-1770 FAX: (559) 650-3455.

Installation Instruction #1122283

Caution: *Disconnect power cord from power source before beginning installation*

Installation (see Figure 1)

- Step #1** Locate Back Spacer into position #13.
- Step #2** Install .74 product side spacer (P/N1122166).
- Step #3** Install pkg. of two 38" long magnetic foam pads (P/N1114348-7) on the right side partition.
Locate pads as shown in Figure 1 above the .74 product side spacer (P/N1122166)

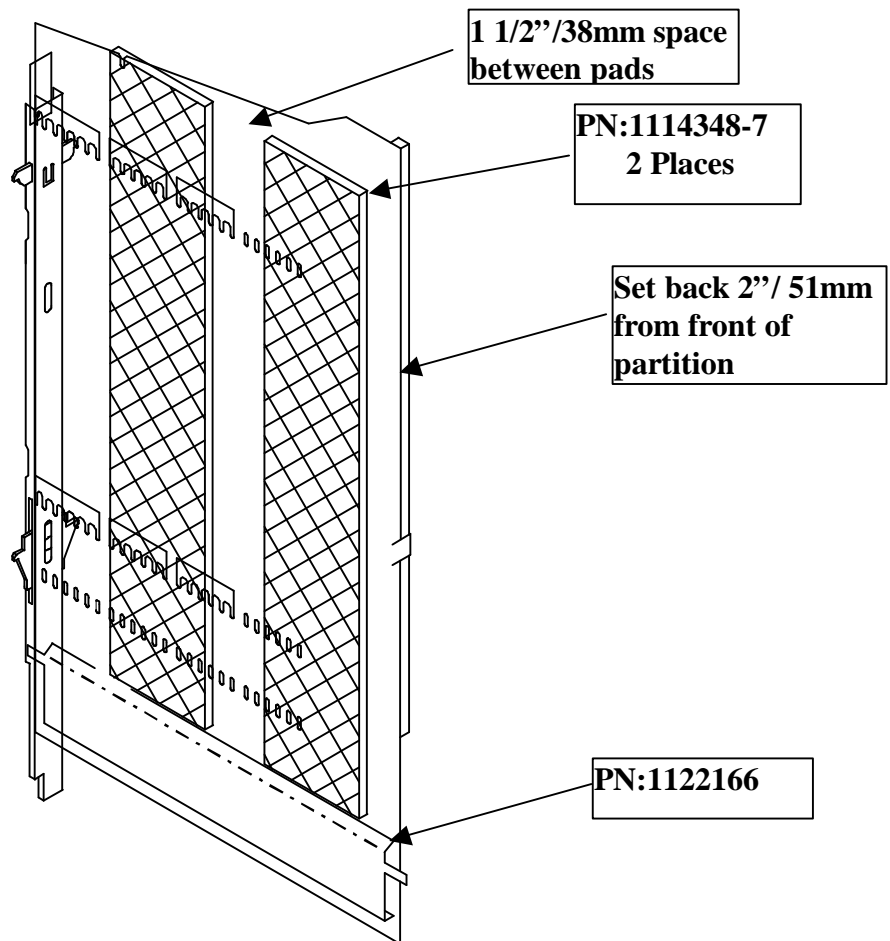


Figure 1

Right Side Partition