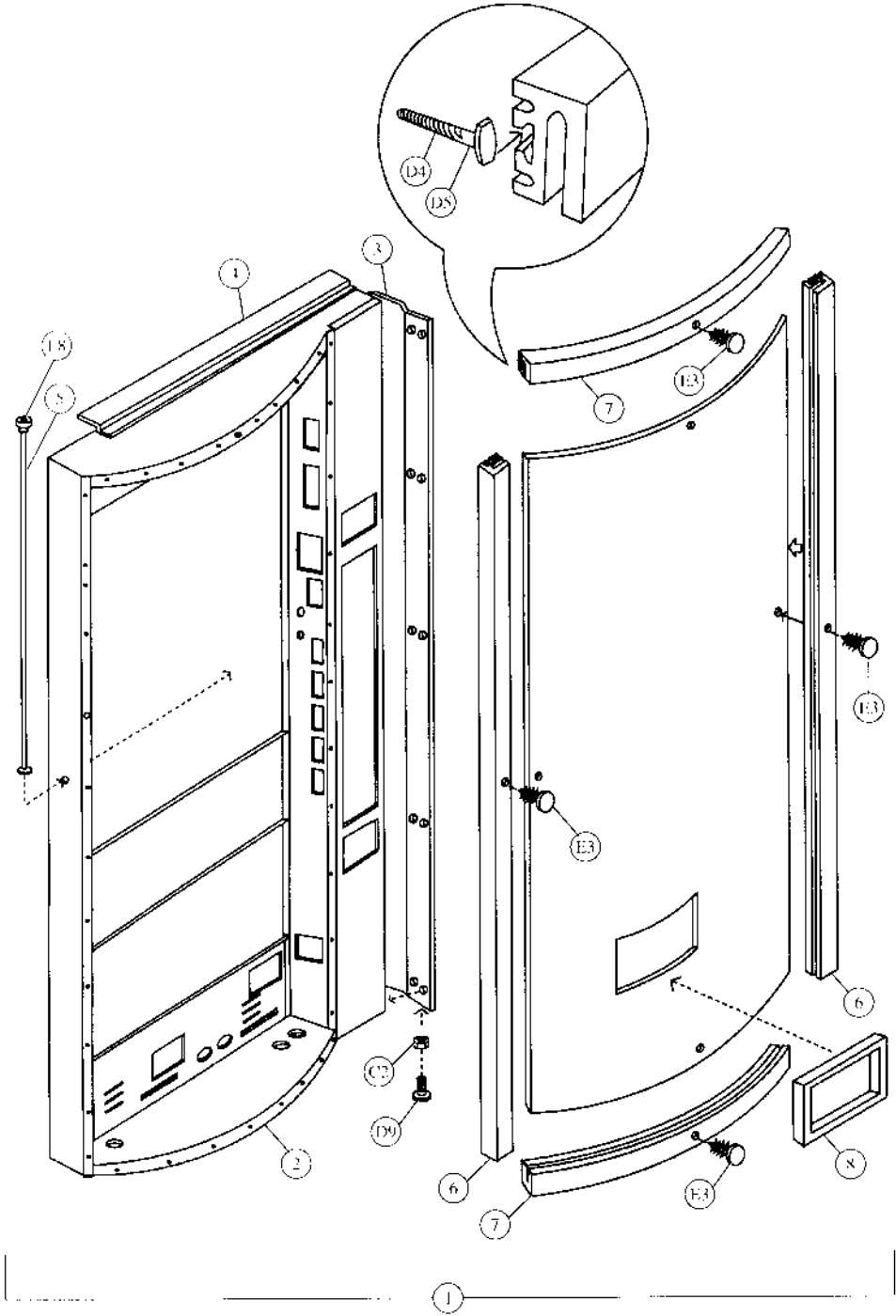




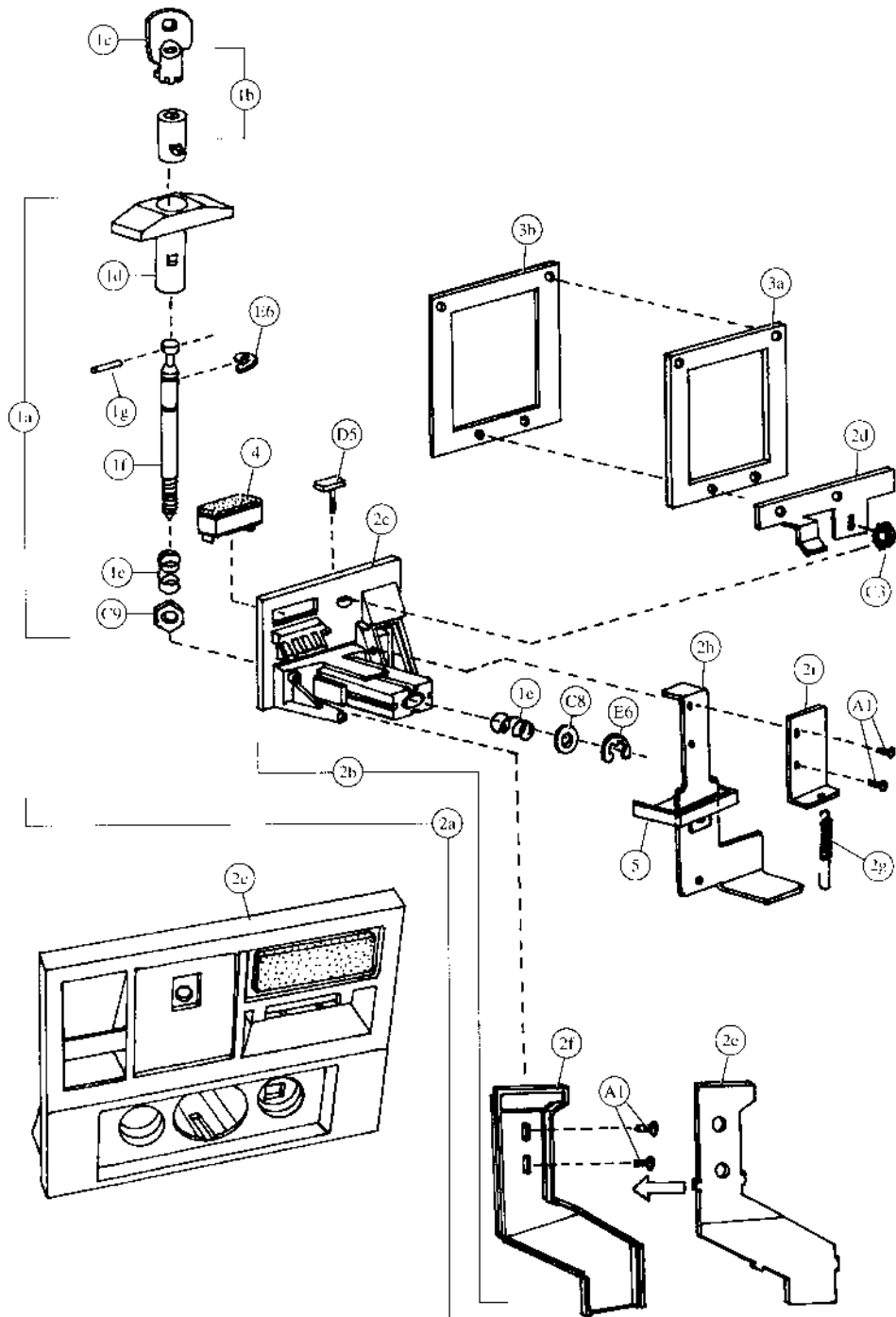
**Pepsi (Magnum Cir.)
DNCB 360MC & 360WS**

Dimensions	72" H x 37 1/6" W x 30 1/2" D (1829mm H x 940mm W x 775mm D)
Dimensions Less Door	72" H x 37 1/6" W x 27 1/2" D (1829mm H x 940mm W x 698mm D)
Approximate Weight	634 lbs. (288kg)
Selections/Columns	6/6
Total 12 oz. (330ml) Cans Capacity/Vend	372/360
Column Capacity 12 oz. (330ml) Cans	6 Double Columns - 62 Each

Main Door - Exterior - Pepsi (Magnum Circular)



Pull-Out Handle & Coin Insert - Pepsi (Magnum Circular)

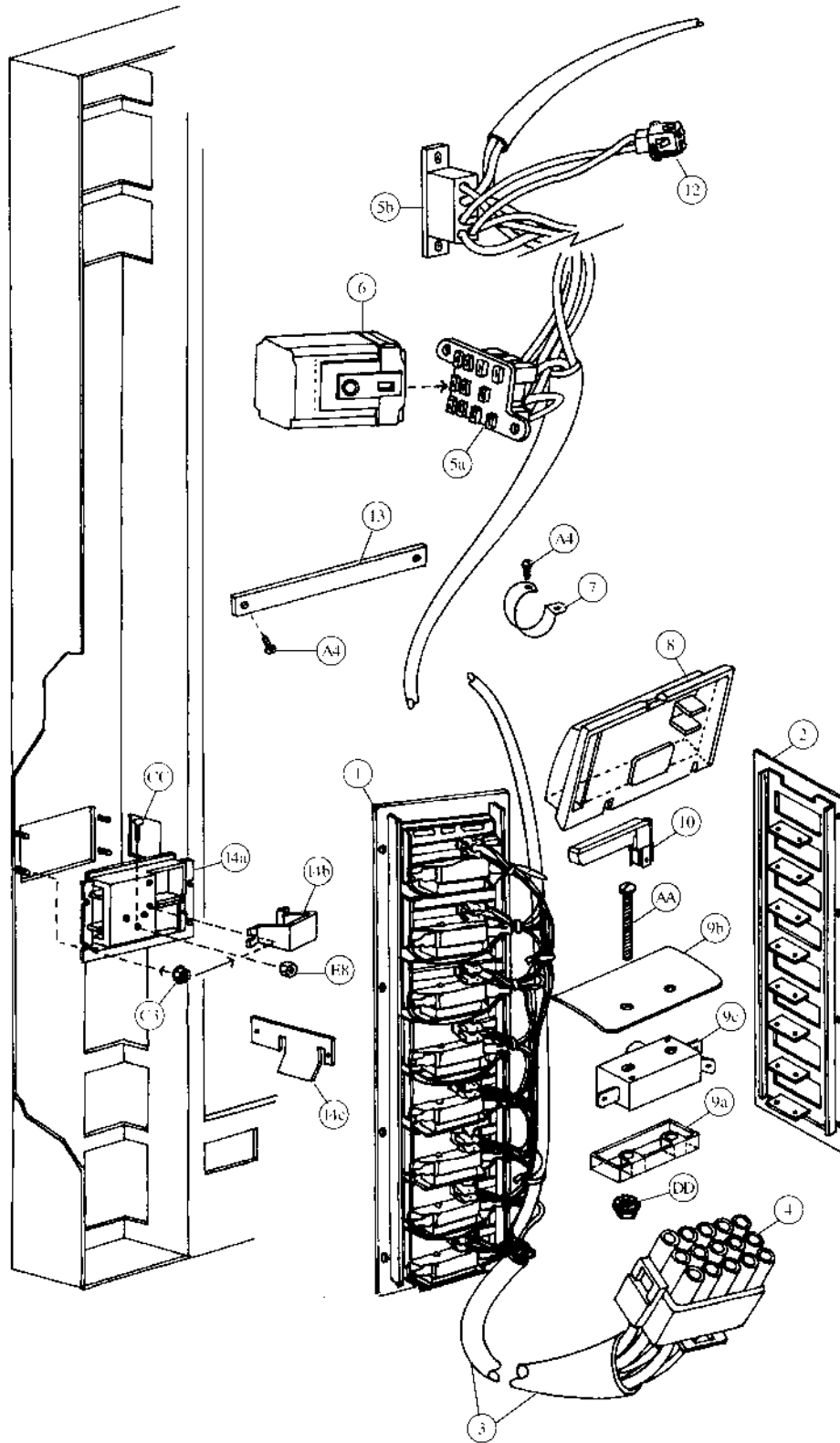


Pull-Out Handle & Coin Insert - Pepsi (Magnum Circular)

Item	Part Number	Part Name And Description
1a	801,503,040.01	T-Handle Assembly
1b	Specify key number	Lock with Two Keys
1c	Specify key number	Key Only
1d	801,505,730.01	Handle Only
1e	901,503,050.01	Spring
1f	4255-6-44W	Stud
1g	901,503,090.11	Cross Pin
2a	See list below	Coin Insert Assembly with T-Handle
	480,150,600.04	Domestic (USA & Canada)
2b	See list below	Coin Insert Assembly without T-Handle
	480,150,500.03	Domestic (USA & Canada)
	480,250,500.03	Export (all others except listed below)
	480,450,500.03	Mexico
	480,650,500.03	Argentina - Token
2c	See list below	Coin Insert
	801,201,180.31	Domestic (USA & Canada)
	801,201,190.41	Export (all others except listed below)
	801,201,290.21	Mexico
	801,201,350.11	Argentina - Token
2d	506,050,020.13	Coin Insert Retainer
2e	801,805,800.31	Coin Chute Cover
2f	801,805,790.61	Coin Chute
2g	901,700,630.11	Spring Extension
2h	453,050,800.03	Coin Return Plunger Assembly
2i	432,050,570.33	Plunger Bracket
3a	360,050,720.53	Validator Plate
3b	902,001,110.21	Gasket Validator (black)
4	See list below	Correct Change Lamp
	904,700,180.31	English "Use Correct Change"
	804,700,500.01	English, IEC Standard "Use Correct Change"
	804,700,440.01	Spanish "Importe Exacto"
	804,700,450.01	French "Faites L'Appoint"
	804,700,400.01	Italian "Usare Monete Contate"
	804,700,470.01	Arabic "Lutfen Para Atiniz"
	804,700,480.01	German "Abgezahltes Geld Verwenden"
	904,700,490.01	Portuguese "Introduza Quantia Exacta"
5	801,806,080.01	Drip Chute

16	901,503,070.01	E Ring
C8	901,503,060.01	Flat Washer
C9	901,503,080.01	Hex Washer
A1	900,301,700.01	Sems Screw #6 - 32 x 3/8 (4)
C3	900,800,500.01	Keps Nut #8 - 32 (4)
D5	900,400,350.31	T-Bolt #8 - 32 x 3/4

Select Panel - Pepsi (Magnum Circular)

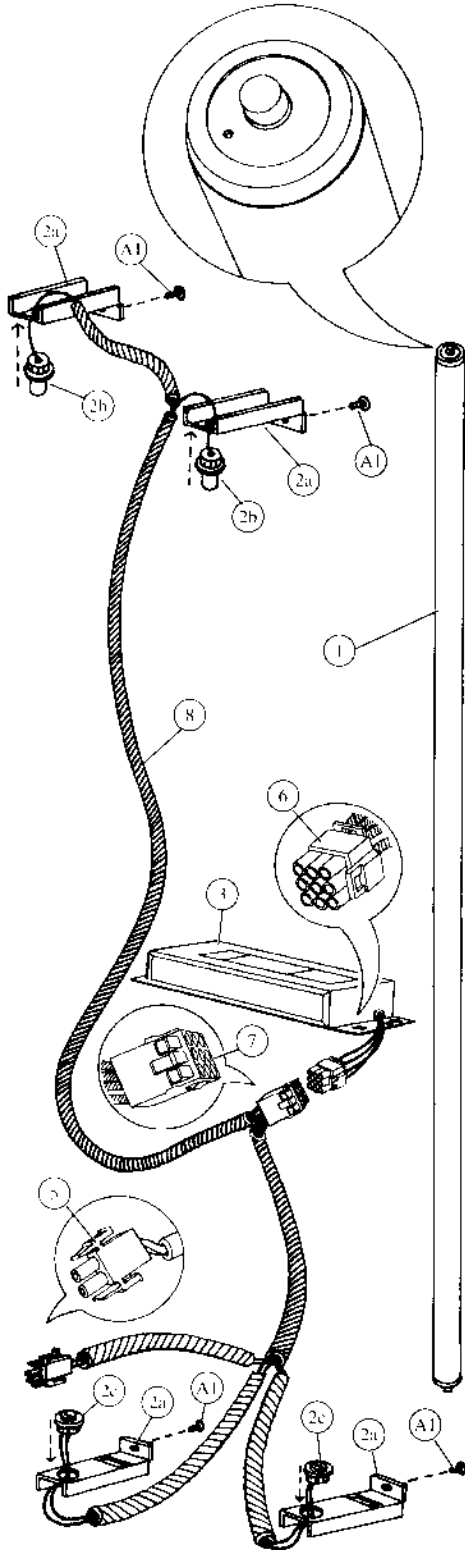


Select Panel - Pepsi (Magnum Circular)

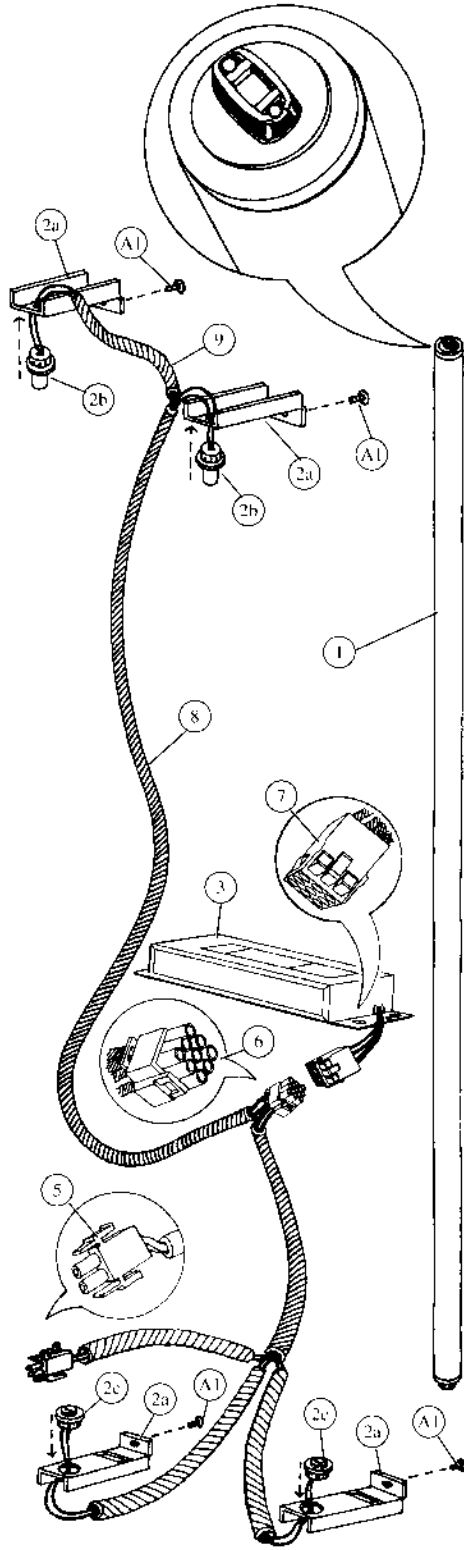
Item	Part Number	Part Name And Description
1	488,050,300.03	Select Panel Assembly (specify harness)
2	488,050,200.03	Select Panel, w/a
3	See list below	Door Harness (6 select)
	804,903,710.11	Single Price & Single Price - IEC Standard
	804,903,840.11	Two Price & Two Price - IEC Standard
	804,904,010.11	Four Price & Four Price - IEC Standard
4	904,600,830.01	15-Way Plug
5a	904,600,620.01	Socket, Relay
5b	904,600,600.01	Socket, Coin Changer
6	804,200,170.01	Vend Relay (single price only)
7	901,901,890.01	1" Clamp
8	801,805,110.01	Button (small rectangle)
9a	801,804,540.21	Button Stop
9b	801,804,620.11	Switch Shield & Spring, Mylar
9c	804,100,510.21	Select Switch (Unimax A401)
10	804,700,210.01	Sold Out Lamp
11	Indicate Flavor	Flavor Cards (not shown)
12	904,600,700.01	2-Way Cap
13	453,050,140.03	Door Strap
14a	801,805,610.11	Change Cup & Opener Bezel
14b	801,805,530.21	Change Cup
14c	399,050,270.13	Opener Housing Reinforcement Plate
15	901,000,190.01	Crown Puller (not shown)
16	432,050,400.03	Crown Catcher (not shown)
17	432,050,280.33	Crown Chute (not shown)

DD	900,800,490.01	Keps Nut #6 - 32 (12)
CC	900,201,220.11	Machine Screw #8 - 32 x 3/4
E8	900,800,510.01	Elastic Stop Nut #8 - 32
A4	900,301,500.01	Screw, Phil Pan #8 - 18 x 1/2 (2)
A9	900,301,560.01	Sems Screw #8 - 32 x 3/8 (7)
D3	900,400,430.01	T-Bolt #8 - 32 x 1 (4)
C3	900,800,500.01	Keps Nut #8 - 32 (14)
AA	900,201,310.01	Screw #6 - 32 x 1 1/4 (20)

Lighting - Pepsi (Magnum Circular)



Slimline



High-Output

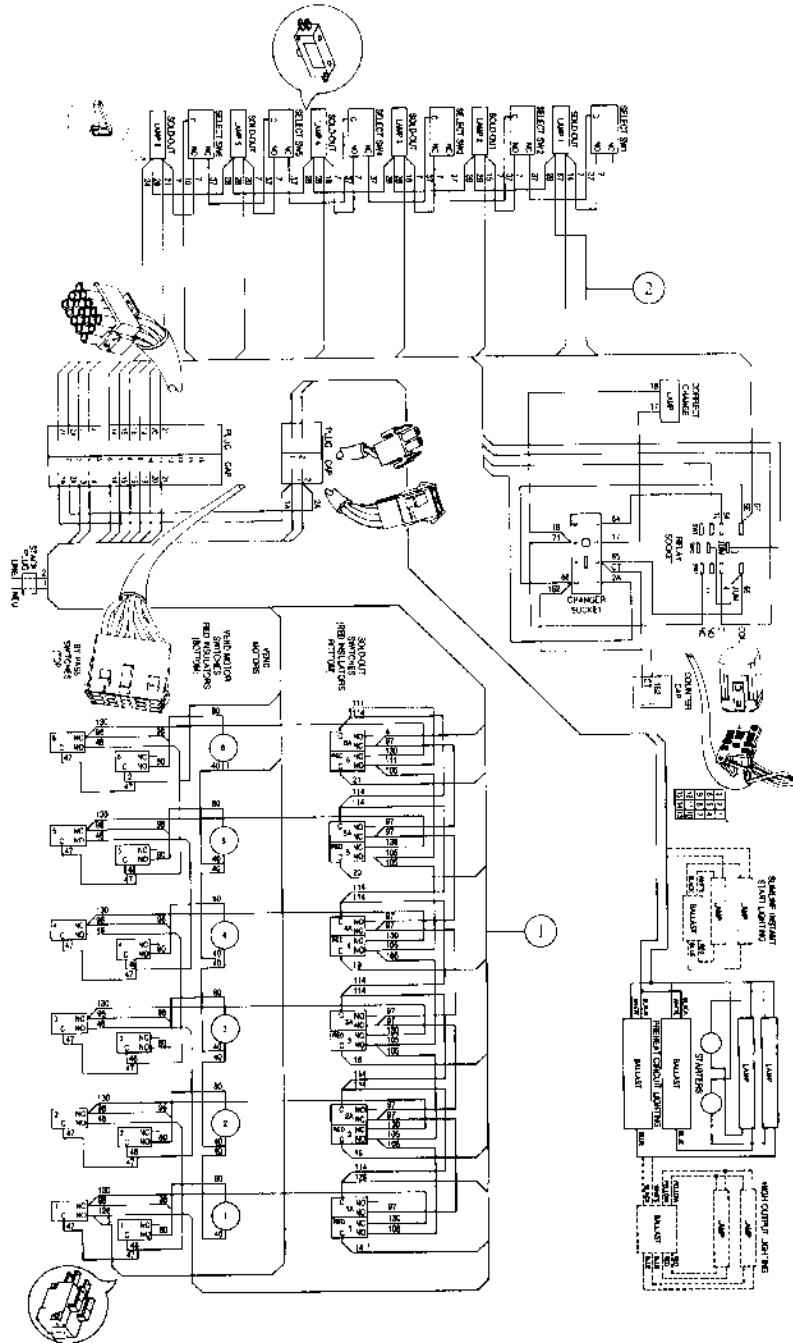
Lighting - Pepsi (Magnum Circular)

Item	Part Number	Part Name And Description
High-Output Lighting		
1	804,700,370.01	Fluorescent Bulb - F64T12/D/HO
2a	432,050,380.63	Door Bracket Lamp Socket
2b	804,901,990.01	Top Lamp Holders - 523
2c	804,902,000.01	Bottom Lamp Holders - 524
3	804,400,380.01	Plug-In Ballast, Advance #VSM/HO
4	904,800,520.01	Connector, Electrical (scotchlock 557)(not shown)
5	904,600,710.01	2-Way Plug
6	904,600,670.01	9-Way Plug
7	904,600,660.01	9-Way Cap
8	804,904,510.21	Plug-In Ballast Harness, High Output
9	804,904,920.21	Lamp Fixture Jumper, High Output

Slimline Lighting		
1	804,700,300.01	Fluorescent Bulb - F64T12/DAYLT
2a	432,050,380.63	Door Bracket Lamp Socket
2b	804,902,020.01	Top Lamp Holders - 516
2c	804,902,030.01	Bottom Lamp Holders - 517
3	804,400,370.11	Plug-In Ballast, Slimline
4	904,800,520.01	Connector, Electrical (scotchlock 557)(not shown)
5	904,600,710.01	2-Way Plug
6	904,600,670.01	9-Way Plug
7	904,600,660.01	9-Way Cap
8	804,904,600.51	Plug-In Ballast Harness, Slimline

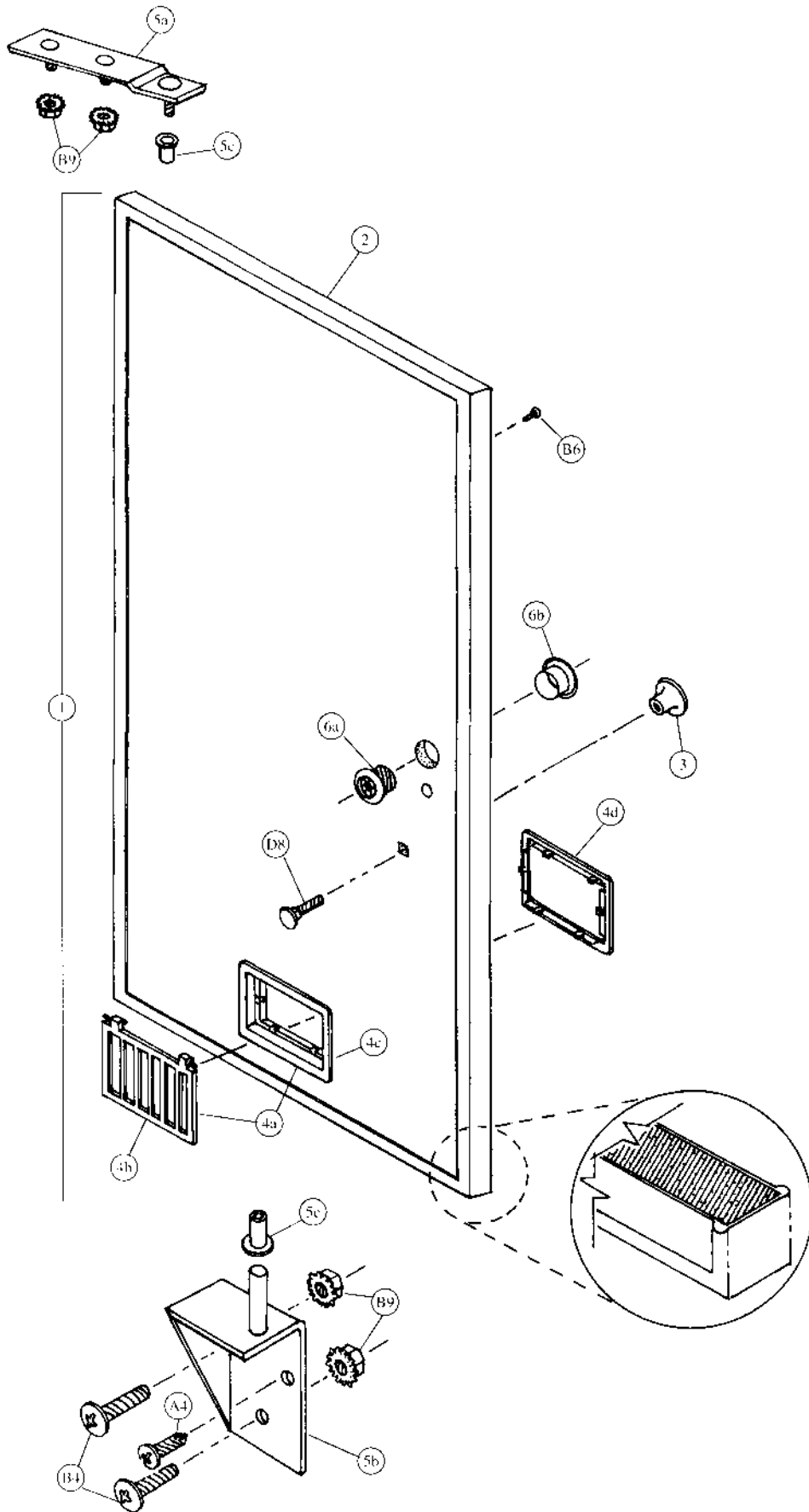
A1	900,301,700.01	Sheet Metal Screw #6 - 32 x 3/8 (4)
----	----------------	-------------------------------------

Wiring Harness - Pepsi (Magnum Circular)



Sample Diagram
6 Column Adaptable, Single Price

Inner Door - Pepsi (Magnum Circular)

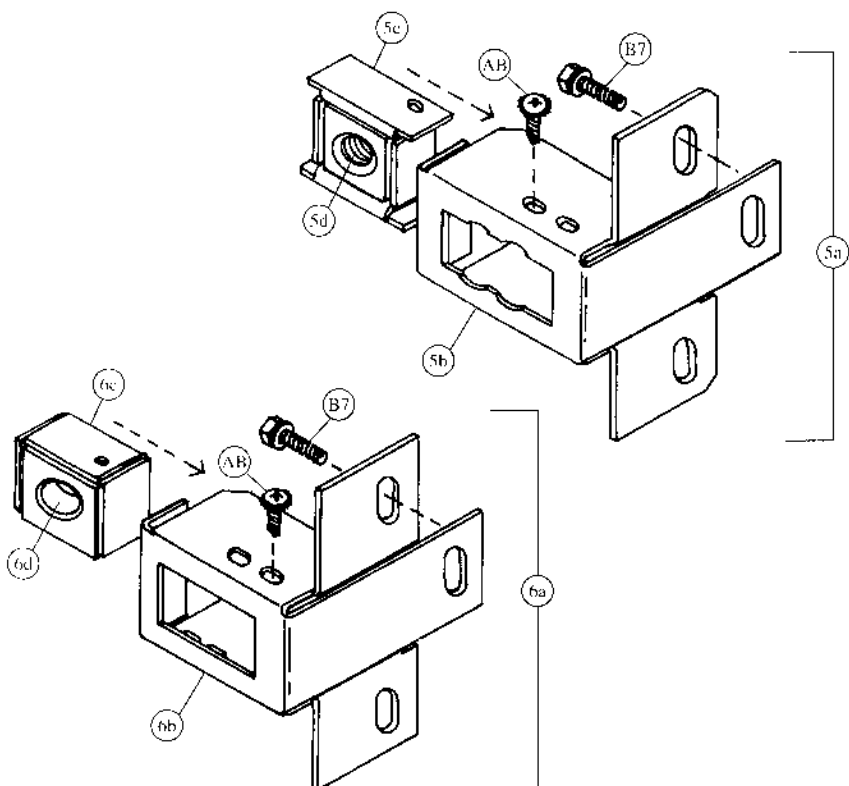
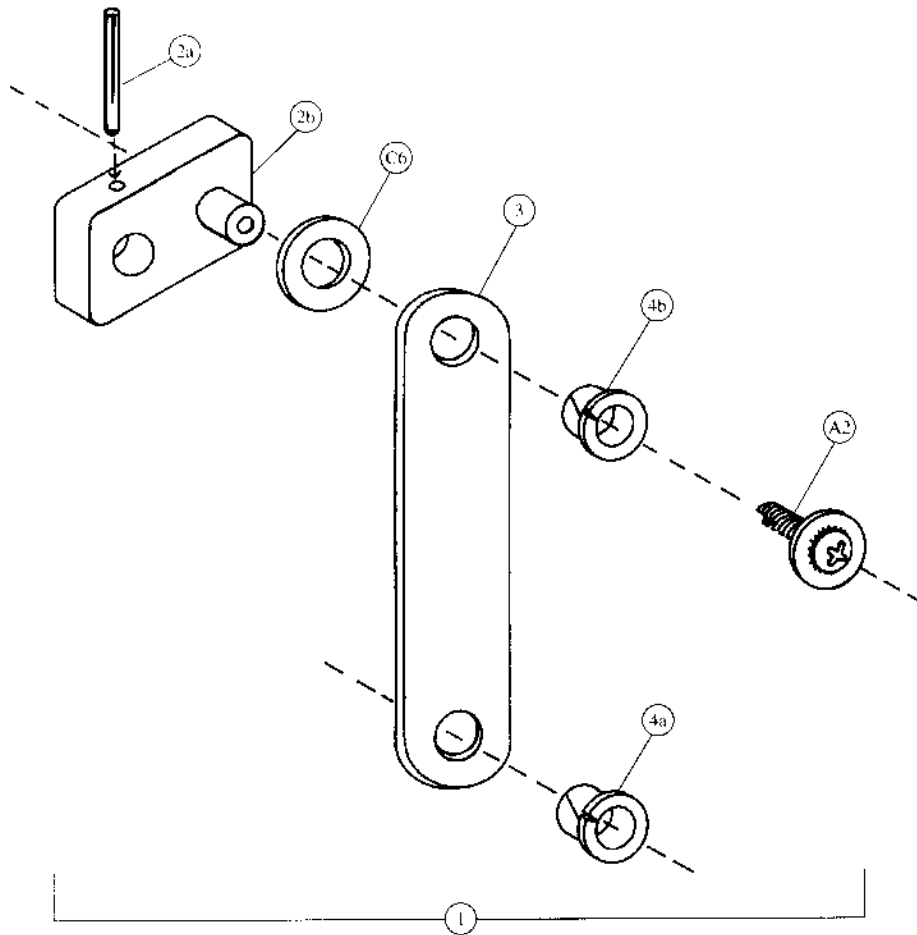


Inner Door - Pepsi (Magnum Circular)

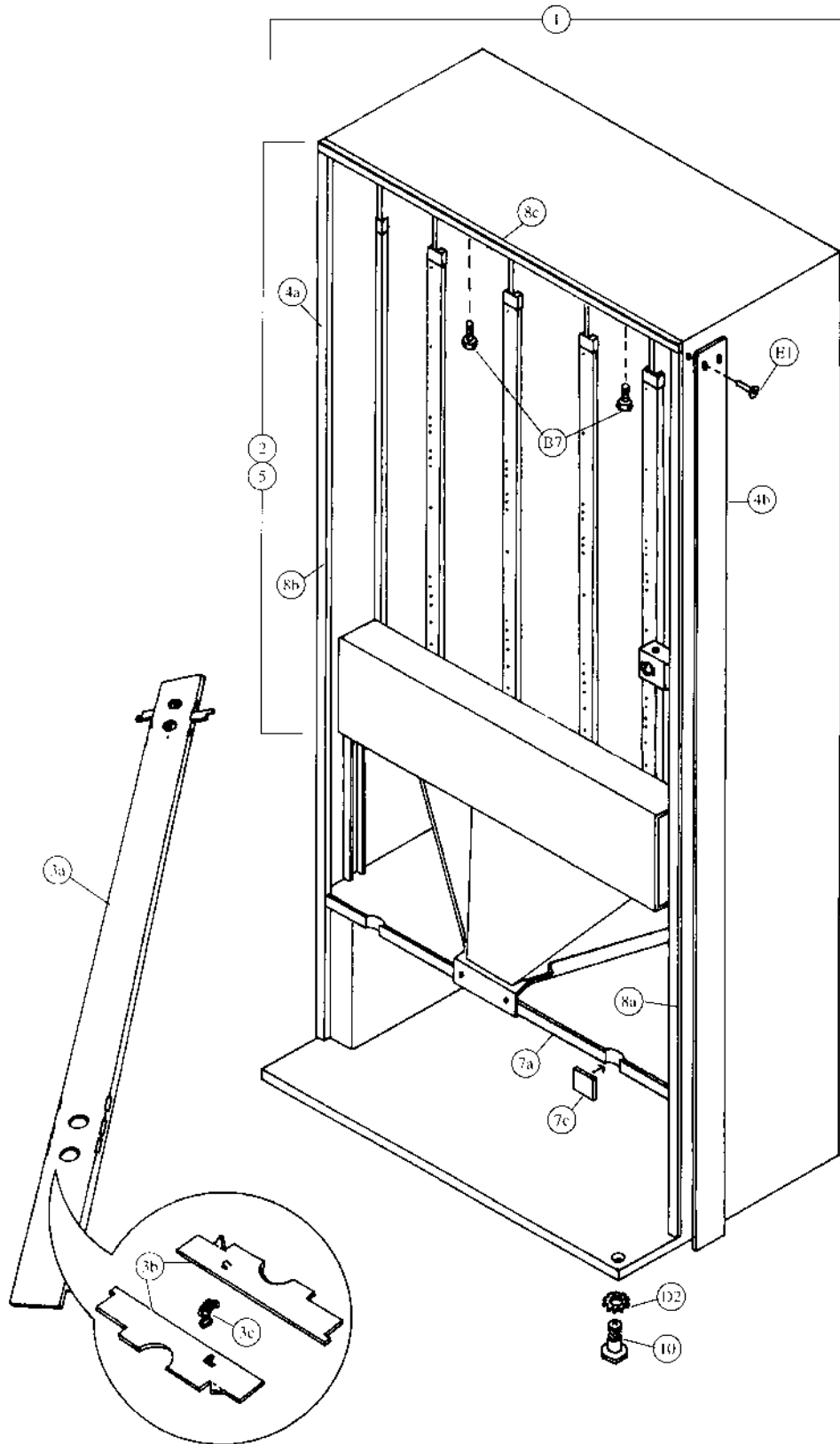
Item	Part Number	Part Name And Description
1	470,150,200.03	Inner Door Assembly
2	801,804,060.01	Inner Door Gasket
3	901,501,700.01	Knob
4a	801,806,920.01	Discharge Frame Assembly (includes 4b & 4c)
4b	801,806,600.01	Delivery Door
4c	801,806,550.01	Discharge Frame
4d	801,806,560.01	Retainer Frame Inner Door
5a	169,053,001.13	Inner Door Top Hinge, w/a
5b	169,051,101.63	Inner Door Bottom Hinge, w/a
5c	901,803,710.01	Plastic Bearing
6a	801,806,420.51	Bushing - Inner Door
6b	801,806,430.31	Bushing Retainer - Inner Door
7	804,902,610.01	4" Ground Wire (102mm) (not shown)

D8	900,201,230.11	Carriage Bolt ¼ - 20 x 1¼
B6	900,301,650.01	Screw, Phil Pan #8 - 18 x ½ (with washer) (53)
A4	900,301,500.01	Screw, Phil Pan #8 - 18 x ½ (without washer)
B9	900,800,650.01	Keps Nut #10 - 32 (4)
B4	900,201,140.01	Screw, Machine Truss #10 - 32 x ½ (2)

Two-Bar Linkage & Nut Retainer Housing - Pepsi (Magnum Cir.)



Cabinet Interior - Pepsi (Magnum Circular)

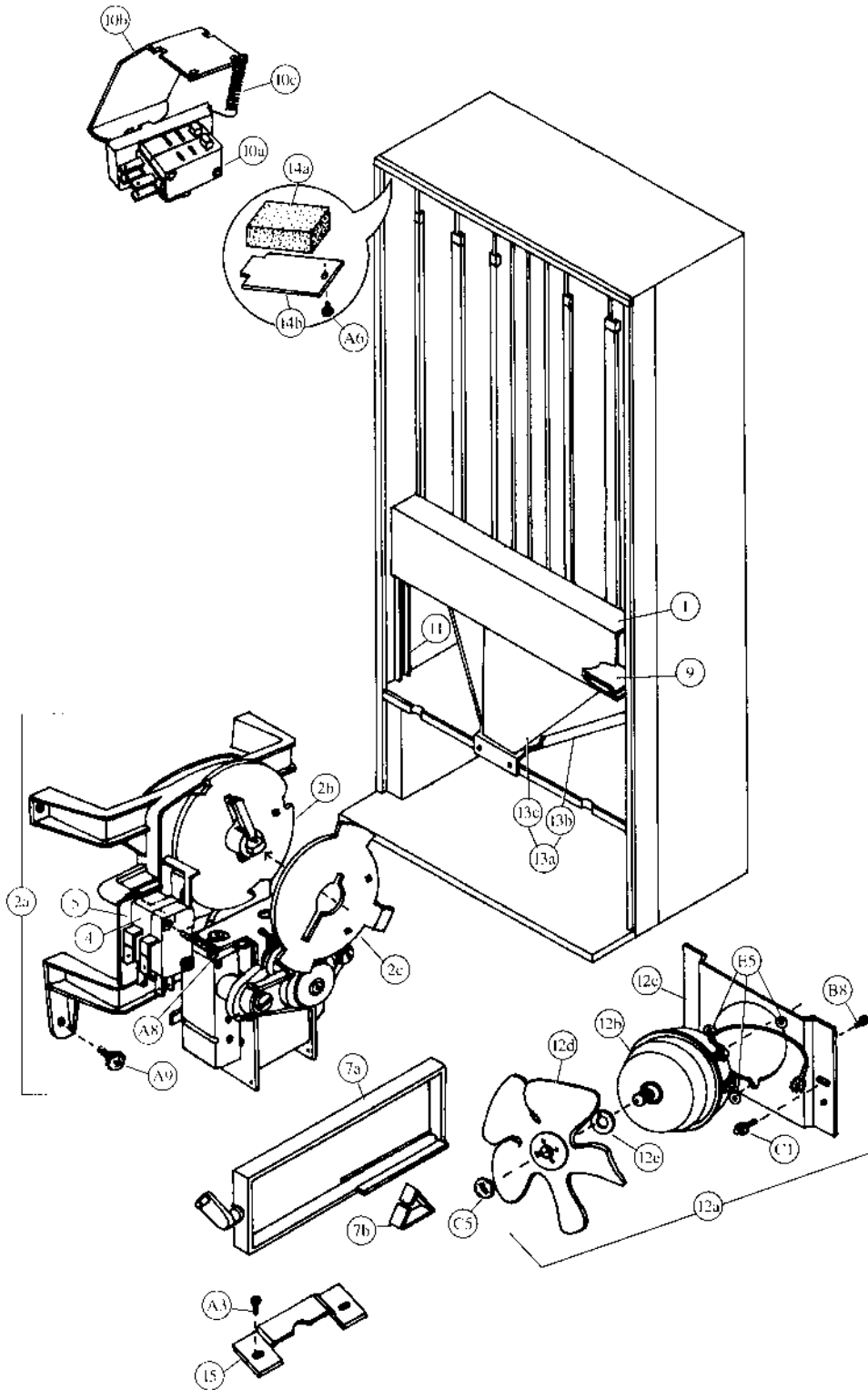


Cabinet Interior - Pepsi (Magnum Circular)

Item	Part Number	Part Name And Description
1	492,000,700.03	Foam Cabinet Assembly
2a	See list below	360 Stack Assembly (specify harness)
	443,070,000.03	Single Price
	443,170,000.03	Two/Four Price
2b	See list below	360WS Stack Assembly (specify harness)
	443,270,000.03	Single Price & Single Price - IEC Standard
	443,370,000.03	Two/Four Price & Two/Four Price - IEC Standard
3a	492,070,200.03	Rear Spacer Assembly, Wide Column
3b	267,070,080.53	Latch Finger, Long
3c	901,700,690.01	Rear Spacer Spring
4a	165,000,031.33	Protective Plate, LS Cabinet (not shown)
4b	165,000,041.63	Protective Plate, RS Cabinet
5a	443,070,100.03	360 Stack Sub Assembly
5b	443,070,200.03	360WS Stack Sub Assembly
7a	801,806,230.11	Mullion
7b	801,303,830.01	Mullion Cover, Metal (not shown)
7c	not applicable	Mullion Cover, Plastic (obsolete)
8a	492,020,040.03	Breaker Strip, Right
8b	492,020,050.03	Breaker Strip, Left
8c	491,020,170.03	Breaker Strip, Top
9a	480,000,100.13	Ballast Plate Assembly (not shown)
	491,020,800.13	Ballast Plate Assembly - IEC Standard (not shown)
9b	432,020,070.03	Ballast Plate (not shown)
	492,050,140.03	Ballast Plate - IEC Standard (not shown)
10	900,502,490.71	Leveling Leg, 3/8" (4)
11	491,070,020.13	Mounting Bracket, Rear (not shown)
12	437,010,020.13	Rodent Guard, Wide (not shown)
	474,011,300.13	Rodent Guard, Wide - IEC Standard (not shown)
13	804,400,360.01	Transformer, Basler Isolation (not shown)
14	804,902,170.11	Transformer, Jumper (not shown)
16a	901,902,280.01	Heyco Wire Clip #3699 (not shown)
16b	900,901,590.01	Cable Clamp, Green (not shown)

B7	900,302,010.01	Self-Tapping Screw 1/4 - 20 x 3/8
E1a	901,100,430.01	Pop Rivet, 1/4" (15)
B5	900,301,730.21	Self-Tapping Screw 1/4 - 20 x 1 (4)
E1b	901,100,440.01	Drive Rivet, 1/4" (15)
D2	900,700,890.01	Lock Washer, 3/8"
E2	901,100,520.01	Pop Rivet, 1/8"

Cabinet & Vend Mechanism - Pepsi (Magnum Circular)

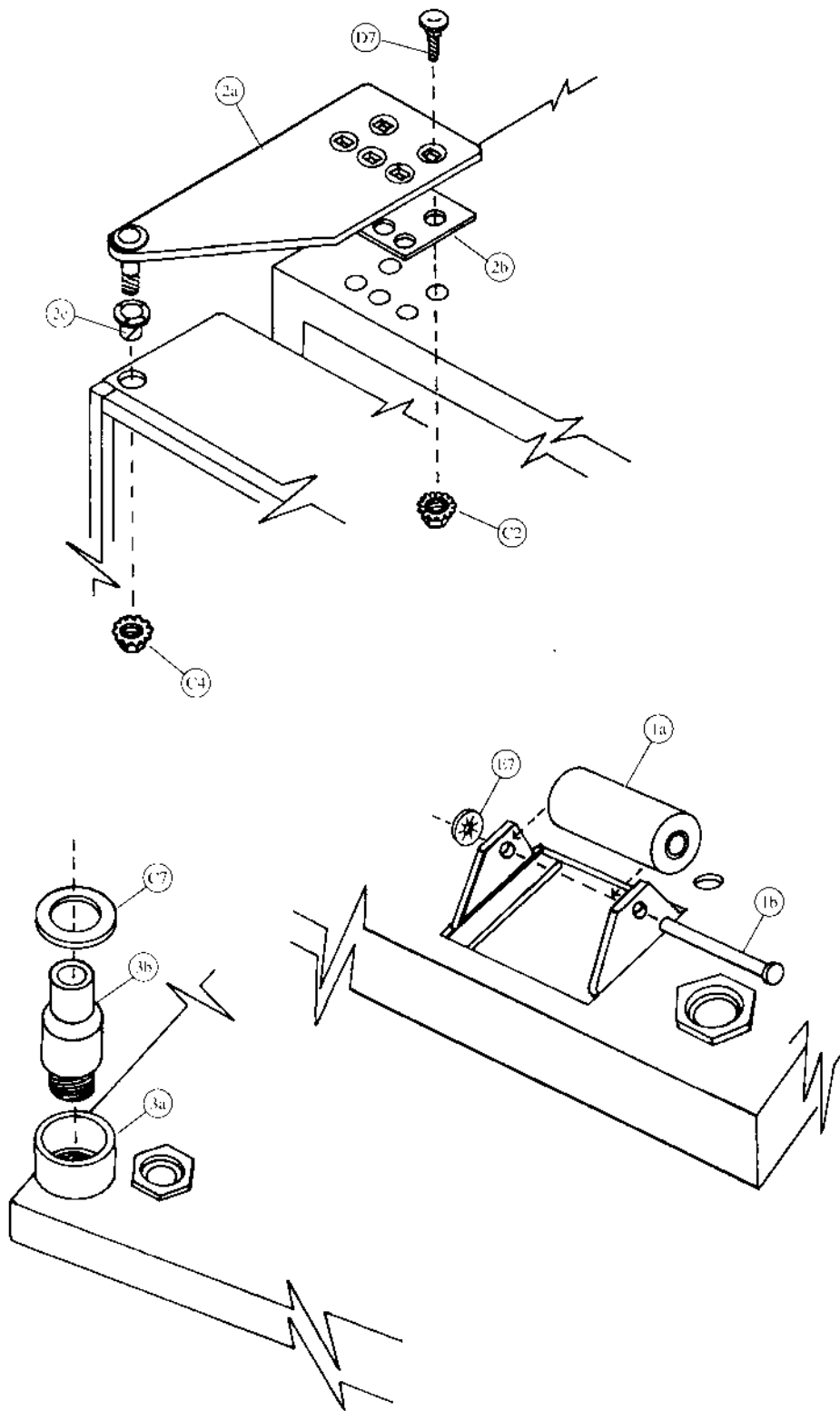


Cabinet & Vend Mechanism - Pepsi (Magnum Circular)

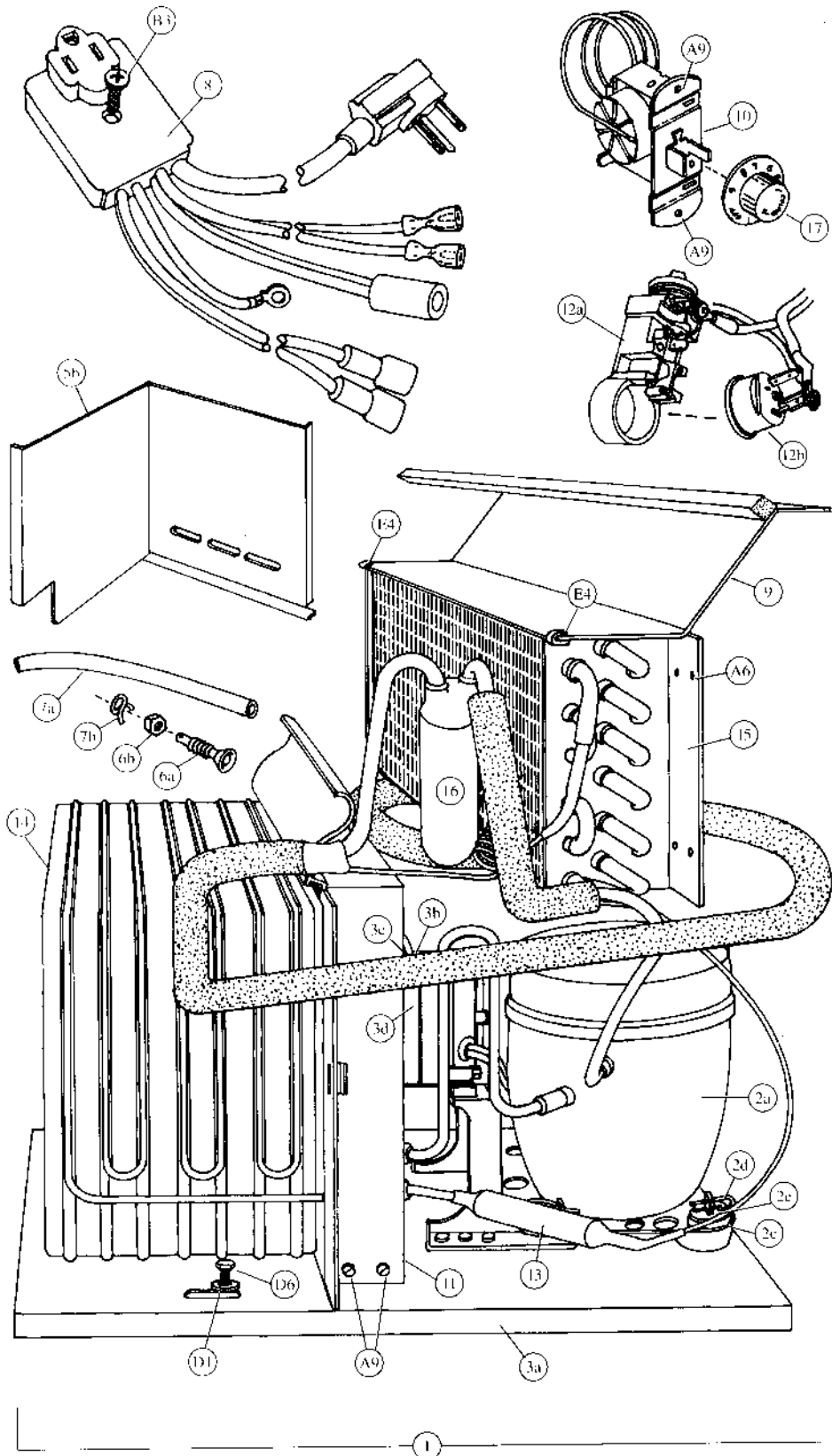
Item	Part Number	Part Name And Description
1	491,070,050.33	Vend Motor Cover, Wide
	491,071,200.23	Vend Motor Cover, Wide - IEC Standard
2a	See list below	Vend Motor Assembly, Wide
	491,070,300.03	Single Price
	491,170,100.03	Two/Four Price
2b	801,806,390.21	Vend Cam, Blue
2c	801,806,400.11	Adjustable Cam, Gold
4	See list below	Vend Motor Switch
	804,100,600.01	Single Price (Double Switch)
	804,100,690.01	Single Price - IEC Standard (Double Switch)
	804,100,700.01	Two/Four Price - IEC Standard (Triple Switch)
5	905,800,330.11	Vend Motor Switch Insulator
7a	801,201,010.41	Vend Oscillator - Wide Column
7b	901,700,650.31	Can Retainer Oscillator
8a	801,803,170.01	Nyliner, Rear
8b	901,804,230.01	Nyliner, Front - Wide Column only
9	267,070,370.43	Wire Shield
10a	804,100,610.01	Sold Out Switch Assembly
	804,100,680.01	Sold Out Switch Assembly - IEC Standard
10b	432,070,190.13	Sold Out Paddle
10c	901,700,740.01	Sold Out Paddle Spring (not shown)
11	491,020,070.33	Mechanism Support (not shown)
12a	See list below	Evaporator Fan Motor Assembly
	491,000,200.03	115v
	491,140,400.03	220 - 240v
12b	See list below	Evaporator Fan Motor
	804,500,590.01	115v
	804,500,520.01	220 - 240v
12c	164,040,080.73	Evaporator Fan Motor Bracket
12d	801,303,270.11	Evaporator Fan Blade
12e	902,100,290.01	Silencer
13a	480,070,100.03	Can Chute Assembly (includes 13b & 13c)
13b	211,170,010.43	Can Chute
13c	211,070,020.43	Chute Liner (Kydex)
14a	903,300,770.01	Foam Block
14b	169,000,130.83	Hinge Pocket Cover
15	176,072,110.13	Journal

C1	900,901,510.02	Screw, Phil Pan Tapping
A3	900,301,830.01	Sems Screw #10 - 32 x 3/8 (8)
A6	900,600,230.02	Sheet Metal Screw, Type "A"
B8	900,301,690.01	Hex Tap Screw #8 - 32 x 3/8 (3)
A8	900,301,820.01	Vend Motor Screw #4 x 1 1/8 - Double Switch (16)
	900,301,610.01	Vend Motor Screw #4 x 1 1/2 - Triple Switch
A9	900,301,560.01	Sems Screw #8 - 32 x 3/8 (28)
E5	900,401,090.01	Grommet, Black Rubber #97 (3)
C5	900,800,850.01	Speed Nut
B1	900,301,850.01	Sems Screw #8 - 32 x 3/8

Hinges and Rollers - Pepsi (Magnum Circular)



Refrigeration - Pepsi (Magnum Circular)



Refrigeration - Pepsi (Magnum Circular)

Item	Part Number	Part Name And Description
1	Provide information listed	Complete Refrigeration System: Indicate unit model number from serial plate on unit base plate, refrigerant, voltage/hertz and country.
2a	Provide information listed	Compressor 1/2 HP: Indicate compressor manufacturer, voltage/hertz, refrigerant and complete manufacturer's model number.
2b	See list below	Compressor Lead Harness (not shown)
	904,900,611.01	All, except IEC Standard
	804,905,320.01	220-240v/50hz, IEC Standard
2c	902,000,570.01	Compressor Mounting Grommet
2d	900,901,880.01	Compressor Retainer Clip
2e	901,803,910.01	Compressor Grommet Plug, Plastic
3a	491,040,040.43	Condenser Base Plate
3b	See list below	Condenser Fan Motor Assembly
	491,040,200.03	115v
	491,140,300.03	220-240v
3c	See list below	Condenser Fan Motor
	804,500,670.01	115v
	804,500,700.01	220-240v
3d	800,103,370.02	Fan Blade (not shown)
4a	491,000,100.23	Drain Pan Assembly (not shown)
4b	801,804,240.51	Drain Pan, Plastic (not shown)
4c	905,800,690.01	Soaker, Fiberglass (14) (not shown)
5a	491,040,050.53	Condenser Baffle, Right Side (not shown)
5b	491,040,060.63	Condenser Baffle, Rear
6a	801,806,050.11	Drain Tube
6b	900,301,790.01	Drain Tube Nut
7a	901,900,500.01	Drain Hose
7b	900,901,030.01	Drain Hose Clamp
8	See listing below	Main Wiring Harness
	804,902,220.01 (a)	United States (shown)
	804,905,480.01 (b)	Australia, IEC 335
	804,905,490.01 (c)	United Kingdom, IEC 335
	804,902,160.21 (d)	Europe
	804,903,160.01 (e)	Mexico
	804,905,450.01 (f)	Italy
	804,905,470.01 (g)	Danish, IEC 335
804,905,360.01 (h)	Germany, with Splashwater Protector	
9	211,040,030.13	Top Fan Housing
10	802,800,410.01	Temperature Control
11	491,040,110.33	Fan Shroud Condenser
12a	Provide information listed	Relay: Indicate compressor manufacturer, model # and voltage/hz
12b	Provide information listed	Overload: Indicate compressor manufacturer, model # and voltage/hz
13	802,401,240.01	Dryer
14	802,600,550.01	Condenser
15	802,600,370.51	Evaporator
16	802,400,460.01	Accumulator
17	802,800,420.01	Knob, Temperature Control

A6	900,600,230.02	Sheet Metal Screw, Type "A" (not shown)	(2)
A9	900,301,560.01	Sems Screw #8 - 32 x 3/4	(8)
B3	900,301,810.01	Screw, #10 - 32 x 1 1/2	
D1	900,700,360.01	Lockwasher, 3/8"	(2)
E4	900,901,890.01	Tinnerman Clip	(2)
D6	900,400,440.01	Refrigeration Bolt 3/8 - 16 x 1	(2)

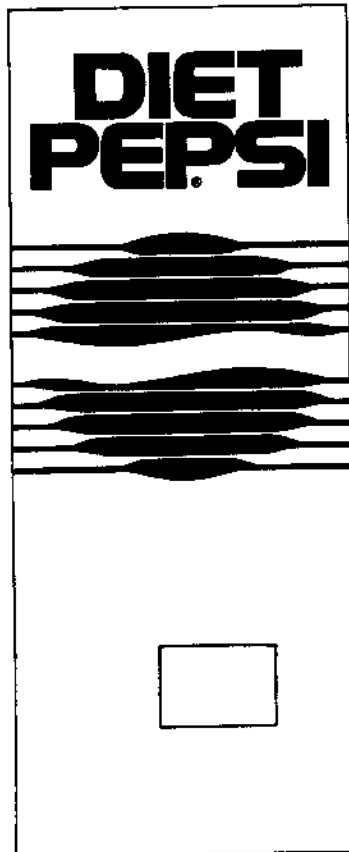
Signs and Decals - Pepsi (Magnum Circular)



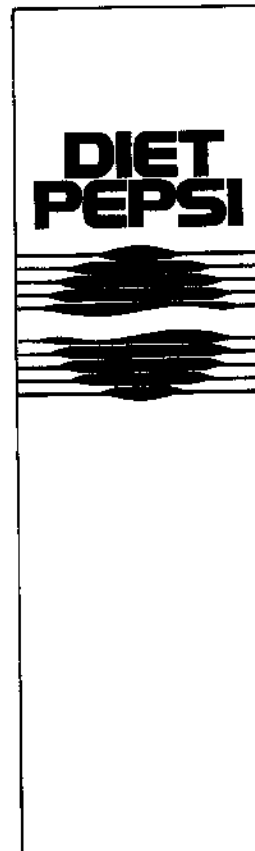
①



③

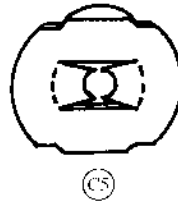
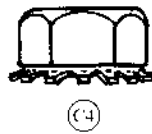
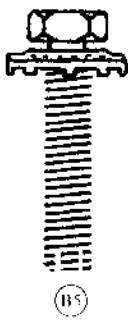


②



④

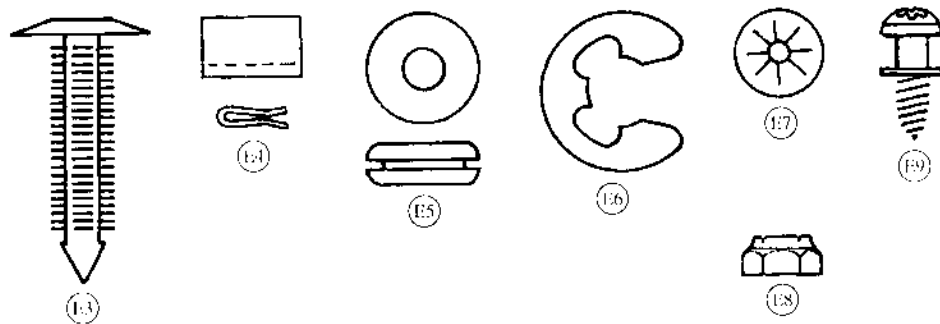
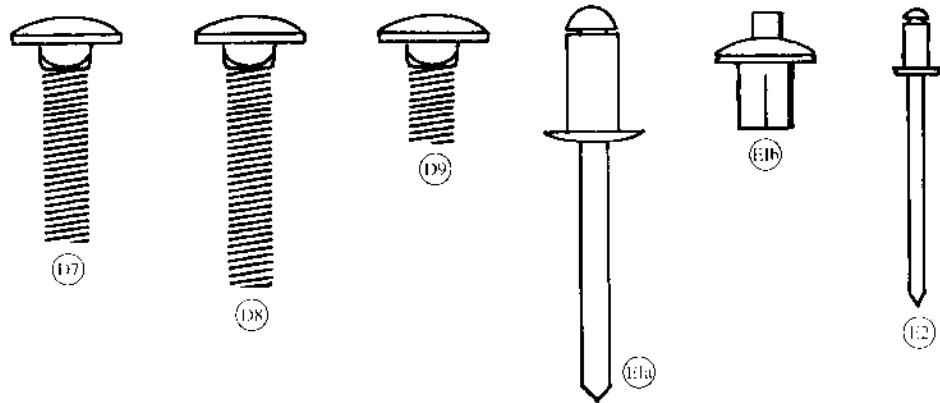
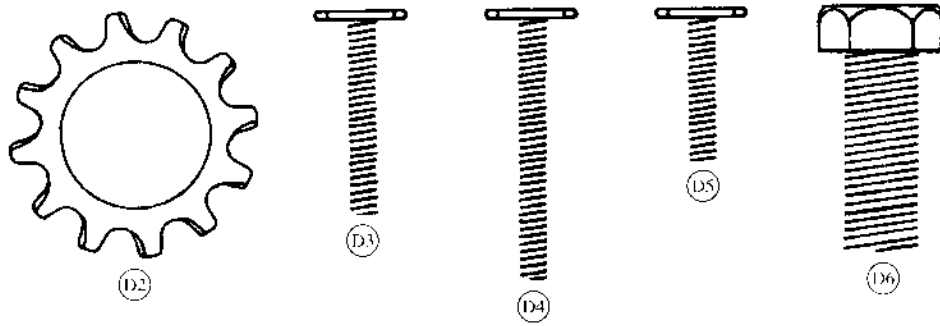
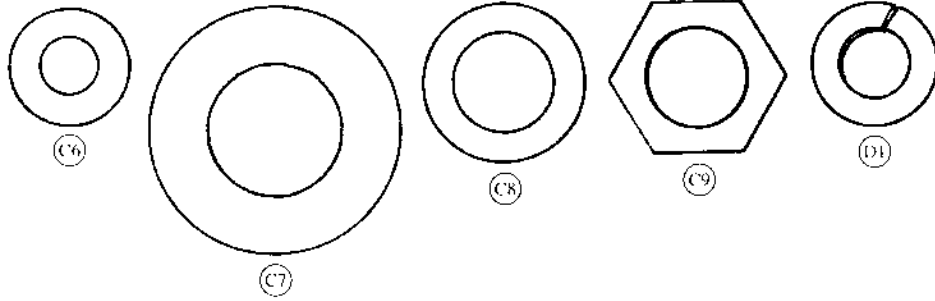
Screws & Nuts - Pepsi (Magnum Circular)



Screws & Nuts - Pepsi (Magnum Circular)

Item	Part Number	Part Name And Description
A1	900,301,700.01	Sems Screw #6 - 32 x $\frac{3}{8}$
A2	900,301,640.01	Sems Screw #8 - 32 x $\frac{1}{2}$
A3	900,301,830.01	Screw, Phil Pan #10 - 32 x $\frac{5}{16}$
A4	900,301,500.01	Screw, Phil Pan (without washer) #8 - 18 x $\frac{1}{2}$
A5	900,301,970.01	Screw, Phil Pan #8 - 32 x $\frac{1}{4}$
A6	900,600,230.02	Sheet Metal Screw, Type "A"
A7	900,300,470.01	Screw, Phil Pan #4 x $\frac{3}{4}$
A8	900,301,820.01	Vend Motor Screw #4 x $1\frac{1}{16}$
	900,301,610.01	Vend Motor Screw #4 x $1\frac{1}{2}$
A9	900,301,560.01	Sems Screw #8 - 32 x $\frac{3}{8}$
AA	900,201,310.01	Machine Screw #6 - 32 x $1\frac{1}{4}$
AB	900,301,960.01	Sems Screw #8 - 32 x $\frac{1}{4}$ (not shown)
B1	900,301,850.01	Sems Screw #8 - 32 x $\frac{5}{8}$
B2	900,300,160.01	Sems Screw #6 x $\frac{3}{8}$
B3	900,301,810.01	Screw #10 - 32 x $1\frac{1}{2}$
B4	900,201,140.01	Screw, Machine Truss #10 - 32 x $\frac{1}{2}$
B5	900,301,730.21	Self-Tapping Screw $\frac{1}{4}$ - 20 x 1
B6	900,301,650.01	Screw, Phil Pan (with washer) #8 - 18 x $\frac{1}{2}$
B7	900,302,010.01	Self-Tapping Screw $\frac{1}{4}$ - 20 x $\frac{5}{8}$
B8	900,301,690.01	Screw, Hex Tap #8 - 32 x $\frac{3}{8}$
B9	900,800,650.01	Keps Nut #10 - 32
C1	900,901,510.02	Screw, Phil Pan Tapping
C2	900,800,670.01	Keps Nut $\frac{1}{4}$ - 20
C3	900,800,500.01	Keps Nut #8 - 32
C4	900,800,690.01	Keps Nut (Top Door Hinge) $\frac{3}{8}$ - 16
C5	900,800,850.01	Speed Nut
CC	900,201,220.11	Machine Screw #8 - 32 x $\frac{3}{4}$
DD	900,800,490.01	Keps Nut #6 - 32

Washers, Bolts & Misc. - Pepsi (Magnum Circular)



Washers, Bolts & Misc. - Pepsi (Magnum Circular)

Item	Part Number	Part Name And Description
C6	900,700,600.01	Washer, Flat
C7	901,303,770.01	Washer, Hinge
C8	901,503,060.01	Washer, Flat (T-Handle)
C9	901,503,080.01	Washer, Hex (T-Handle)
D1	900,700,360.01	Lockwasher, 3/8"
D2	900,700,890.01	Lockwasher, 5/8"
D3	900,400,430.01	T-Bolt #8 - 32 x 1
D4	900,400,410.01	T-Bolt #8 - 32 x 1 3/8
D5	900,400,350.31	T-Bolt # 8 - 32 x 3/4
D6	900,400,440.01	Refrigeration Bolt 3/8 - 16 x 1
D7	900,201,170.01	Carriage Bolt 1/4 - 20 x 1
D8	900,201,230.11	Carriage Bolt 1/4 - 20 x 1 1/4
D9	900,201,450.01	Carriage Bolt 1/4 - 20 x 1/2
E1a	901,100,430.01	Pop Rivet 1/4"
E1b	901,100,440.01	Drive Rivet 1/4"
E2	901,100,520.01	Pop Rivet 1/8"
E3	900,902,130.01	Christmas Tree Clip
E4	900,901,890.01	Tinnerman Clip
E5	900,401,090.01	Grommet, Black Rubber #97
E6	901,503,070.01	E Ring
E7	900,900,900.01	Retainer
E8	900,800,510.01	Elastic Stop Nut #8 - 32
E9	900,301,980.01	Phil Pan Shoulder Screw #8 - 18 x 1 7/32