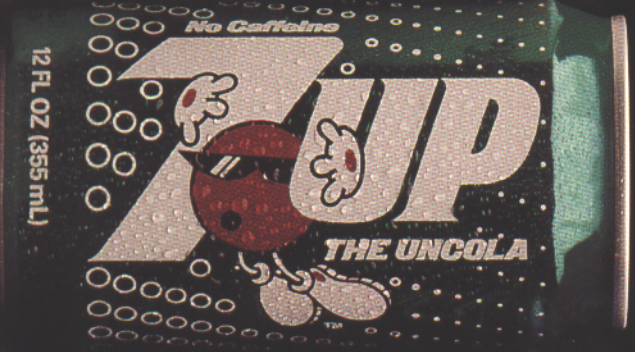


# The Parts Book

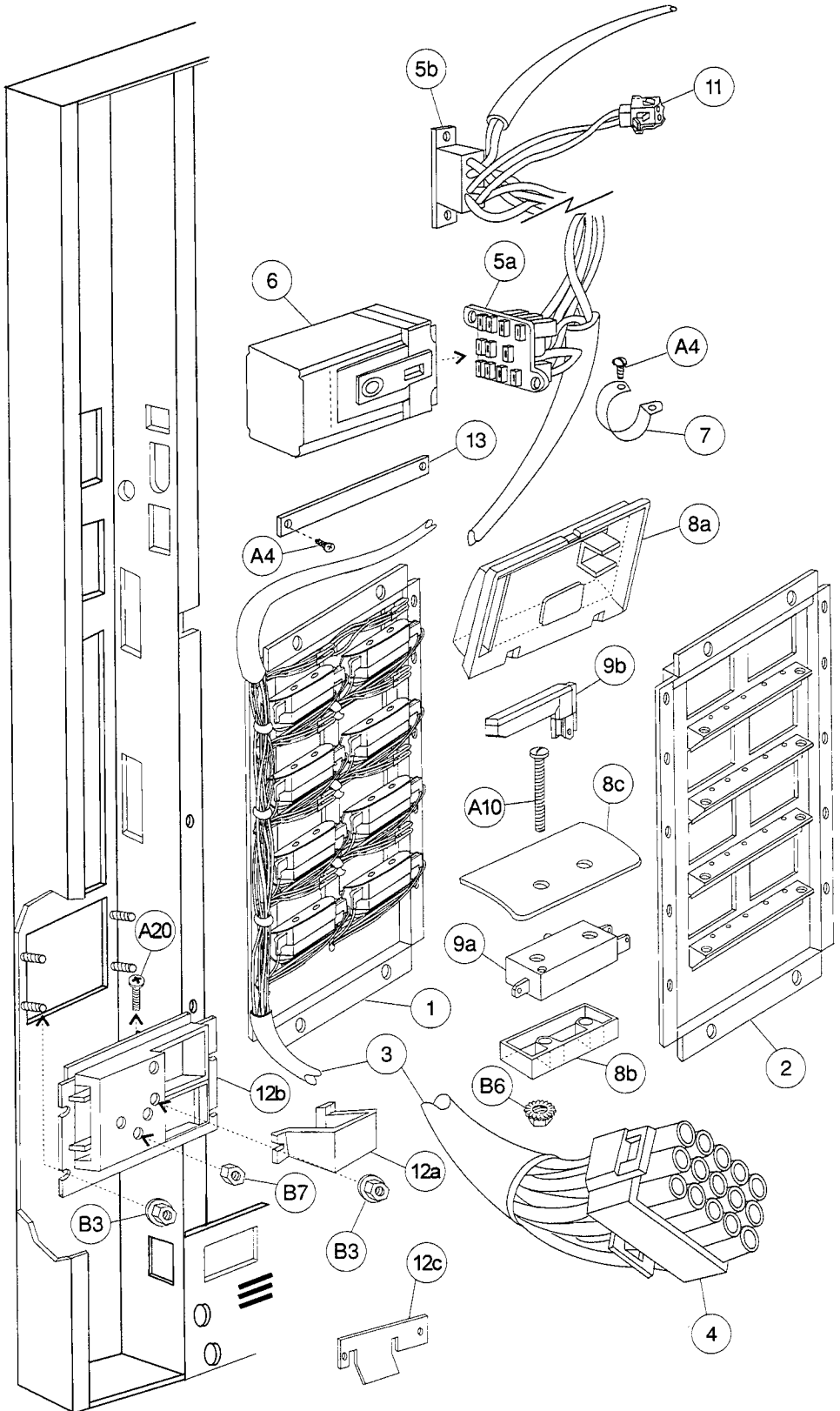




## Can Display

Item	Part Number	Part Name And Description By Model Number
1		Select Panel Assembly
	469,050,900.03	368/501 NON SII (8QB)
	565,150,300.03	368/501 SII (8QB)
	477,050,300.03	360 NON SII (6QB)
	337,050,200.03	180 NON SII (5QB)
	565,152,010.03	180 SII (5QB)
2		Select Panel
	469,050,500.03	368/501 (8QB) Select Panel Front
	577,050,400.03	360 (6QB) Select Panel Front
	337,050,300.03	180 NON SII (5QB) weld assembly Control Panel
	555,150,100.03	180 SII (5QB) Select Panel Front
3		Door Harness
	See Wiring Harness Section	All Models
4		15-Way Plug (Amp 1-480710-0)
	904,600,830.01	All Models
5a		Socket, Relay (93-153-1)
	904,600,620.01	All Models
5b		Socket, Coin Changer (8 Pin Jones) (1-480-289-0)
	904,600,600.01	All Models
6		Vend Relay (Single Price Only) (9320166623200ARB)
	804,200,170.11	All Models
7		1" Clamp, Heyco 3390
	901,901,890.01	All Models
8a		Select Button
	801,804,510.11	All Models
8b		Select Button Stop
	801,804,540.41	All Models
8c		Insulator, Switch Shield & Spring, Mylar
	801,804,620.31	All Models
9a		Select Switch
	804,100,510.21	NON SII
	804,100,760.11	SII
9b		Sold Out Lamp
	804,700,510.01	NON SII & VRV NON SII
	804,700,570.01	SII & NON VRV SII (Production Run 6156 and higher)
	804,700,520.01	NON VRV SII (Prior to 6156)
10		Flavor Cards
	Indicate Flavor	All Models
11		Bracket, Relay/Changer Socket (NON MPC/NON SII)
	453,050,160.53	All Models
12		Door Strap
	523,050,110.13	MPC
	572,050,130.43	SII
	453,050,140.03	360/368/501 NON MPC/NON SII
13		Door Switch
	804,100,770.21	SII
	804,100,640.01	MPC
14		2 Way Cap (1-480-699-0)
	904,600,700.01	All Models
15		Change Cup & Opener Bezel
	801,805,610.41	All Models
16		Change Cup
	801,805,530.61	All Models
17		Opener Housing Reinforcement Plate
	399,050,270.13	All Models
B6	900,800,490.01	Keps Nut, #6 - 32
A20	900,201,220.11	Screw, Machine Phil Pan #8 - 32 x 3/4"
B7	900,800,510.01	Elastic Stop Nut #8 - 32
A4	900,301,500.01	Screw, Phil Pan w/out washer #8 - 18 x 1/2"
A9	900,301,560.11	Screw, Phil Pan Swage Form #8 - 32 x 3/8"
D1	900,400,430.01	T-Bolt #8 - 32 x 1"
B3	900,800,500.01	Keps Nut #8 - 32
A10	900,201,310.01	Screw, Machine #6 - 32 x 1 1/4"
A6	900,300,470.01	Screw, Vend Motor #4 x 3/4"

# Cold Drink FLS

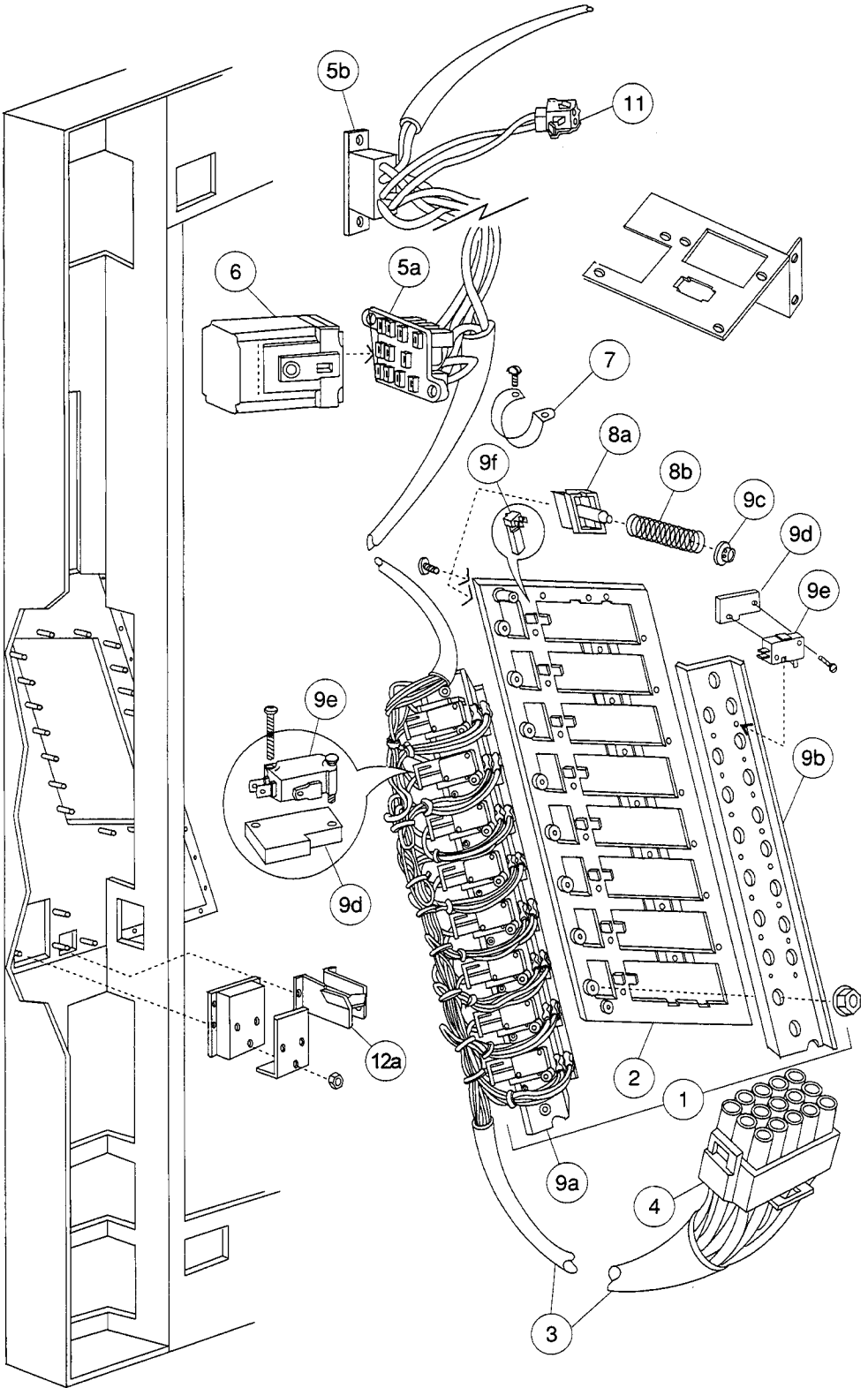




**Cold Drink FLS**

Item	Part Number	Part Name And Description By Model Number
1		Select Panel Assembly
	469,050,900.03	368/440/501/600 NON SII (8 Select)
	565,150,300.03	368/440/501/600 SII (8 Select)
	477,050,300.03	276/360 NON SII (6 Select)
	565,151,800.03	276/360 SII (6 Select)
	565,152,800.03	348 SII (10 Select)
	555,150,200.03	180/300 NON SII (5 Select)
2		Assembly Front Control Panel
	469,050,500.03	368/440/501/600 NON SII & SII (8 Select)
	471,050,300.03	348 SII (10 Select)
	477,050,400.03	276/360 NON SII & SII (6 Select)
	555,150,100.03	180/300 SII (5 Select)
3		Door Harness
	See Wiring Harness Section	All Models
4		15-Way Plug (Amp 1-480710-0)
	904,600,830.01	All Models
5a		Socket, Relay (93-153-1)
	904,600,620.01	All Models
5b		Socket, Coin Changer (8 Pin Jones) (1-480-289-0)
	904,600,600.01	All Models
6		Vend Relay (Single Price Only) (9320166623200ARB)
	804,200,170.11	All Models
7		1" Clamp, Heyco (3390)
	901,901,890.01	All Models
8a		Select Button
	801,804,510.11	All Models
8b		Select Button Stop
	801,804,540.41	All Models
8c		Insulator, Switch Shield & Mylar
	801,804,620.31	All Models
9a		Select Switch
	804,100,510.21	NON SII
	804,100,760.11	SII
9b		Sold Out Lamp
	804,700,510.01	NON SII & VRV NON SII
	804,700,570.01	SII & NON VRV SII (production run 6156 & Up)
	804,700,520.01	NON VRV SII (prior to 6156)
10		Flavor Cards
	Indicate Flavor	All Models
11		2-Way Cap (1-480-699-0)
	904,600,700.01	All Models
12a		Change Cup
	801,805,530.61	All Models
12b		Change Cup & Opener Bezel
	801,805,610.41	All Models
12c		Opener Housing Reinforcement Plate
	399,050,270.13	All Models
13		Door Strap
	572,050,130.43	SII
	453,050,140.03	NON SII
B6	900,800,490.01	Keps Nut, #6 - 32
A20	900,201,220.11	Screw, Machine Phil Pan #8 - 32 x 3/4"
B7	900,800,510.01	Elastic Stop Nut #8 - 32
A4	900,301,500.01	Screw, Phil Pan w/out washer #8 - 18 x 1/2"
A9	900,301,560.11	Screw, Phil Pan Swage Form #8 - 32 x 3/8"
D1	900,400,430.01	T-Bolt #8 - 32 x 1"
B3	900,800,500.01	Keps Nut #8 - 32
A10	900,201,310.01	Screw, Machine #6 - 32 x 1 1/4"
A6	900,300,470.01	Screw, Vend Motor #4 x 3/4"

Dr Pepper (D3)

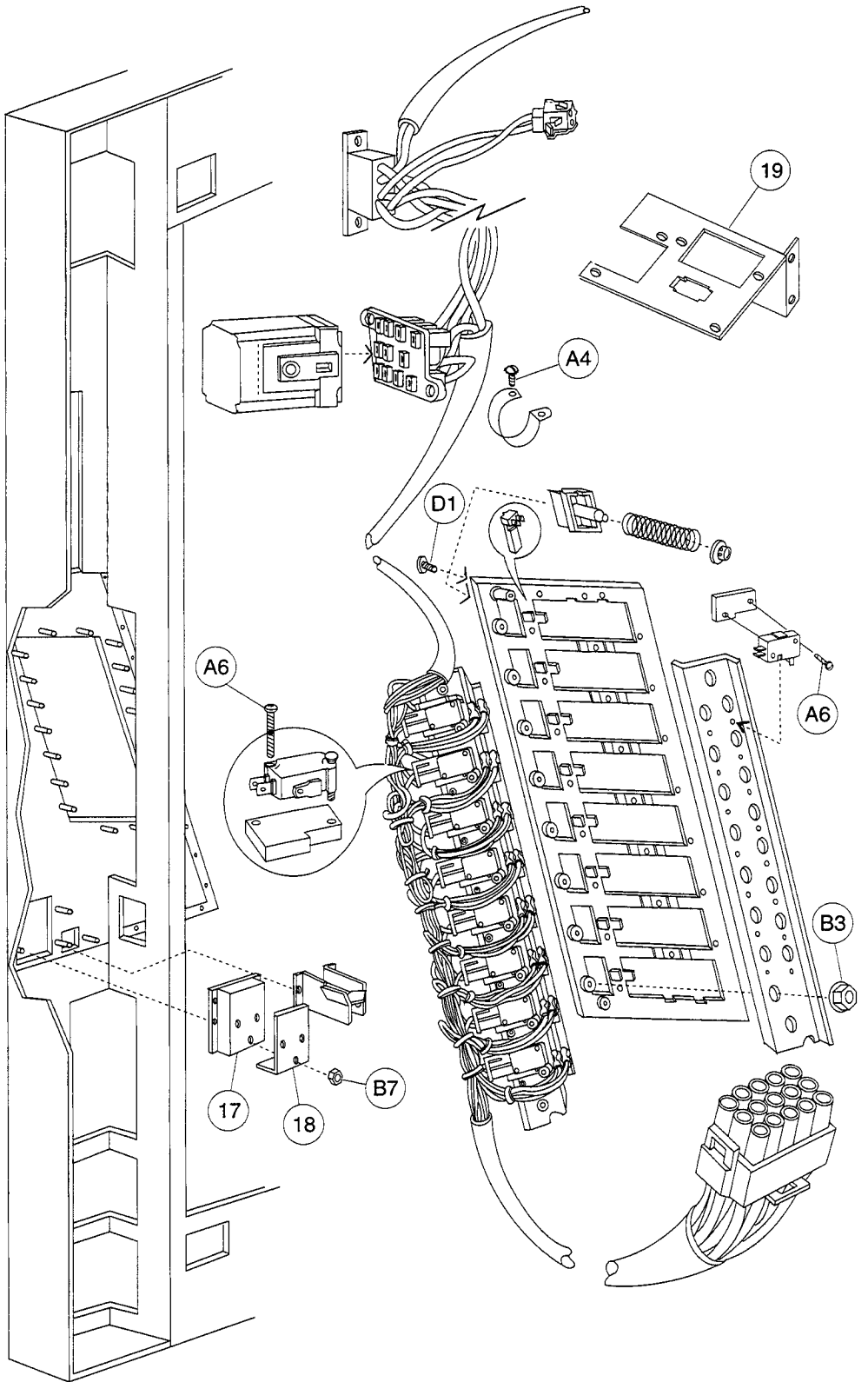


**Dr Pepper (D3)**

Item	Part Number	Part Name And Description By Model Number
1		Select Panel Assembly
	453,050,300.13	368/440/501/600 NON SII (8 Select)
	461,050,200.13	348/414 NON SII (10 Select)
	456,050,200.13	276 NON SII (6 Select)
	459,050,200.03	180 NON SII (5 Select)
	454,150,600.03	368/440/501/600 SII (8 Select)
	461,150,500.03	348/414 SII (10 Select)
	456,150,800.03	276 SII (6 Select)
2		Select Panel
	801,805,850.01	368/440/501/600 (8 Select)
	801,805,880.01	348/414 (10 Select)
	801,805,890.01	276 (6 Select)
	801,805,900.01	180 (5 Select)
3		Door Harness
	See Wiring Harness Section	All Models
4		15-Way Plug (Amp 1-480710-0)
	904,600,830.01	All Models
5a		Socket, Relay (93-153-1)
	904,600,620.01	All Models
5b		Socket, Coin Changer (8 Pin Jones) (1-480-289-0)
	904,600,600.01	All Models
6		Vend Relay (Single Price Only) (9320166623200ARB)
	804,200,170.11	All Models
7		1" Clamp, Heyco (3390)
	901,901,890.01	All Models
8a		Select Button
	801,805,910.31	All Models
8b		Select Button Spring
	901,700,720.21	All Models
9a		Select Switch Bar Assembly
	453,050,500.03	NON SII (8 Select)
	454,150,700.03	SII (8 Select)
	461,050,400.03	NON SII (10 Select)
	461,150,600.03	SII (10 Select)
	456,050,600.03	NON SII (6 Select)
	456,150,900.03	SII (6 Select)
	459,050,600.03	NON SII (5 Select)
9b		Select Switch Bar
	453,050,030.13	8 Select
	461,050,020.03	10 Select
	456,050,030.13	6 Select
	459,050,010.03	5 Select
9c		Nylet
	902,000,580.01	All Models
9d		Switch Insuiator
	801,805,920.31	All Models
9e		Select Switch
	804,100,710.21	NON SII
	804,100,740.21	SII
9f		Sold Out Lamp
	804,700,510.01	NON SII & VRV NON SII
	804,700,570.01	SII & NON VRV SII (production run 6156 & Up)
	804,700,520.01	NON VRV SII (prior to 6156)
9g		Card Retainer
	801,806,040.11	All Models
10		Flavor Cards
	Indicate Flavor	All Models
11		2-Way Cap (1-480-699-0)
	904,600,700.01	All Models
12a		Assembly, Change Cup
	453,050,200.03	All Models
13		Crown Puller Cover Plate
	360,010,180.13	All Models

Continued next page

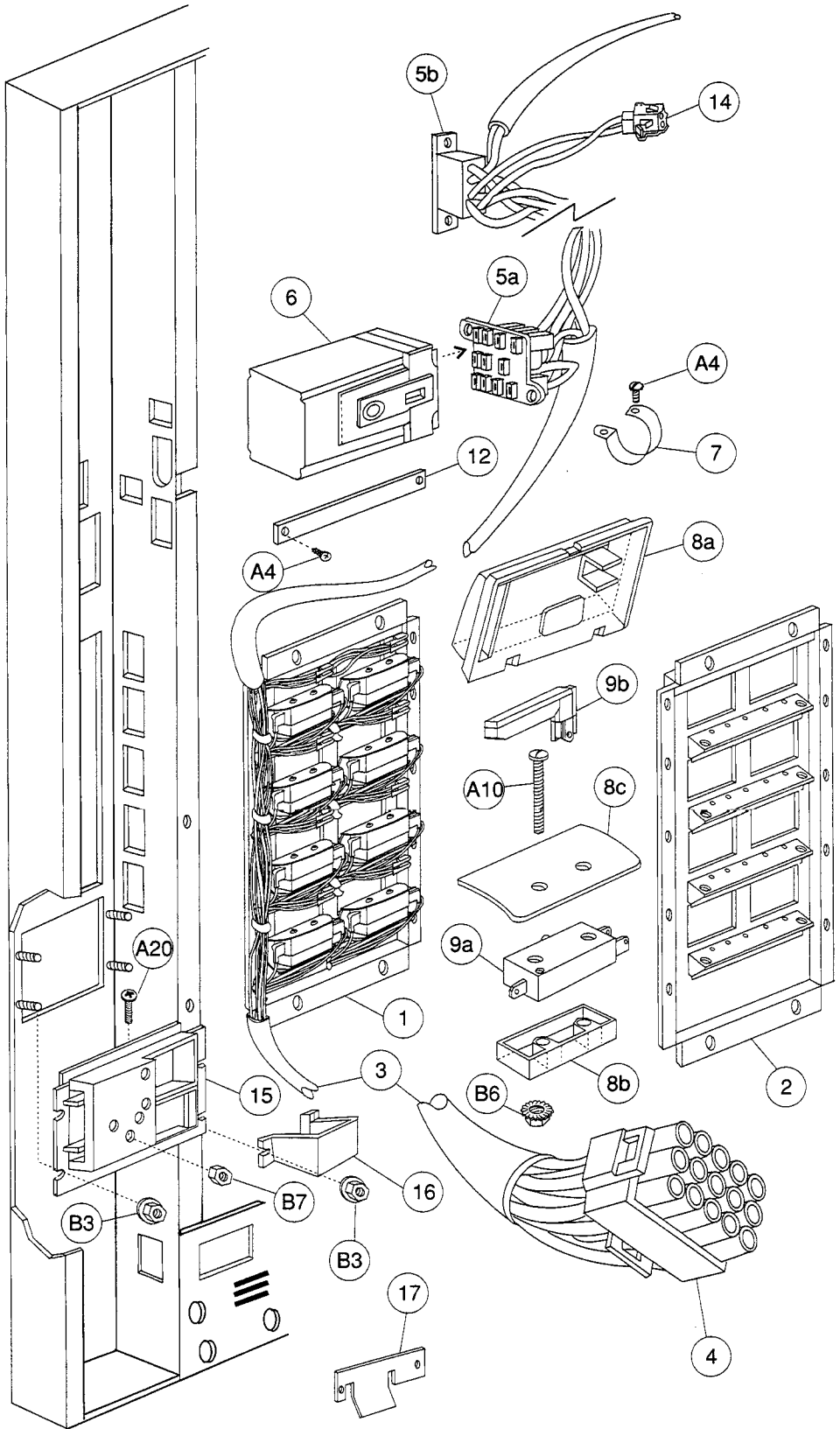
Dr Pepper (D3)







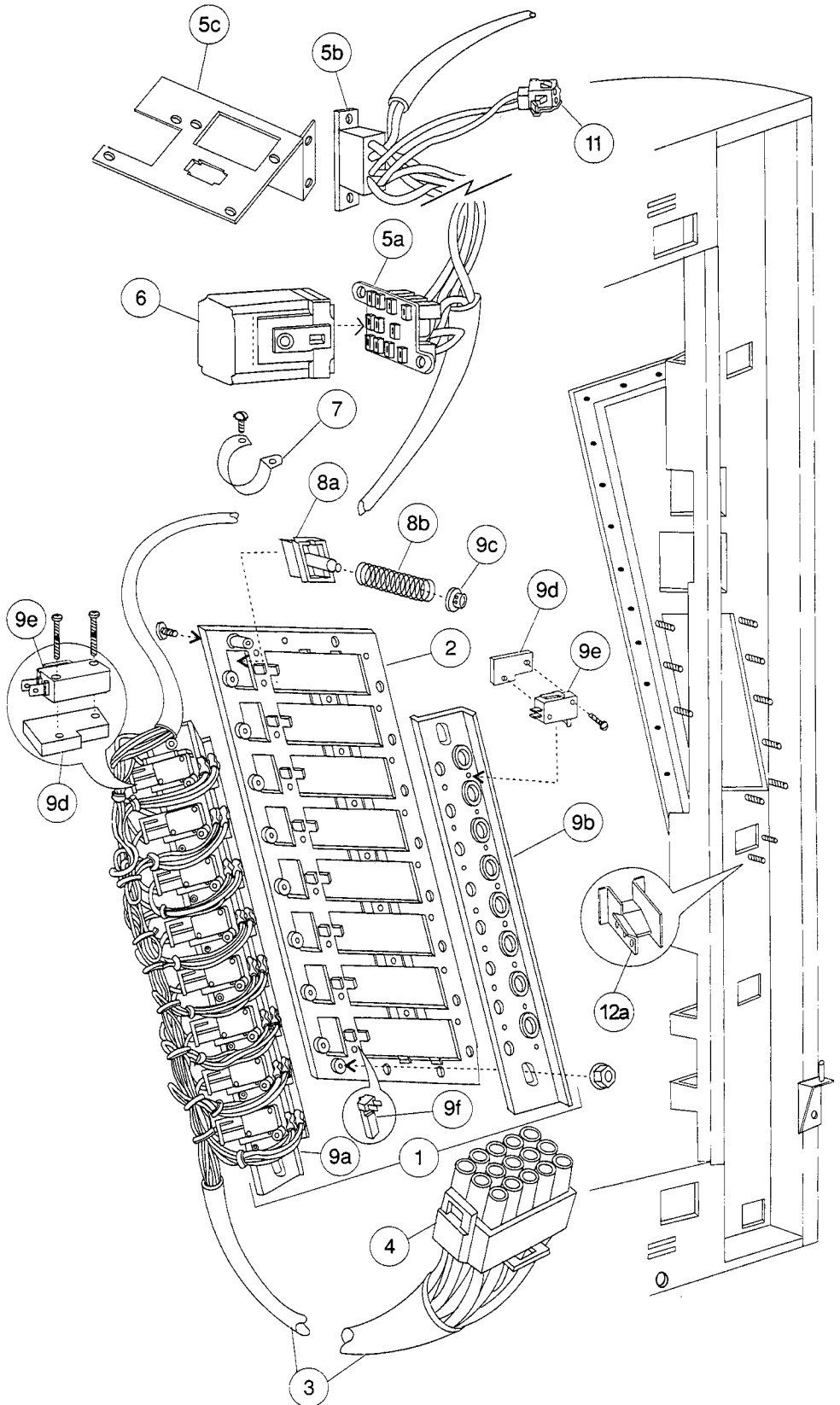
Generic Round



## Generic Round

Item	Part Number	Part Name And Description By Model Number
1		Select Panel Assembly
	469,050,900.03	368/440/501/600 NON SII & MPC (8QB)
	565,151,600.03	368/440/501/600 SII (8QB)
	537,050,200.03	432 NON SII & NON MPC (6QB)
	565,152,600.03	360 SII (6QB)
	477,050,300.03	360 NON SII (6QB)
	471,050,200.03	348/414 (10QB)
	565,150,900.03	348 SII (10QB)
2		Select Panel
	469,050,500.13	368/440/501/600 (8QB) Select Panel Front
	477,050,400.13	360/432 (6QB) Select Panel Front
	471,050,300.13	348/414/ (10QB) Select Panel Front
3		Door Harness
	See Wiring Harness Section	All Models
4		15-Way Plug (Amp 1-480710-0)
	904,600,830.01	All Models
5a		Socket, Relay (93-153-1)
	904,600,620.01	All Models
5b		Socket, Coin Changer (8 Pin Jones) (1-480-289-0)
	904,600,600.01	All Models
6		Vend Relay (Single Price Only) (9320166623200ARB)
	804,200,170.11	All Models
7		1" Clamp, Heyco 3390
	901,901,890.01	All Models
8a		Select Button
	801,804,510.11	All Models
8b		Select Button Stop
	801,804,540.41	All Models
8c		Insulator, Switch Shield & Spring, Mylar
	801,804,620.31	All Models
9a		Select Switch
	804,100,510.21	NON SII
	804,100,760.11	SII
9b		Sold Out Lamp
	804,700,510.01	NON SII & VRV NON SII
	804,700,570.01	SII & NON VRV SII (Production Run 6156 and higher)
	804,700,520.01	NON VRV SII (Prior to 6156)
10		Flavor Cards
	Indicate Flavor	All Models
11		Bracket, Relay/Changer Socket (NON MPC/NON SII)
	453,050,160.53	All Models
12		Door Strap
	523,050,110.13	MPC
	572,050,130.43	SII
	453,050,140.03	360/368/501 NON MPC & NON SII
13		Door Switch
	804,100,770.21	SII
	804,100,640.01	MPC
14		2 Way Cap (1-480-699-0)
	904,600,700.01	All Models
15		Change Cup & Opener Bezel
	801,805,610.41	All Models
16		Change Cup
	801,805,530.61	All Models
17		Opener Housing Reinforcement Plate
	399,050,270.13	All Models
A20	900,201,220.11	Screw, Machine Phil Pan #8 - 32 x 3/4"
B7	900,800,510.01	Elastic Stop Nut #8 - 32
A4	900,301,500.01	Screw, Phil Pan w/out washer #8 - 18 x 1/2"
B6	900,800,490.01	Keps Nut, #6 - 32
D1	900,400,430.01	T-Bolt #8 - 32 x 1"
B3	900,800,500.01	Keps Nut #8 - 32
A10	900,201,310.01	Screw, Machine #6 - 32 x 1 1/4"
A6	900,300,470.01	Screw, Vend Motor #4 x 3/4"

7Up (B7)

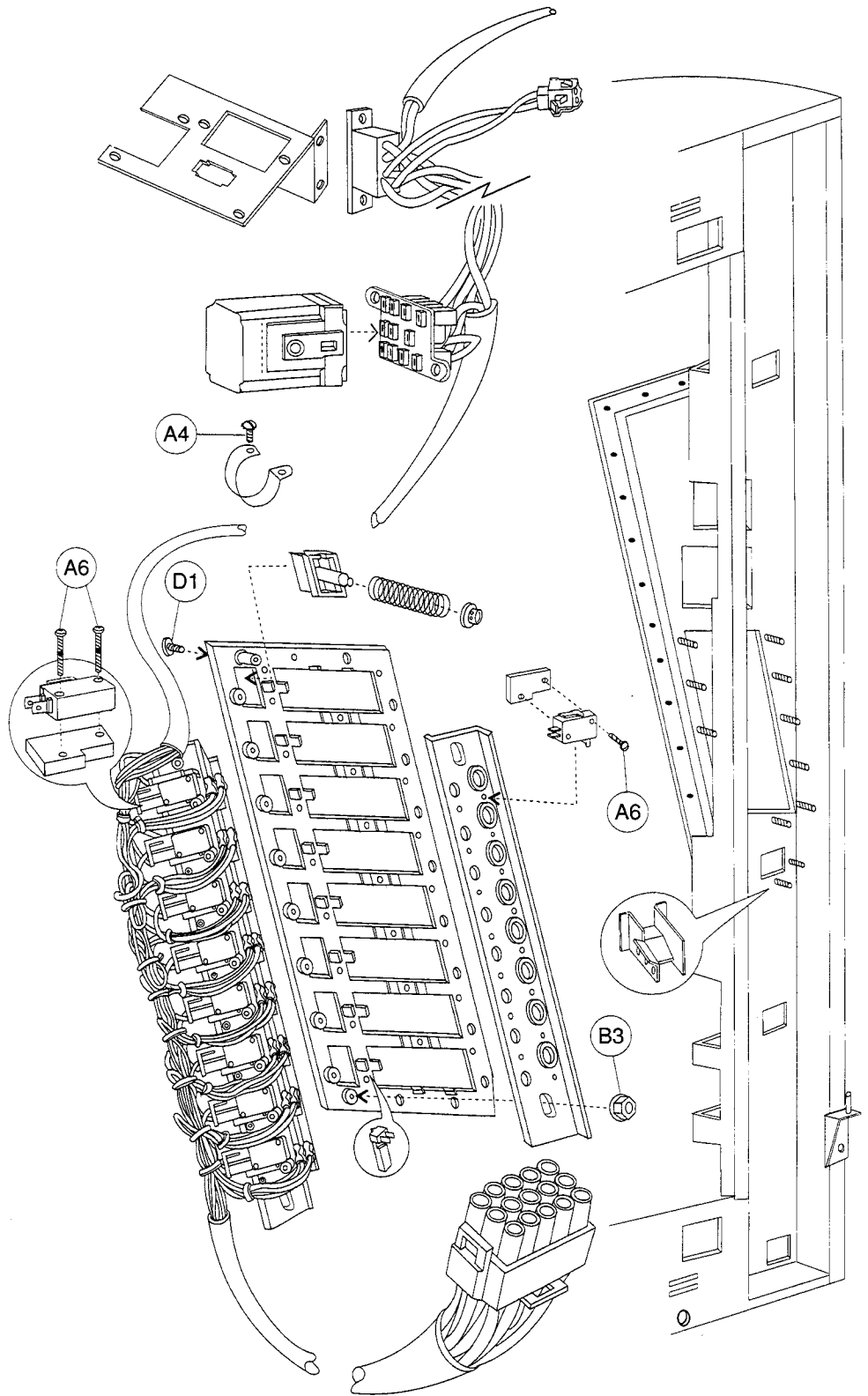


**7Up (B7)**

Item	Part Number	Part Name And Description By Model Number
1		Select Panel Assembly
	455,050,500.13	368/440/501/600 NON SII (8 Select)
	468,050,200.03	276/432 NON SII (6 Select)
	466,050,200.03	348/414 NON SII (10 Select)
	581,050,100.03	414 SII (10 Select)
	581,050,400.13	368 SII (8 Select)
2		Select Panel
	801,805,970.01	368/440/501/600 (8 Select)
	801,805,980.01	432 (6 Select)
	801,805,960.01	414 (10 Select)
3		Door Harness
	See Wiring Harness Section	All Models
4		15-Way Plug (AMP 1-480710-0)
	904,600,830.01	All Models
5a		Socket, Relay (93-153-1)
	904,600,620.01	All Models
5b		Socket, Coin Changer (8 Pin Jones) (1-480-289-0)
	904,600,600.01	All Models
5c		Changer/Relay Socket Bracket
	453,050,160.53	All Models
6		Vend Relay (Single Price Only) (9320166623200ARB)
	804,200,170.11	All Models
7		1" Clamp, Heyco 3390
	901,901,890.01	All Models
8a		Select Button
	801,805,950.41	All Models
8b		Select Button Spring
	901,700,720.21	All Models
9a		Select Switch Bar Assembly
	455,051,300.03	NON SII (8 Select)
	581,050,500.03	SII (8 Select)
	466,050,300.03	NON SII (10 Select)
	581,050,200.03	SII (10 Select)
	472,050,300.03	NON SII (6 Select)
9b		Select Switch Bar
	455,050,130.03	8 Select
	466,050,020.03	10 Select
	472,050,020.03	6 Select
9c		Nylet
	902,000,580.01	All Models
9d		Switch Insulator
	801,805,920.31	All Models
9e		Select Switch
	804,100,710.21	NON SII
	804,100,740.21	SII
9f		Sold Out Lamp
	804,700,210.21	NON SII
	804,700,520.01	SII
9g		Card Retainer
	801,806,070.21	All Models
10		Flavor Cards
	Indicate Flavor	All Models
11		2-Way Cap
	904,600,700.01	All Models
12a		Assembly, Change Cup
	455,050,200.03	All Models
12b		Change Cup Funnel
	455,010,070.03	All Models
13		Crown Puller Cover Plate
	360,010,180.13	All Models
14		Crown Puller
	901,000,190.01	All Models

*Continued next page*

7Up (B7)

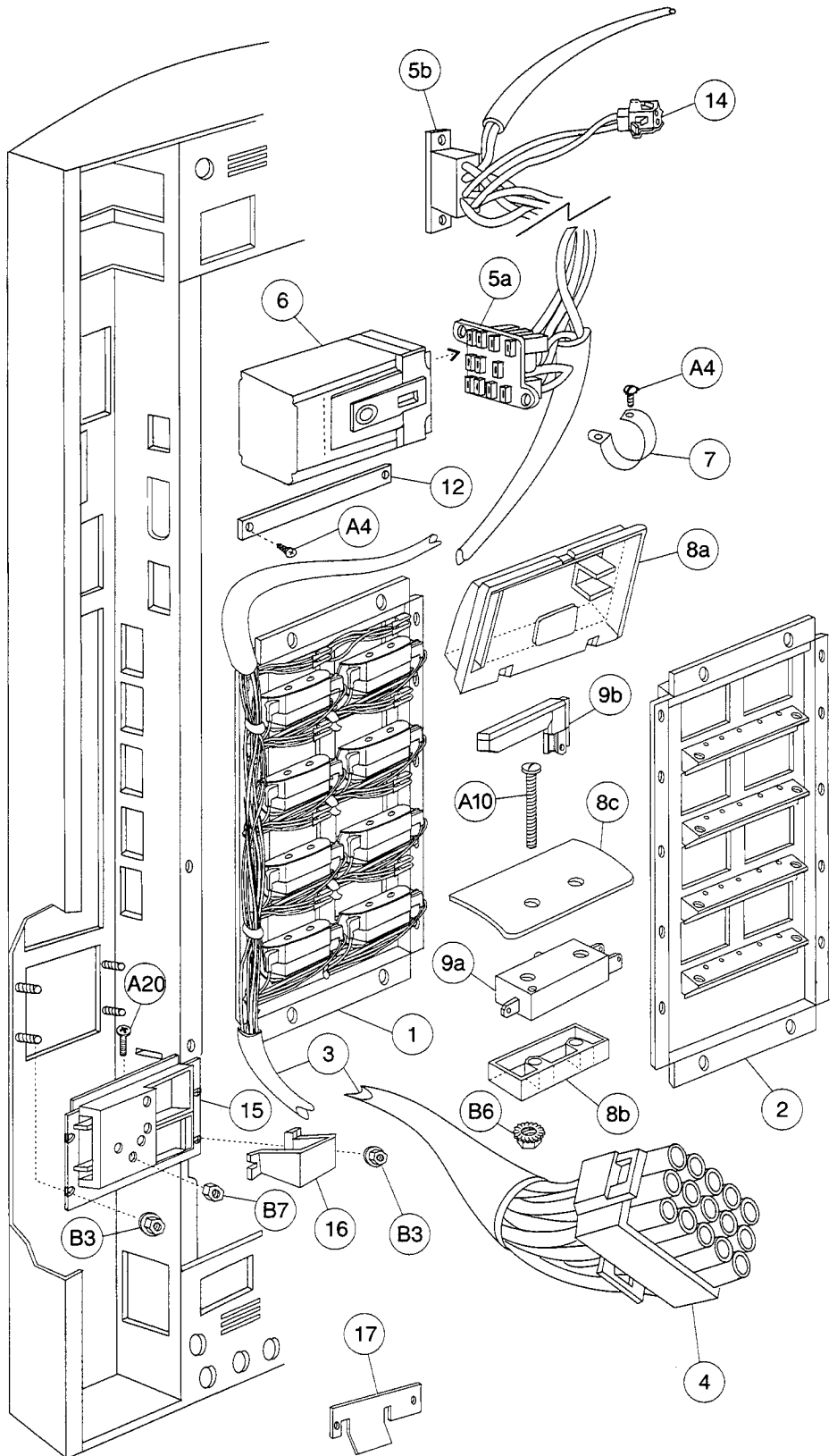






# Select Panel

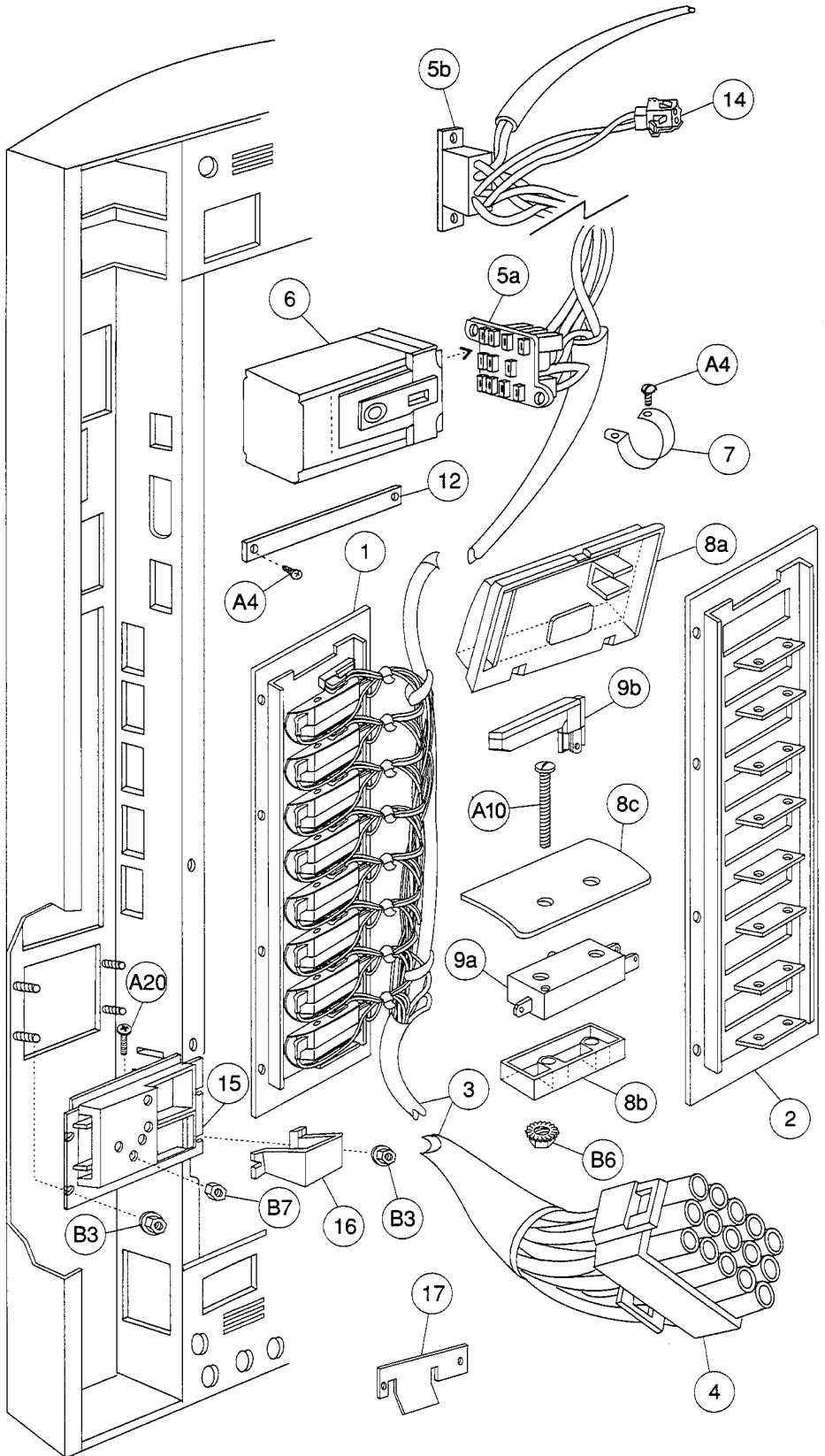
Veryfine Circular (0001-3194C0 to 0001-6169AS)



Veryfine Circular (0001-3194CO to 0001-6169AS)

Item	Part Number	Part Name And Description By Model Number
1		Select Panel Assembly
	515,050,800.03	368/501 MPC & NON SII (8 Select)
	583,050,100.03	368/501 SII (8 Select)
	580,050,000.03	360 NON SII (6 Select)
2		Select Panel
	515,050,900.03	368/501 Select Panel Front Assembly
	580,050,100.03	360 Select Panel Front Assembly
3		Door Harness
	See Wiring Harness Section	All Models
4		15-Way Plug (Amp 1-480710-0)
	904,600,830.01	All Models
5a		Socket, Relay (93-153-1)
	904,600,620.01	All Models
5b		Socket, Coin Changer (8 Pin Jones) (1-480-289-0)
	904,600,600.01	All Models
6		Vend Relay (Single Price Only) (9320166623200ARB)
	804,200,170.11	All Models
7		1" Clamp, Heyco 3390
	901,901,890.01	All Models
8a		Select Button Assembly
	801,806,760.11	All Models
8b		Select Button Stop
	801,804,540.41	All Models
8c		Insulator, Switch Shield & Spring, Mylar
	801,804,620.31	All Models
9a		Select Switch
	804,100,510.21	NON SII
	804,100,760.11	SII
9b		Sold Out Lamp
	804,700,510.01	NON SII & VRV NON SII
	804,700,570.01	SII & NON VRV SII (Production Run 6156 and higher)
	804,700,520.01	NON VRV SII (Prior to 6156)
10		Flavor Cards
	Indicate Flavor	All Models
11		Bracket, Relay/Changer Socket (NON MPC/NON SII)
	453,050,160.53	All Models
12		Door Strap
	523,050,110.13	MPC
	572,050,130.43	SII
	453,050,140.03	360/368/501 NON MPC & NON SII
13		Door Switch
	804,100,770.21	SII
	804,100,640.01	MPC
14		2 Way Cap (1-480-699-0)
	904,600,700.01	All Models
15		Change Cup & Opener Bezel
	801,805,610.41	All Models
16		Change Cup
	801,805,530.61	All Models
17		Opener Housing Reinforcement Plate
	399,050,270.13	All Models
B6	900,800,490.01	Keps Nut, #6 - 32
A20	900,201,220.11	Screw, Machine Phil Pan #8 - 32 x 3/4"
B7	900,800,510.01	Elastic Stop Nut #8 - 32
A4	900,301,500.01	Screw, Phil Pan w/out washer #8 - 18 x 1/2"
A9	900,301,560.11	Screw, Phil Pan Swage Form #8 - 32 x 3/8"
D1	900,400,430.01	T-Bolt #8 - 32 x 1"
B3	900,800,500.01	Keps Nut #8 - 32
A10	900,201,310.01	Screw, Machine #6 - 32 x 1 1/4"
A6	900,300,470.01	Screw, Vend Motor #4 x 3/4"

Veryfine/RC Inverted " L" Circular



## Veryfine/RC Inverted " L" Circular

Item	Part Number	Part Name And Description By Model Number
1		Select Panel Assembly
	480,050,300.03	368/440/501 NON SII (8QB)
	572,052,400.03	368/440/501 SII (8QB)
	565,150,600.03	522 SII (6QB)
	479,050,600.03	414 (10QB)
2		Select Panel
	480,050,200.33	368/440/501 (8QB) weld assembly Front Control Panel
	488,050,200.23	522 (6QB) weld assembly Front Control Panel
	479,050,500.03	414 (10QB) weld assembly Select Panel
3		Door Harness
	See Wiring Harness Section	All Models
4		15-Way Plug (Amp 1-480710-0)
	904,600,830.01	All Models
5a		Socket, Relay (93-153-1)
	904,600,620.01	All Models
5b		Socket, Coin Changer (8 Pin Jones) (1-480-289-0)
	904,600,600.01	All Models
6		Vend Relay (Single Price Only) (9320166623200A)
	804,200,170.11	All Models
7		1" Clamp, Heyco 3390
	901,901,890.01	All Models
8a		Select Button
	801,805,110.01	All Models
8b		Select Button Stop
	801,804,540.41	All Models
8c		Insulator, Switch Shield & Spring, Mylar
	801,804,620.31	All Models
9a		Select Switch
	804,100,510.21	NON SII
	804,100,760.11	SII
9b		Sold Out Lamp
	804,700,510.01	NON SII & VRV NON SII
	804,700,570.01	SII & NON VRV SII (Production Run 6156 and higher)
	804,700,520.01	NON VRV SII (Prior to 6156)
10		Flavor Cards
	Indicate Flavor	All Models
11a		Bracket, Relay/Changer Socket (NON MPC/NON SII)
	453,050,160.53	All Models
11b		Bracket, 15 Pin Cinch J Plug
	524,050,140.23	All Models
12		Door Strap
	572,050,130.43	SII
	453,050,140.03	NON SII
13		Door Switch
	804,100,770.21	SII - All Models
14		2 Way Cap (1-480-699-0)
	904,600,700.01	All Models
15		Change Cup & Opener Bezel
	801,805,610.41	All Models
16		Change Cup
	801,805,530.61	All Models
17		Opener Housing Reinforcement Plate
	399,050,270.13	All Models
B6	900,800,490.01	Keps Nut, #6 - 32
A20	900,201,220.11	Screw, Machine Phil Pan #8 - 32 x 3/4"
B7	900,800,510.01	Elastic Stop Nut #8 - 32
A4	900,301,500.01	Screw, Phil Pan w/out washer #8 - 18 x 1/2"
A9	900,301,560.11	Screw, Phil Pan Swage Form #8 - 32 x 3/8"
D1	900,400,430.01	T-Bolt #8 - 32 x 1"
B3	900,800,500.01	Keps Nut #8 - 32
A10	900,201,310.01	Screw, Machine #6 - 32 x 1 1/4"
A6	900,300,470.01	Screw, Vend Motor #4 x 3/4"