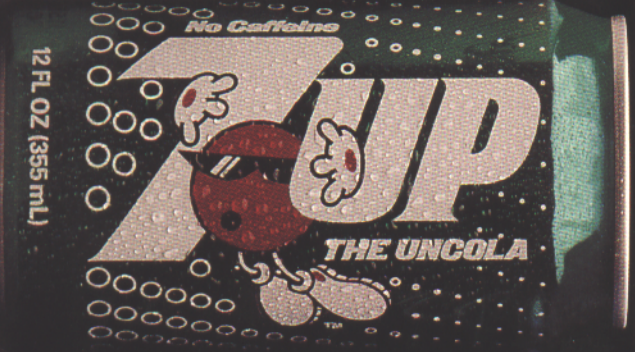
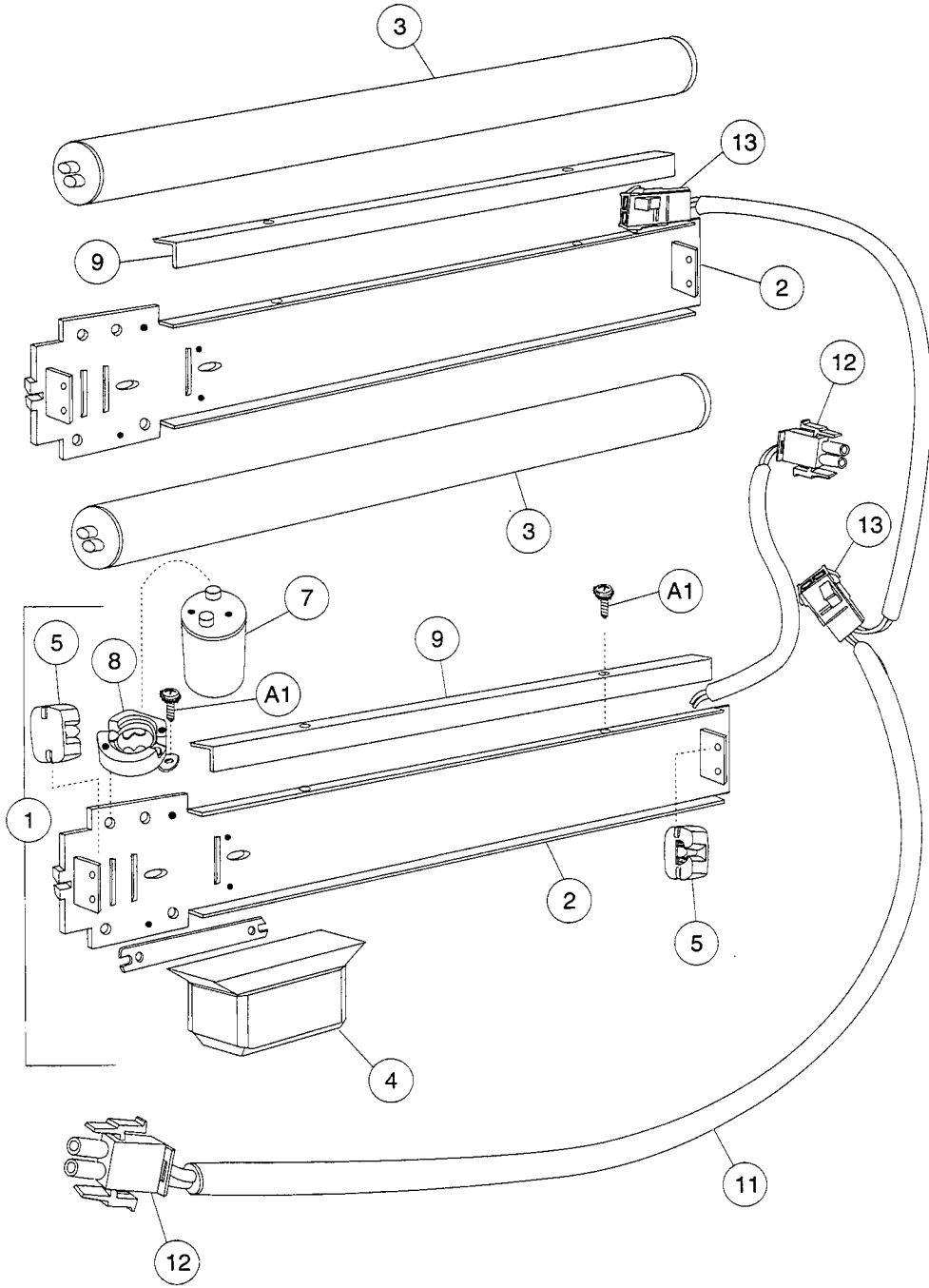


The Parts Book



Can Display



Cold Drink FLS, Dr Pepper (D3), Generic Round, 7Up (B7), Veryfine/RC Inverted "L" Circular

Item	Part Number	Part Name And Description By Model Number
SLIMLINE LIGHTING		
1		Fluorescent Bulb
	804,700,310.01	F72T12/DAYLT - 414/432/440/600 56 Watts
	804,700,300.01	F64T12/DAYLT - 276/348/360/368/501 51 Watts
	804,700,330.01	F48 Slimline - 168/180 39 Watts
2a		Door Bracket Lamp Socket
	432,050,380.73	7UP B7, Dr. Pepper D3, Generic Round, Veryfine/RC Inverted "L"
	562,050,040.03	Cold Drink FLS Only
2b		Top Lamp Holders Slimline
	804,902,020.01	Slimline - 516 All Models
2c		Bottom Lamp Holders
	804,902,030.01	Slimline - 517 All Models
3		Plug-In Ballast
	804,400,370.31	Advance Slimline SM2E57 - 276/348/368/414/432/440/501/600
	804,400,390.11	Advance Slimline SM2E40 - 168/180
4		Connector, Electrical (scotchlock 557)
	904,800,520.01	All Models
5		Two Way Plug (1-480-698-0)
	904,600,710.01	All Models
6		Nine Way Plug (1-480-706-0)
	904,600,670.01	All Models
7		Nine Way Cap (1-480-707-0)
	904,600,660.01	All Models
8		Lead, Slimline Output Light Harness (Plug-in ballast)
	804,909,490.01	All Models
HIGH OUTPUT LIGHTING		
1		Fluorescent Bulb
	804,700,360.01	F72T12/D/HO - 414/432/440/600 85 Watts
	804,700,370.01	F64T12/D/HO - 276/348/360/368/501 80 Watts
	804,700,390.01	F48T HO - 168/180 60 Watts
2a		Door Bracket Lamp Socket
	432,050,380.73	7UP B7, Dr. Pepper D3, Generic Round, Veryfine/RC Inverted "L"
	562,050,040.03	Cold Drink FLS Only
2b		Top Lamp Holders
	804,901,990.01	High Output - 523 All Models
2c		Bottom Lamp Holders
	804,902,000.01	High Output - 524 All Models
3		Plug-In Ballast Advance #VSM/HO
	804,400,380.11	All Models
4		Connector, Electrical (scotchlock 557)
	904,800,520.01	All Models
5		Two Way Plug (1-480-698-0)
	904,600,710.01	All Models
6		Nine Way Plug (1-480-706-0)
	904,600,670.01	All Models
7		Nine Way Cap (1-480-707-0)
	904,600,660.01	All Models
8		Lead, High Output Light Harness (Plug-in ballast)
	804,909,480.01	All Models
9		Lamp Fixture Jumper, High OutPut (602830)
	804,904,920.21	All Models
10		Fluorescent Bulb
	804,700,350.01	B7 276 only F13T8CW 13 Watts
A1	900,301,700.11	Screw, Phil Pan Swage Form #6-32 x3/8"

Veryfine Circular (0001-3194CO to 0001-6169AS)

