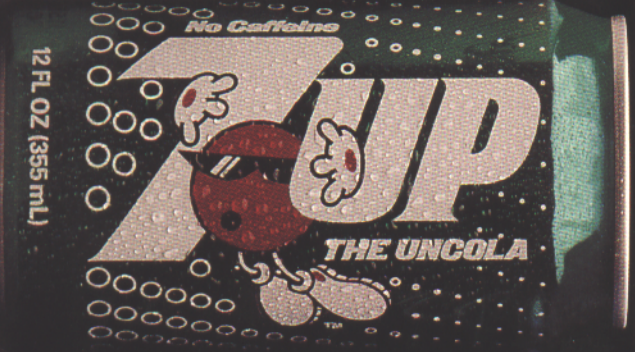
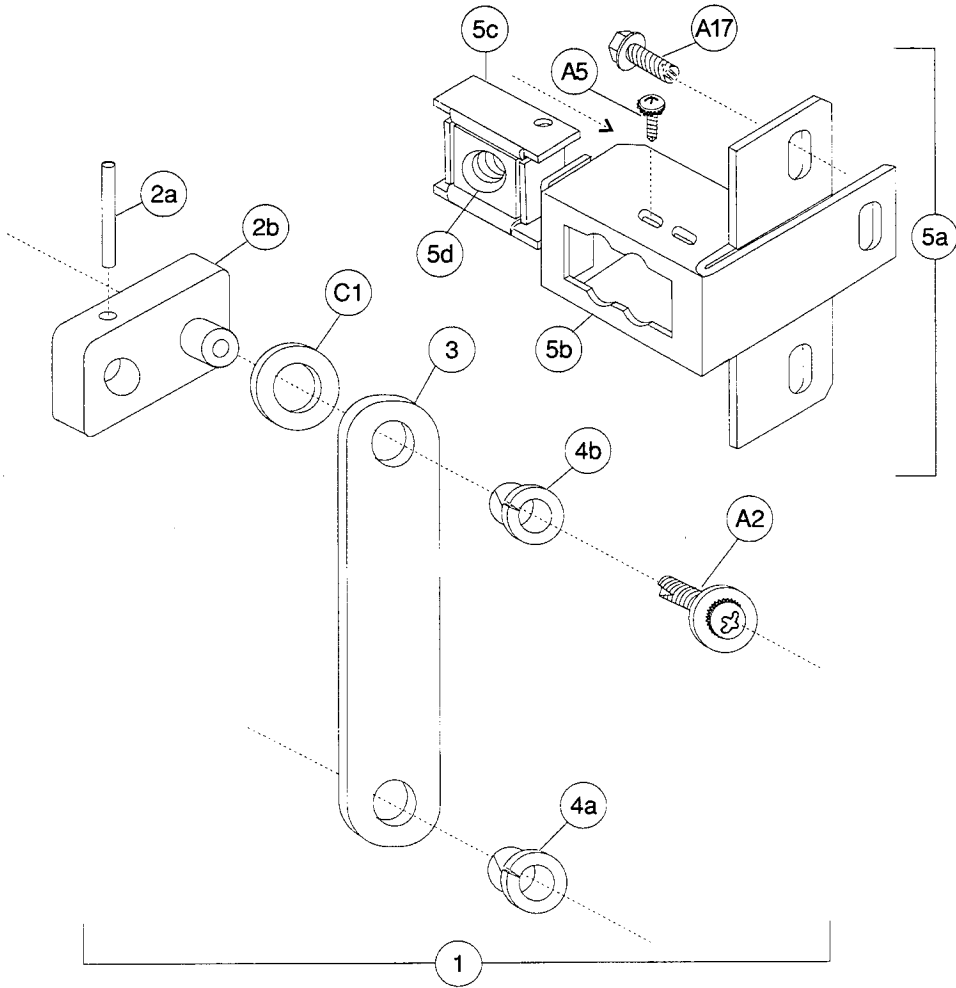


The Parts Book



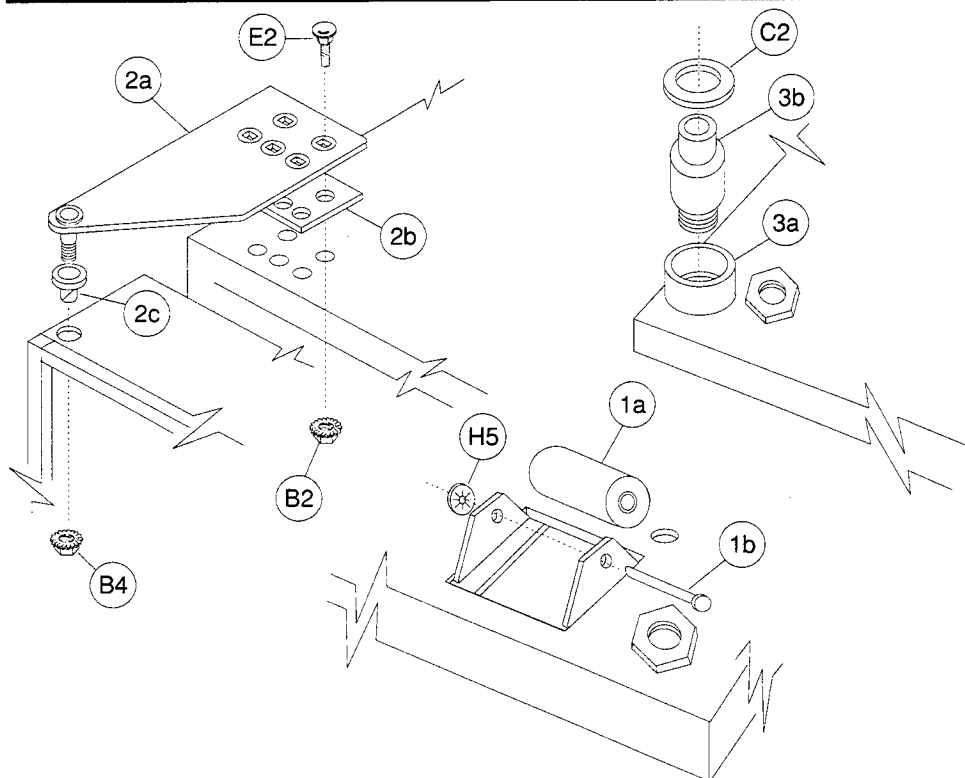
Two-Bar Linkage & Nut Retainer Housing

Can Display, Cold Drink FLS, Dr Pepper (D3), Generic Round, 7Up (B7),
Veryfine Circular(0001-3194CO to 0001-6169AS), Veryfine/RC Inverted "L" Circular



Hinges & Roller Assembly

Can Display, Cold Drink FLS, Dr Pepper (D3), Generic Round, 7Up (B7),
Veryfine Circular(0001-3194CO to 0001-6169AS), Veryfine/RC Inverted "L" Circular



Parts List - Two-Bar Linkage & Nut Retainer Housing **Dixie-Narco**

Can Display, Cold Drink FLS, Dr Pepper (D3), Generic Round, 7Up (B7),
Veryfine Circular(0001-3194C0 to 0001-6169AS), Veryfine/RC Inverted "L" Circular

Item	Part Number	Part Name And Description By Model Number
1		Linkage & Drive Arm Assembly
	491,070,500.03	All Models
2a		Groove Pin, 1/8 x 1 3/16 (30mm) - T2
	900,901,940.21	All Models
2b		Drive Arm
	801,200,950.81	All Models
3		Linkage Arm
	801,201,030.11	All Models - Zinc
4a		Nyliner, Top
	901,803,170.01	All Models
4b		Nyliner, Bottom
	901,804,770.01	All Models
5a		Traditional Nut Retainer Housing Assembly
	432,052,500.04	All Models
5b		Traditional Nut Retainer Housing
	432,050,730.23	All Models
5c		Cage Nut Traditional
	801,303,850.21	All Models
5d		Square Nut, 1/2-13 N.C.
	900,800,570.11	All Models
6a		Star Lock Nut Retainer Housing Assembly
	432,052,600.04	All Models
6b		Star Lock Nut Retainer Housing
	432,050,740.33	All Models
6c		Cage Nut Star Lock
	432,050,760.03	All Models
6d		Latch Housing Star Lock
	801,505,510.01	All Models
A11	900,301,960.11	Screw, Phil Pan Sems, #8-32 x 1/4"
C1	900,700,600.01	Flat Washer, Delrin .040
A2	900,301,640.21	Screw, Phil Pan Swage Form, #8-32 x 1/2"
A17	900,302,010.01	Screw, Type F, #1/4-20 x 5/8"
A5	900,301,970.11	Screw, Phil Pan Swage Form, #8-32 x 1/4"

Hinges & Roller Assembly

Dixie-Narco

Can Display, Cold Drink FLS, Dr Pepper (D3), Generic Round, 7Up (B7),
Veryfine Circular(0001-3194C0 to 0001-6169AS), Veryfine/RC Inverted "L" Circular

Item	Part Number	Part Name And Description By Model Number
1a		Roller, Main Door
	901,806,200.21	All Models
1b		Roller Pin
	900,502,190.21	All Models
2a		Top Hinge, Main Door
	801,303,730.21	All Models
2b		Top Hinge Spacer
	169,000,150.53	All Models
2c		Standard Flange Nyliner
	901,803,150.01	All Models
3a		Bottom Hinge Sleeve
	900,502,640.11	All Models
3b		Bottom Hinge Pin
	900,502,700.01	All Models
H5	900,900,900.01	Retainer, Roller Pin
E2	900,201,170.01	Carriage Bolt, 1/4 - 20 x 1
B2	900,800,670.01	Keps Nut, 1/4 - 20
C2	901,303,770.01	Flat Washer, Door Hinge
B4	900,800,690.01	Keps Nut, Top Door Hinge 3/8 - 16

When Ordering Parts, Indicate Model # And Serial # Of Vender.
All Parts Numbers And Prices Are Subject To Change Without Notice.

0495