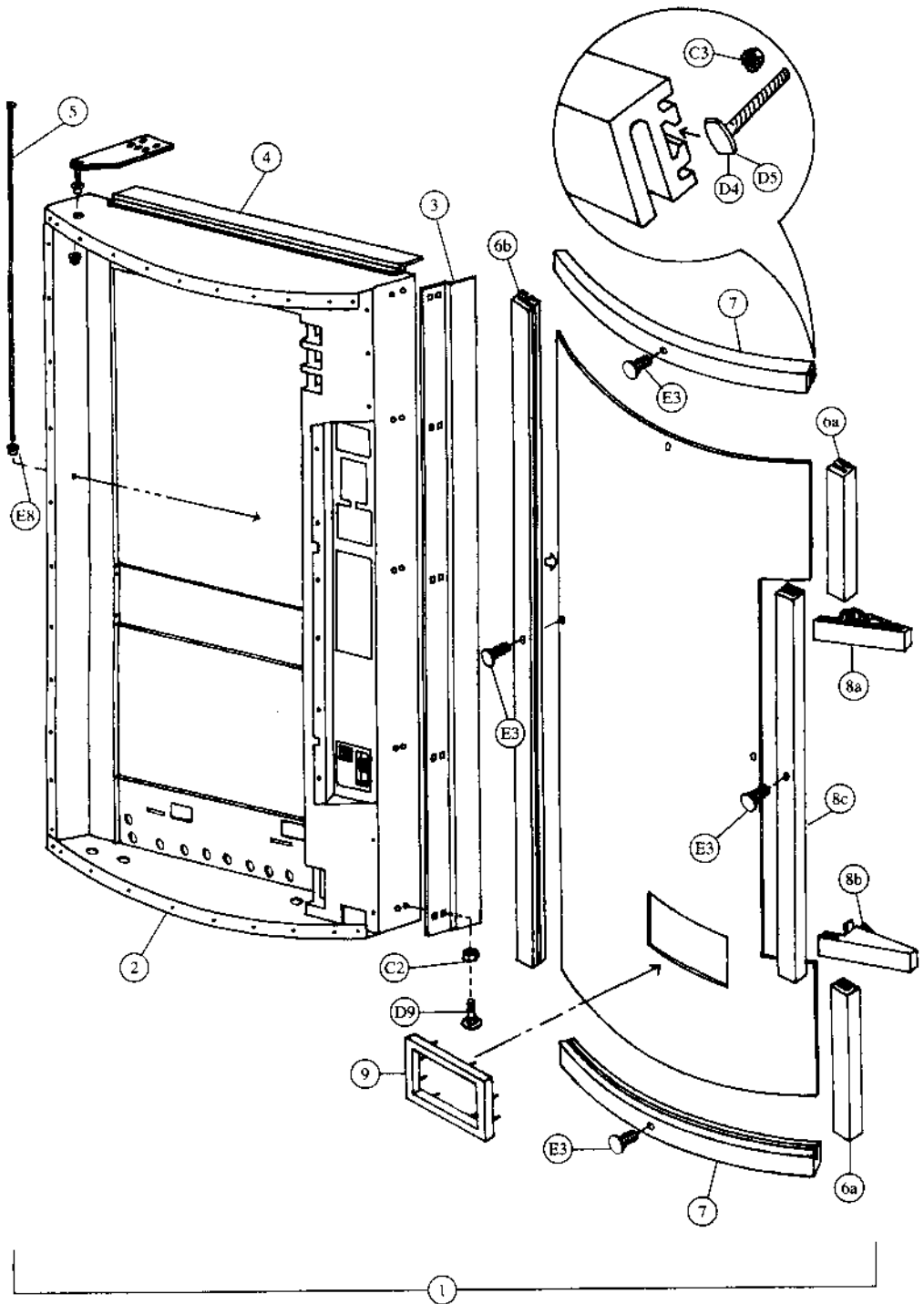




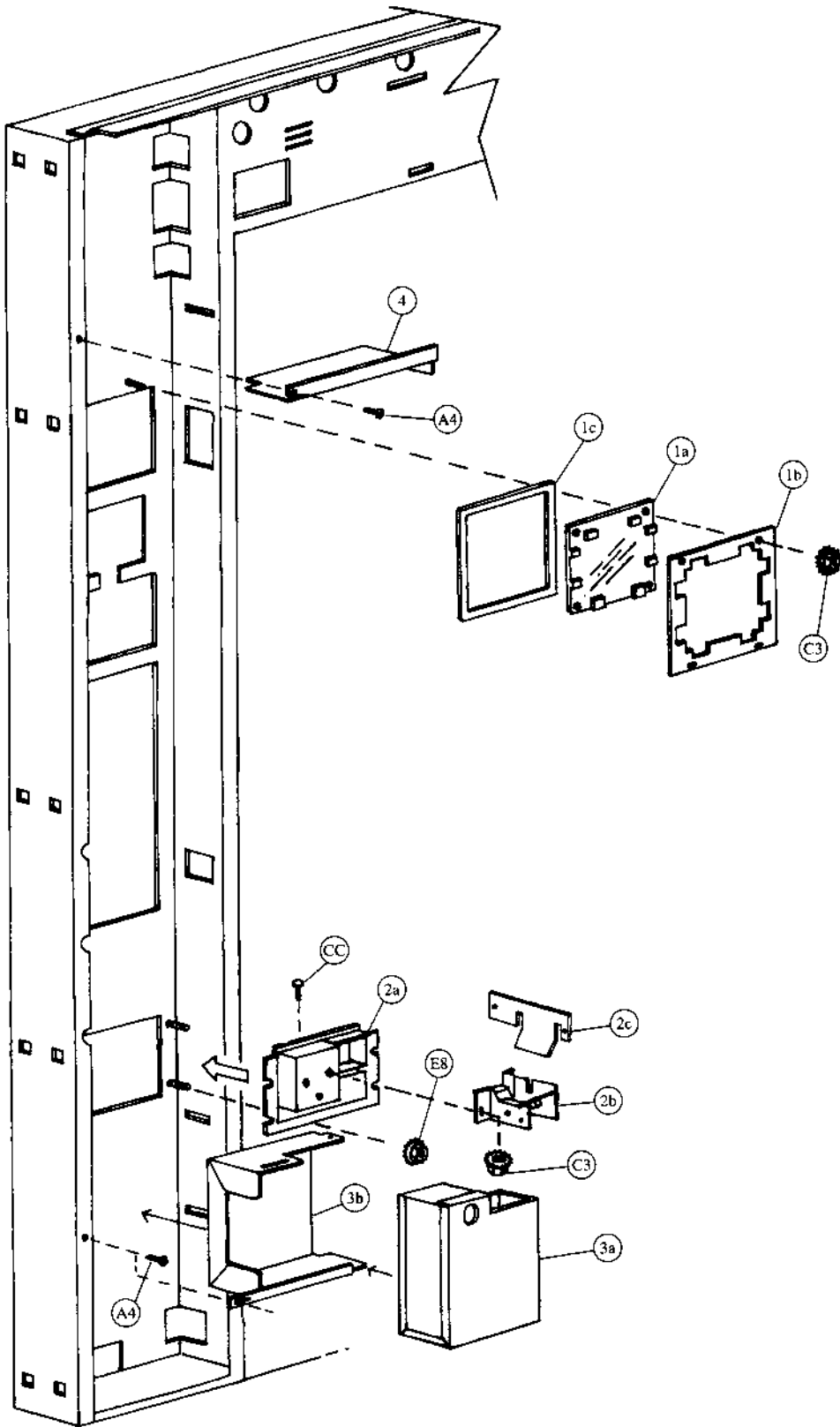
**Coke (Landscape)
DNCB 440CC, 432CC & 432WS**

Dimensions	79 1/2" H x 37 1/8" W x 30 1/2" D (2019mm H x 940mm W x 775mm D)	
Dimensions Less Door	79 1/2" H x 37 1/8" W x 27 1/2" D (2019mm H x 940mm W x 698mm D)	
Approximate Weight	730 lbs. (331kg)	
Selections/Columns	432/432WS	6/6
	440	7/8 or 8/8
Total 12 oz. (330ml) Cans Capacity/Vend	432/432WS	444/432
	440	448/432
Column Capacity 12 oz. (330ml) Cans	432/432WS	6 Double Columns - 74 Each
	440	4 Double Columns - 38 Each 4 Double Columns - 74 Each

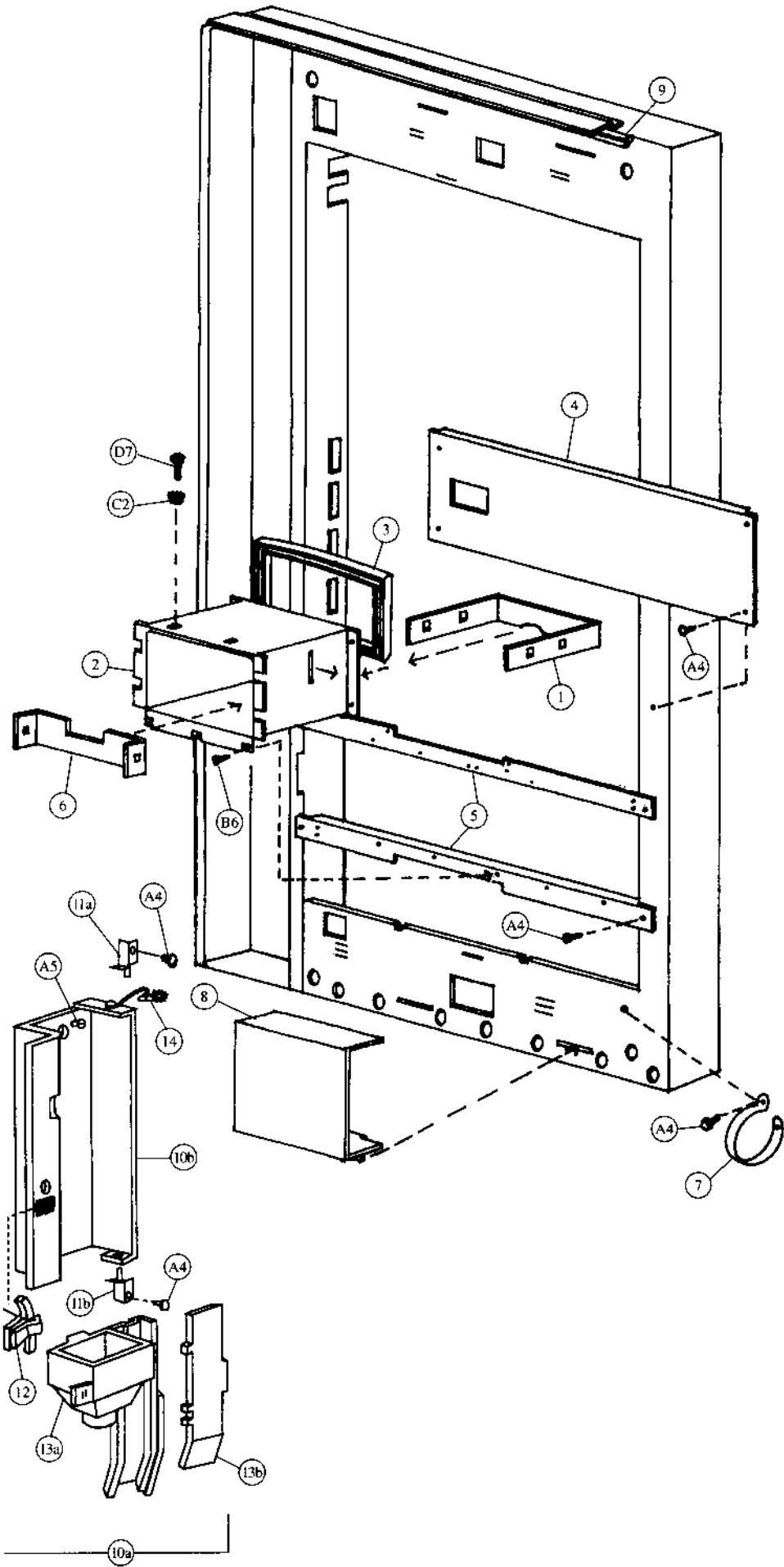
Main Door - Exterior - Coke (Landscape)



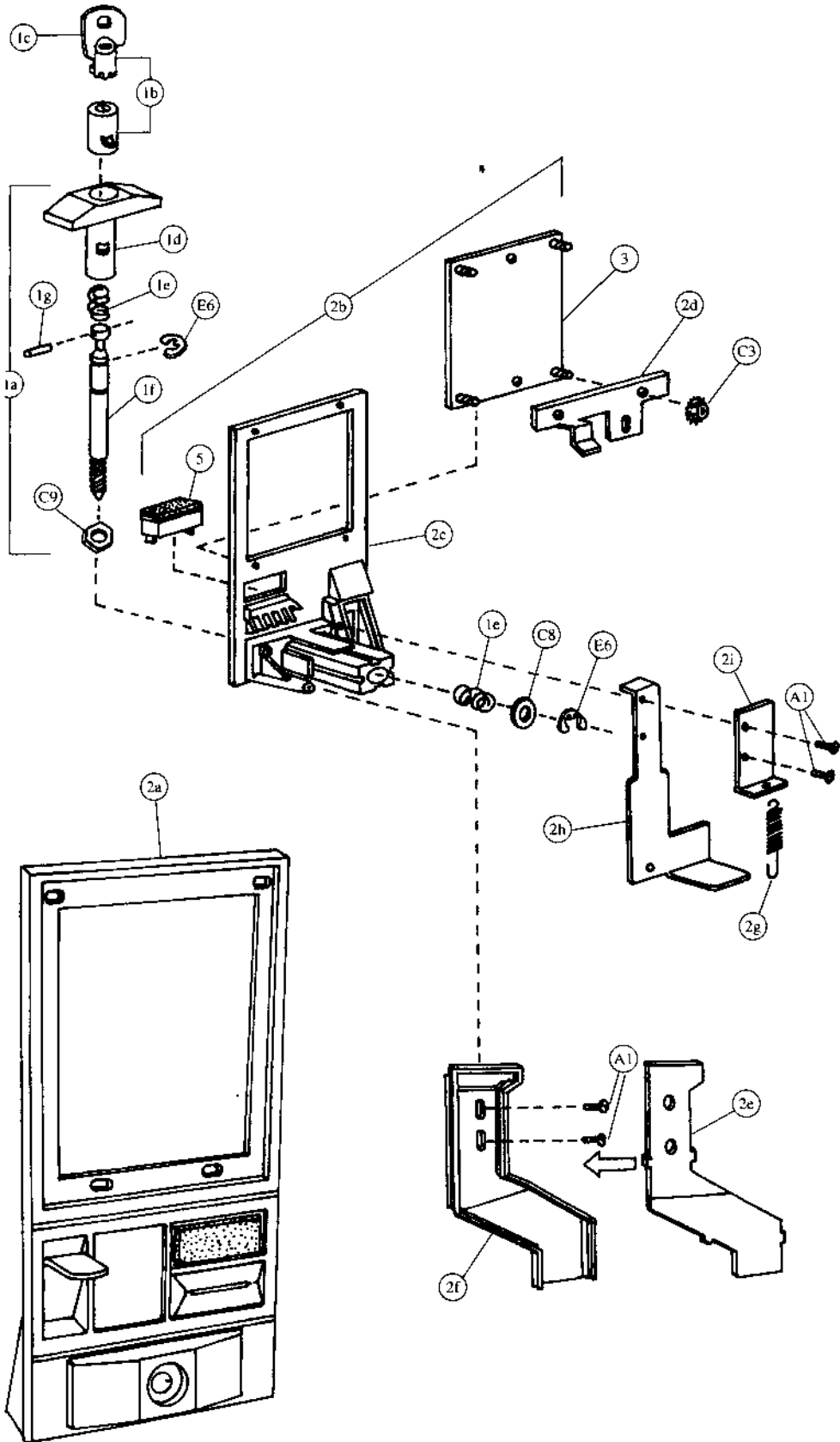
Main Door - Interior (A) - Coke (Landscape)



Main Door - Interior (B) - Coke (Landscape)



Pull-Out Handle & Coin Insert - Coke (Landscape)

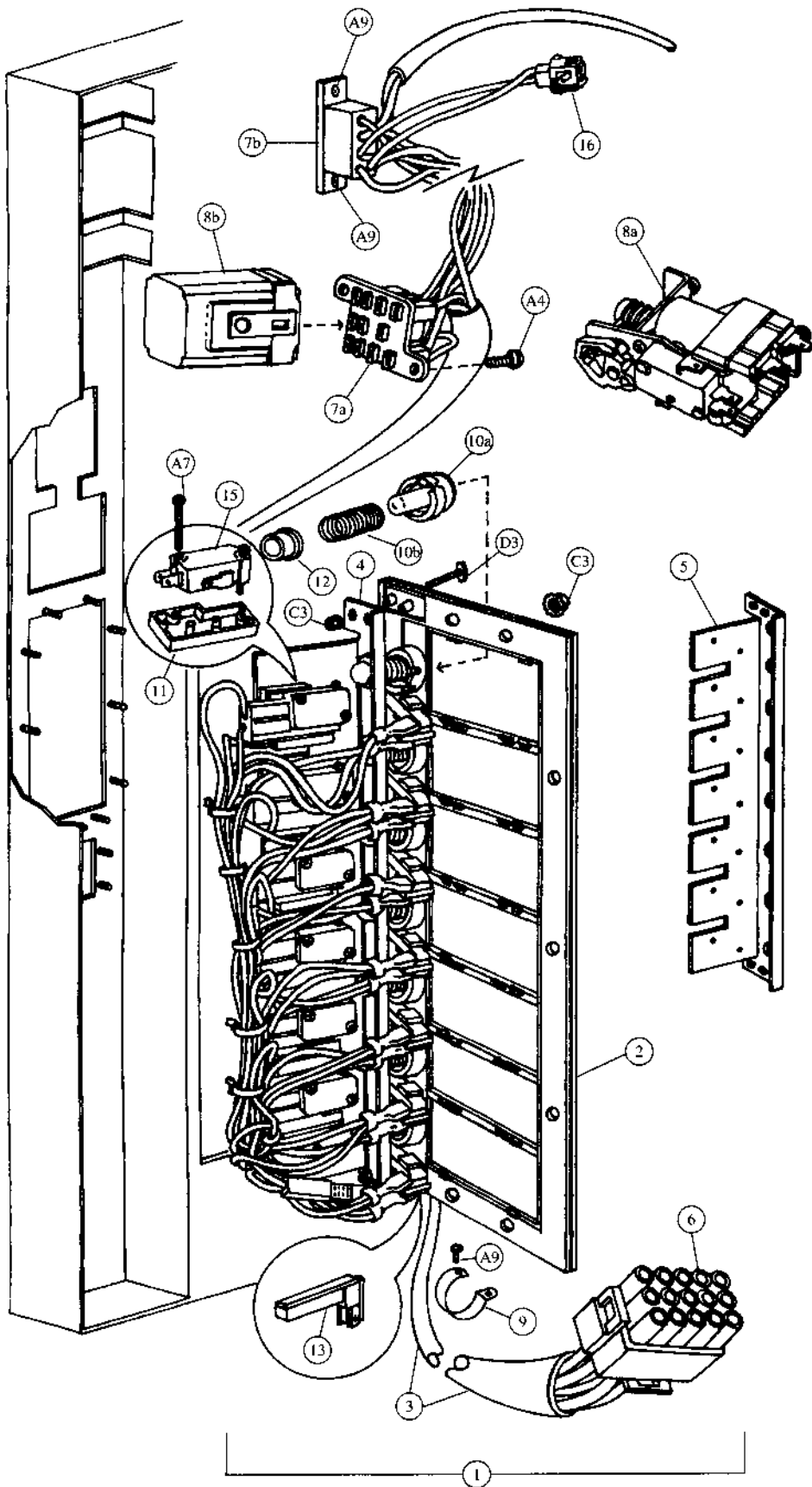


Pull-Out Handle & Coin Insert - Coke (Landscape)

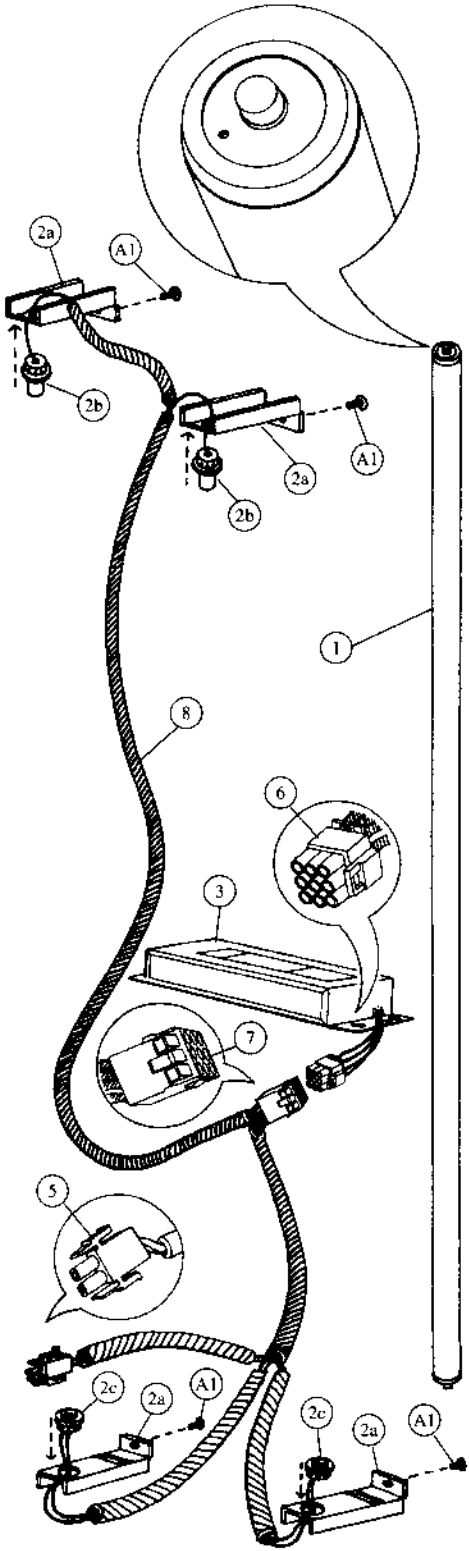
Item	Part Number	Part Name And Description
1a	801,503,040.01	T Handle Assembly
1b	Specify key number	Lock with Two Keys
1c	Specify key number	Key Only
1d	801,505,730.01	Handle Only
1e	901,503,050.01	Spring
1f	4255-6-44W	Stud
1g	901,503,090.11	Cross Pin
2a	See list below	Complete Coin Insert Kit with T Handle
	491,010,800.04	Domestic (USA and Canada)
	Not applicable	Export (All others except listed below)
	Not applicable	Mexico
	Not applicable	Argentina - Token
2b	See list below	Complete Coin Insert Kit without T Handle
	491,050,500.03	Domestic (USA and Canada)
	491,150,500.03	Export (All others except listed below)
	480,350,500.03	Mexico
	480,550,500.03	Argentina - Token
2c	See list below	Coin Insert Only
	801,201,160.41	Domestic (USA and Canada)
	801,201,170.21	Export (All others except listed below)
	801,201,280.11	Mexico
	801,201,270.21	Argentina - Token
2d	453,050,130.83	Coin Insert Retainer
2e	801,805,800.31	Coin Chute Cover
2f	801,805,790.61	Coin Chute
2g	901,700,630.11	Spring Extension
2h	453,050,800.03	Coin Return Plunger Assembly
2i	432,050,570.33	Plunger Bracket
3	432,050,210.23	Validator Plate
4	See list below	Instruction Label (not shown)
	803,822,940.01	English
	903,832,680.01	Irish
	803,825,760.01	Spanish
	803,825,410.01	French
	803,825,750.01	Italian
	803,825,740.01	German
5	See list below	Correct Change Lamp
	904,700,180.31	English "Use Correct Change"
	804,700,500.11	English, IEC Standard "Use Correct Change"
	804,700,440.31	Spanish "Importe Exacto"
	804,700,450.21	French "Faites L'Appoint"
	804,700,400.21	Italian "Usare Monete Contate"
	804,700,470.21	Turkish "Lutfen Para Atiniz"
	804,700,480.21	German "Abgezahltes Geld Verwendeb"
	904,700,490.21	Portuguese "Introduza Quantia Exacta"
6	801,806,080.11	Drip Chute (not shown)

E6	901,503,070.01	E Ring	(2)
C8	901,503,060.01	Flat Washer	
C9	901,503,080.01	Hex Washer	
A1	900,301,700.01	Sems Screw #6-32 x 3/8	(4)
C3	900,800,500.01	Keps Nut #8-32	(4)

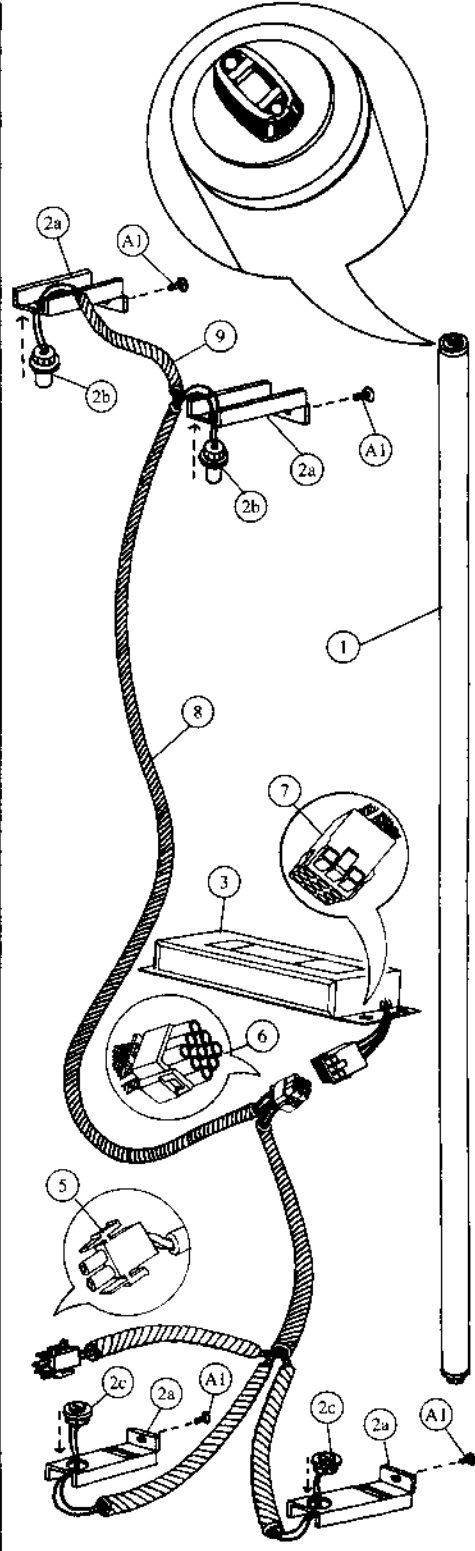
Select Panel - Coke (Landscape)



Lighting - Coke (Landscape)



Slimline



High-Output

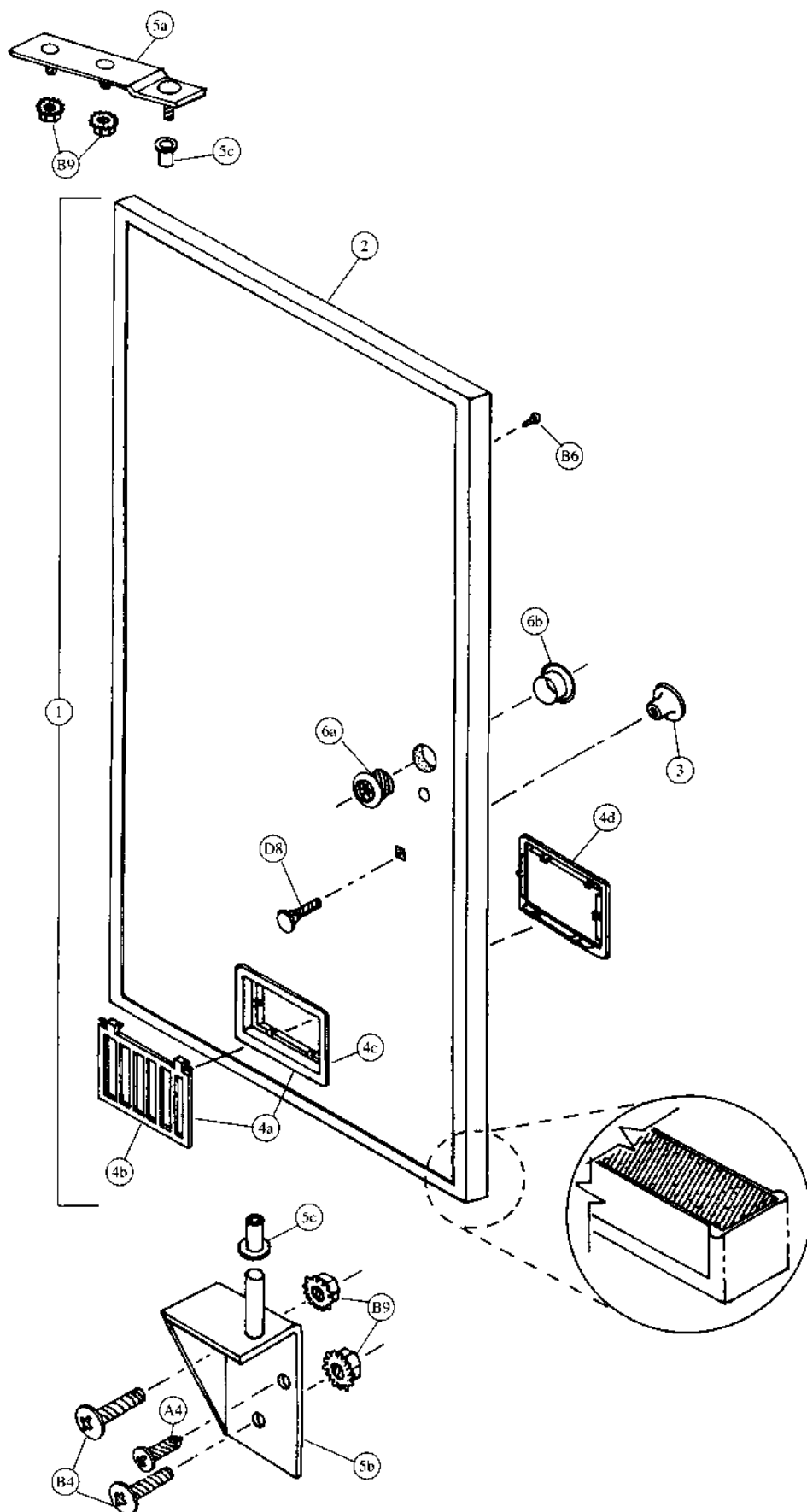
Lighting - Coke (Landscape)

Item	Part Number	Part Name And Description
High-Output Lighting		
1	804,700,360.01	Fluorescent Bulb - F72T12/D/HO
2a	432,050,380.63	Door Bracket Lamp Socket
2b	804,901,990.01	Top Lamp Holders - 523
2c	804,902,000.01	Bottom Lamp Holders - 524
3	804,400,380.01	Plug-In Ballast, Advance #VSM/HO
4	904,800,520.01	Connector, Electrical (not shown) (scotchlock 557)
5	904,600,710.01	2-Way Plug
6	904,600,670.01	9-Way Plug
7	904,600,660.01	9-Way Cap
8	804,904,510.21	Plug-In Ballast Harness, High Output
9	804,904,920.11	Lamp Fixture Jumper, High Output

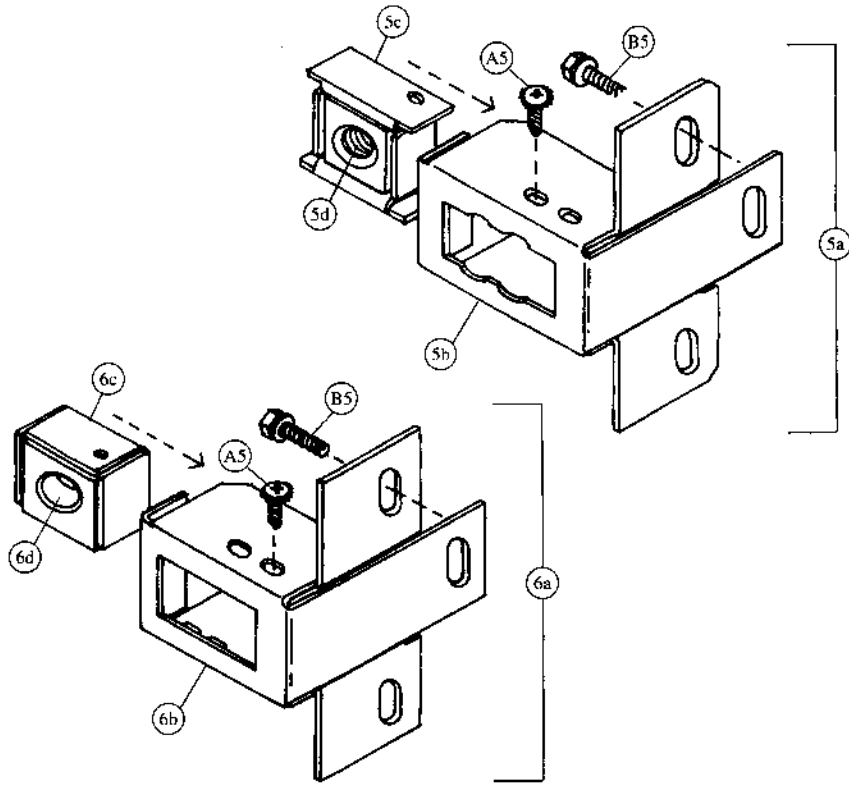
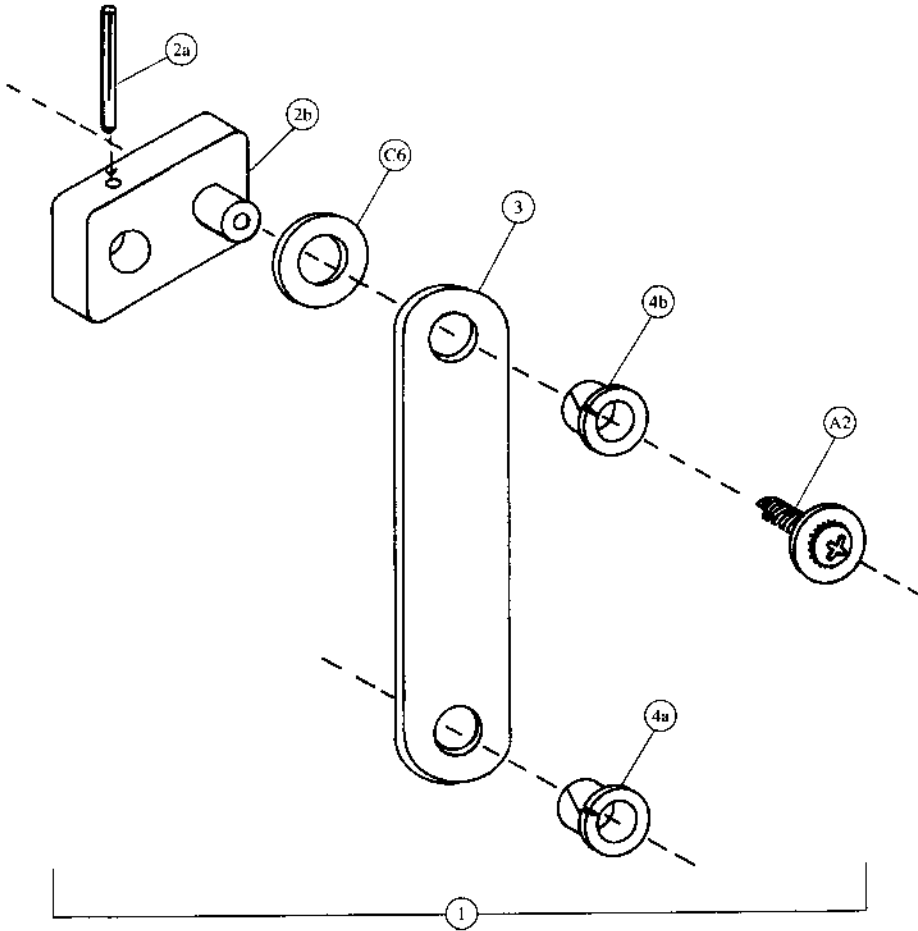
Slimline Lighting		
1	804,700,310.01	Fluorescent Bulb - F72T12/DAYLT
2a	432,050,380.63	Door Bracket Lamp Socket
2b	804,902,020.01	Top Lamp Holders - 516
2c	804,902,030.01	Bottom Lamp Holders - 517
3	804,400,370.01	Plug-In Ballast - Advance Slimline
4	904,800,520.01	Connector, Electrical (not shown) (scotchlock 557)
5	904,600,710.01	2-Way Plug
6	904,600,670.01	9-Way Plug
7	904,600,660.01	9-Way Cap
8	804,904,600.61	Plug-In Ballast Harness, Slimline

A1	900,301,700.01	Sheet Metal Screw #6 - 32 x 3/8 (4)
----	----------------	-------------------------------------

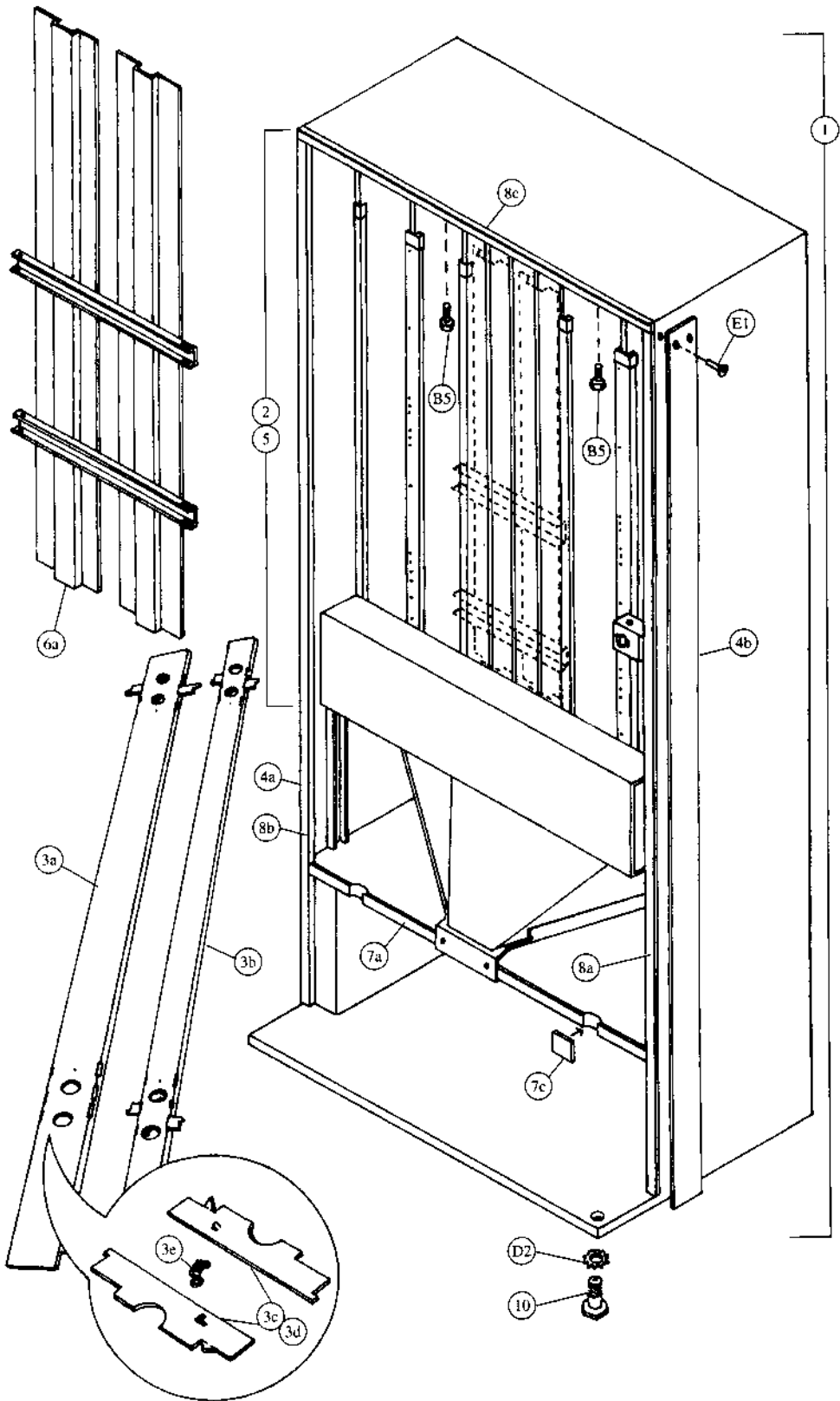
Inner Door - Coke (Landscape)



Two-Bar Linkage & Nut Retainer Housing - Coke (Landscape)



Cabinet Interior - Coke (Landscape)

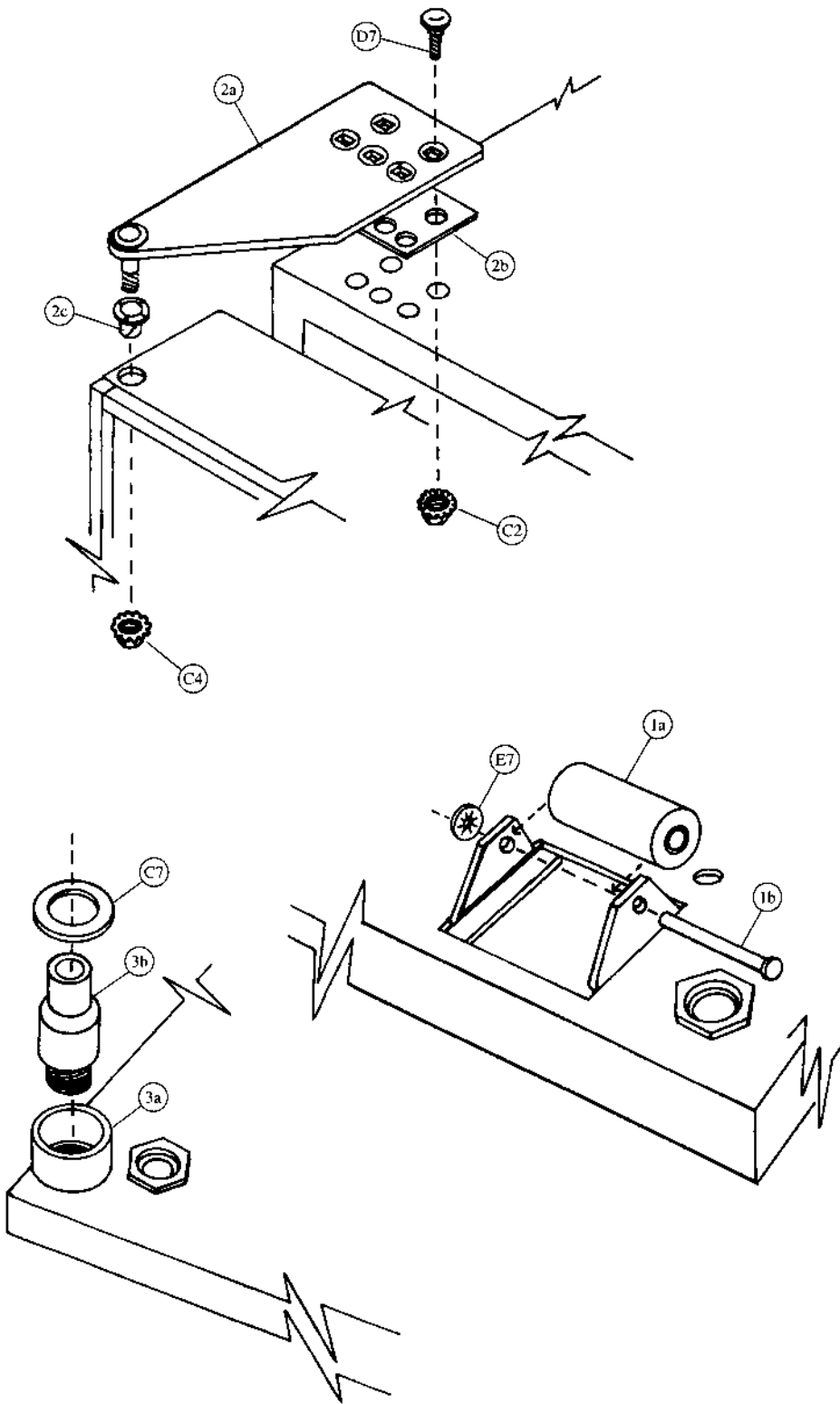


Cabinet & Vend Mechanism - Coke (Landscape)

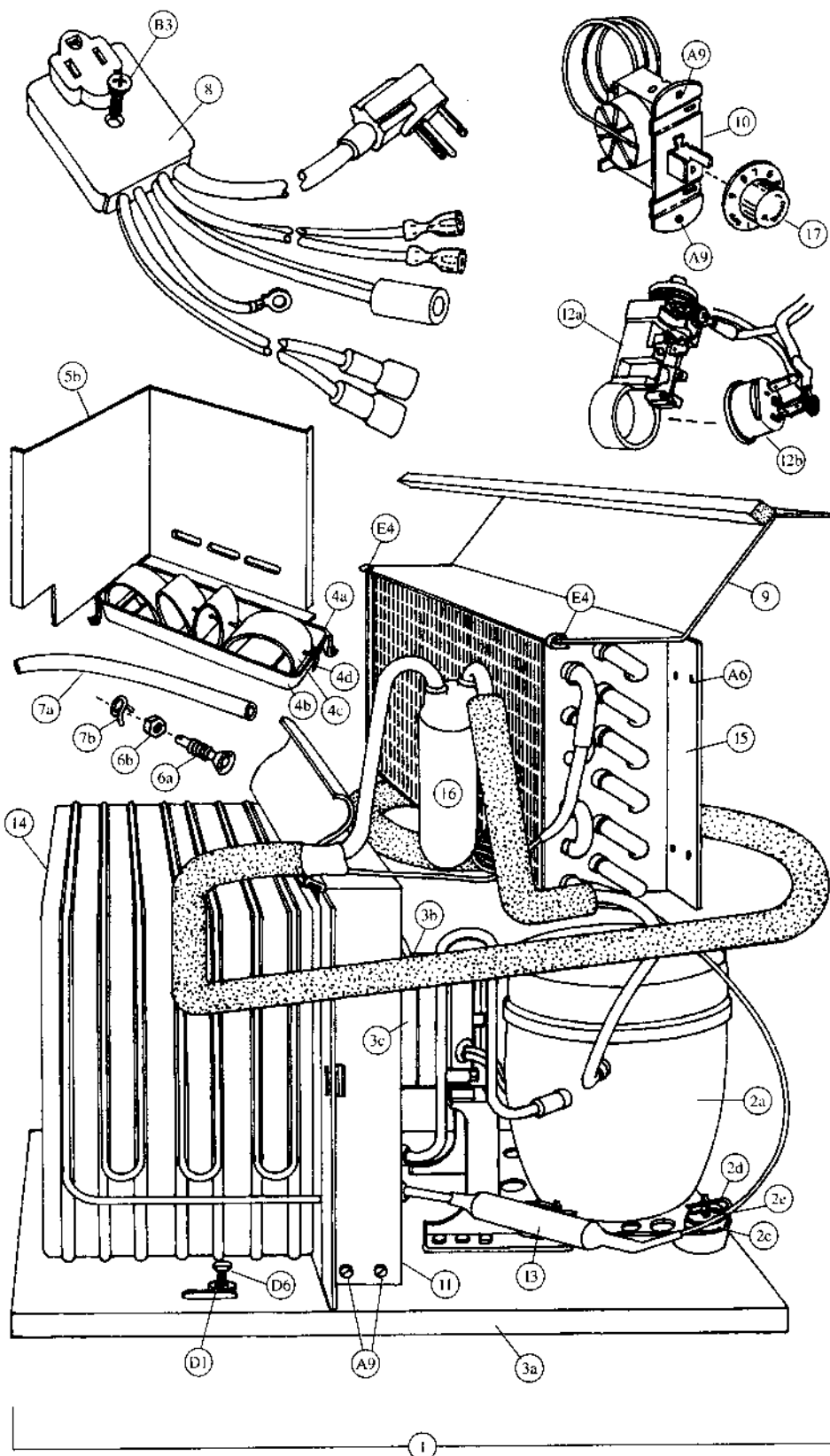
Item	Part Number	Part Name And Description
1	491,070,050.33	Vend Motor Cover, Wide
	491,071,200.23	Vend Motor Cover, Wide - IEC Standard
2a	See list below	Vend Motor Assembly, Wide
	491,070,300.03	Single Price
	491,170,100.03	Two/Four Price
2b	801,806,390.21	Vend Cam, Blue
2c	801,806,400.11	Adjustable Cam, Gold
3a	See list below	Vend Motor Assembly, Narrow (440 only)
	491,070,400.03	Single Price
	491,170,200.03	Two/Four Price
3b	801,806,180.21	Vend Cam, Brown (440 only)
3c	801,806,610.21	Adjustable Cam, Brown (440 only)
4	See list below	Vend Motor Switch
	804,100,600.01	Single Price (Double Switch)
	804,100,690.01	Single Price - IEC Standard (Double Switch)
	804,100,700.01	Two/Four Price - IEC Standard (Triple Switch)
5	905,800,330.11	Vend Motor Switch Insulator
6	801,201,211.61	Vend Rotor - Narrow Column (440 only)
7a	801,201,010.01	Vend Oscillator - Wide Column
7b	901,700,650.31	Can Retainer Oscillator
8a	801,803,170.21	Nyliner, Rear (not shown)
8b	901,804,230.01	Nyliner, Front - Wide Column only (not shown)
9	267,070,370.43	Wire Shield
10a	804,100,610.01	Sold Out Switch Assembly
	804,100,680.01	Sold Out Switch Assembly - IEC Standard
10b	432,070,190.13	Sold Out Paddle
10c	901,700,740.01	Sold Out Paddle Spring
11	491,020,070.33	Mechanism Support
12a	See list below	Evaporator Fan Motor Assembly
	491,000,200.03	115v
	491,140,400.03	220-240v
12b	See list below	Evaporator Fan Motor
	804,500,590.01	115v
	804,500,520.01	220-240v
12c	164,040,080.73	Evaporator Fan Motor Bracket
12d	801,303,270.11	Evaporator Fan Blade
12e	902,100,290.01	Silencer
13a	491,071,100.03	Can Chute Assembly (includes 13b & 13c)
13b	211,170,010.43	Can and Bottle Chute
13c	211,070,020.43	Chute Liner (Kydex)
14a	903,300,770.01	Foam Block
14b	169,000,130.03	Hinge Pocket Cover
15	176,072,110.13	Journal

C1	900,901,510.02	Screw, Phil Pan Tapping
A3	900,301,830.01	Sems Screw #10 - 32 x 3/8 (8)
A6	900,600,230.02	Sheet Metal Screw, Type "A"
B8	900,301,690.01	Hex Tap Screw #8 - 32 x 3/8 (3)
A8	900,301,820.01	Vend Motor Screw #4 x 1 1/8 - Double Switch (16)
	900,301,610.01	Vend Motor Screw #4 x 1 1/2 - Triple Switch
A9	900,301,560.01	Sems Screw #8 - 32 x 3/8 (28)
E5	900,401,090.01	Grommet, Black Rubber #97 (3)
C5	900,800,850.01	Speed Nut
B1	900,301,850.01	Sems Screw #8 - 32 x 3/8

Hinges and Rollers - Coke (Landscape)



Refrigeration - Coke (Landscape)



Refrigeration System - Coke (Landscape)

Item	Part Number	Part Name And Description
1	Provide information listed	Complete Refrigeration System: Indicate unit model number from serial plate on unit base plate, refrigerant, voltage/hertz and country.
2a	Provide information listed	Compressor 1/2 HP: Indicate compressor manufacturer, voltage/hertz, refrigerant and complete manufacturer's model number.
2b	See list below	Compressor Lead Harness (not shown)
	904,900,611.01	All, except IEC Standard
	804,905,320.01	220-240v/50hz, IEC Standard
2c	902,000,570.01	Compressor Mounting Grommet
2d	900,901,880.01	Compressor Mounting Retainer Clip
2e	901,803,910.01	Compressor Grommet Plug, Plastic
3a	491,040,040.43	Condenser Base Plate
3b	See list below	Condenser Fan Motor Assembly
	491,040,200.03	115v
	491,140,300.03	220-240v
3c	See list below	Condenser Fan Motor
	804,500,670.01	115v
	804,500,700.01	220-240v
3d	800,103,370.02	Fan Blade (not shown)
4a	491,000,100.03	Drain Pan Assembly
4b	801,303,670.01	Drain Pan
4c	901,900,020.21	Soaker (8 required)
4d	901,400,060.11	Soaker Rod
5a	491,040,050.53	Condenser Baffle, Right Side (not shown)
5b	491,040,060.63	Condenser Baffle, Rear
6a	801,806,050.11	Drain Tube
6b	900,301,790.01	Drain Tube Nut
7a	901,900,500.01	Drain Hose
7b	900,901,030.01	Drain Hose Clamp
8	See listing below	Main Wiring Harness
	804,902,220.01 (a)	United States
	804,905,480.01 (b)	Australia, IEC 335 (not shown)
	804,905,490.01 (c)	United Kingdom, IEC 335 (not shown)
	804,902,160.21 (d)	Europe (not shown)
	804,903,160.01 (e)	Mexico (not shown)
	804,905,450.01 (f)	Italy (not shown)
	804,905,470.01 (g)	Danish, IEC 335 (not shown)
804,905,360.01 (h)	Germany, with Splashwater Protector (not shown)	
9	211,040,030.13	Top Fan Housing
10	802,800,410.01	Temperature Control
11	491,040,110.33	Fan Shroud Condenser
12a	Provide information listed	Relay: Indicate compressor manufacturer, model # and voltage/hz
12b	Provide information listed	Overload: Indicate compressor manufacturer, model # and voltage/hz
13	802,401,240.01	Dryer
14	802,600,550.01	Condenser
15	802,600,370.51	Evaporator
16	802,400,460.01	Accumulator
17	802,800,420.01	Knob, Temperature Control
A6	900,600,230.02	Sheet Metal Screw, Type "A" (not shown) (2)
A9	900,301,560.01	Sems Screw #8 - 32 x 3/4 (8)
B3	900,301,810.01	Screw, #10 - 32 x 1 1/2
D1	900,700,360.01	Lockwasher, 3/8" (2)
E4	900,901,890.01	Tinnerman Clip (2)
D6	900,400,440.01	Refrigeration Bolt 3/8 - 16 x 1 (2)

Signs and Decals - Coke (Landscape)



①



④

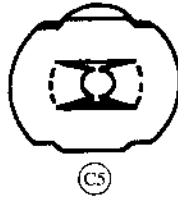
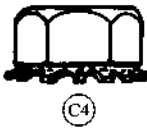
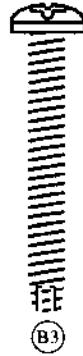


②



⑤

Screws & Nuts - Coke (Landscape)



Washers, Bolts & Misc. - Coke (Landscape)

