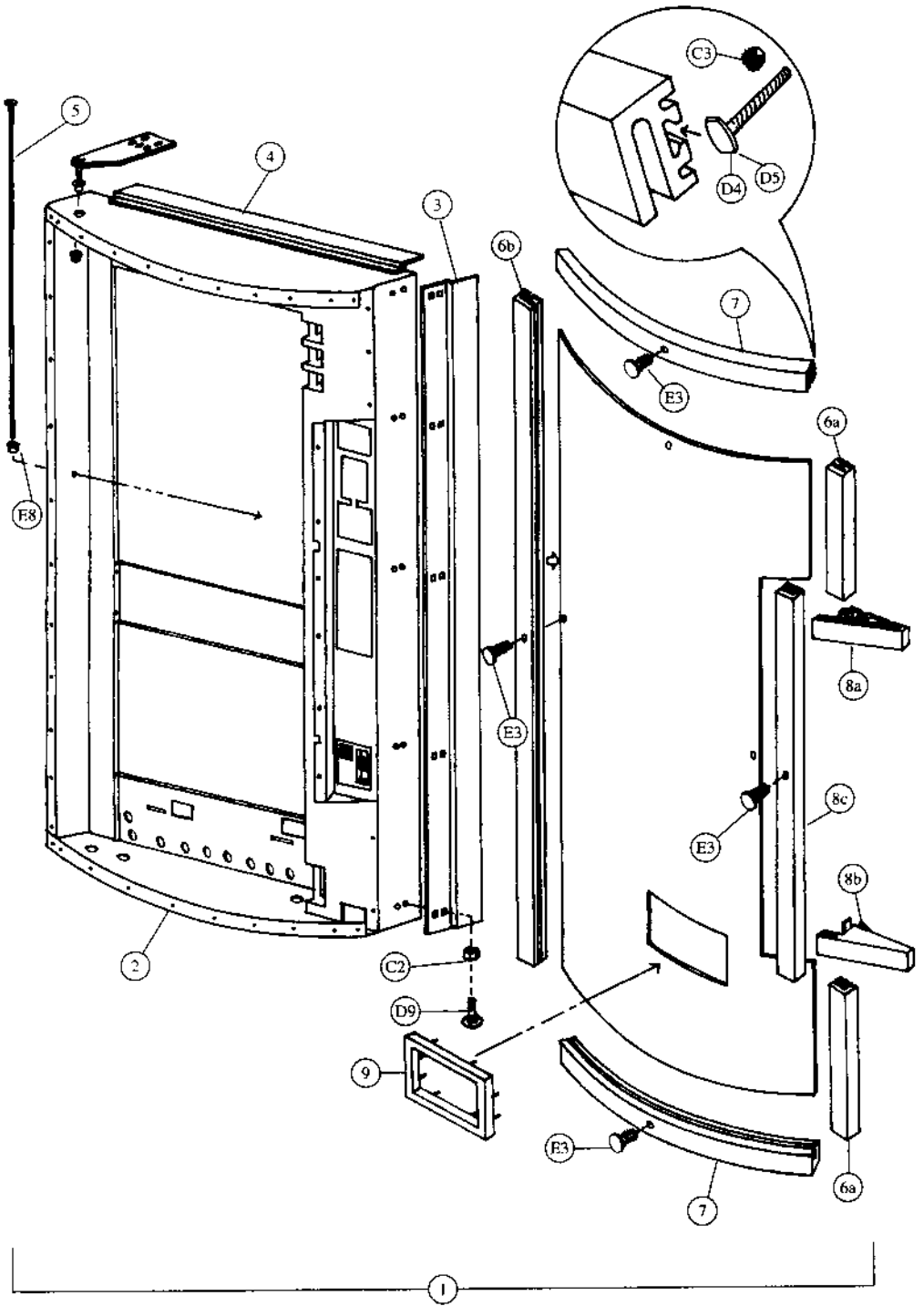


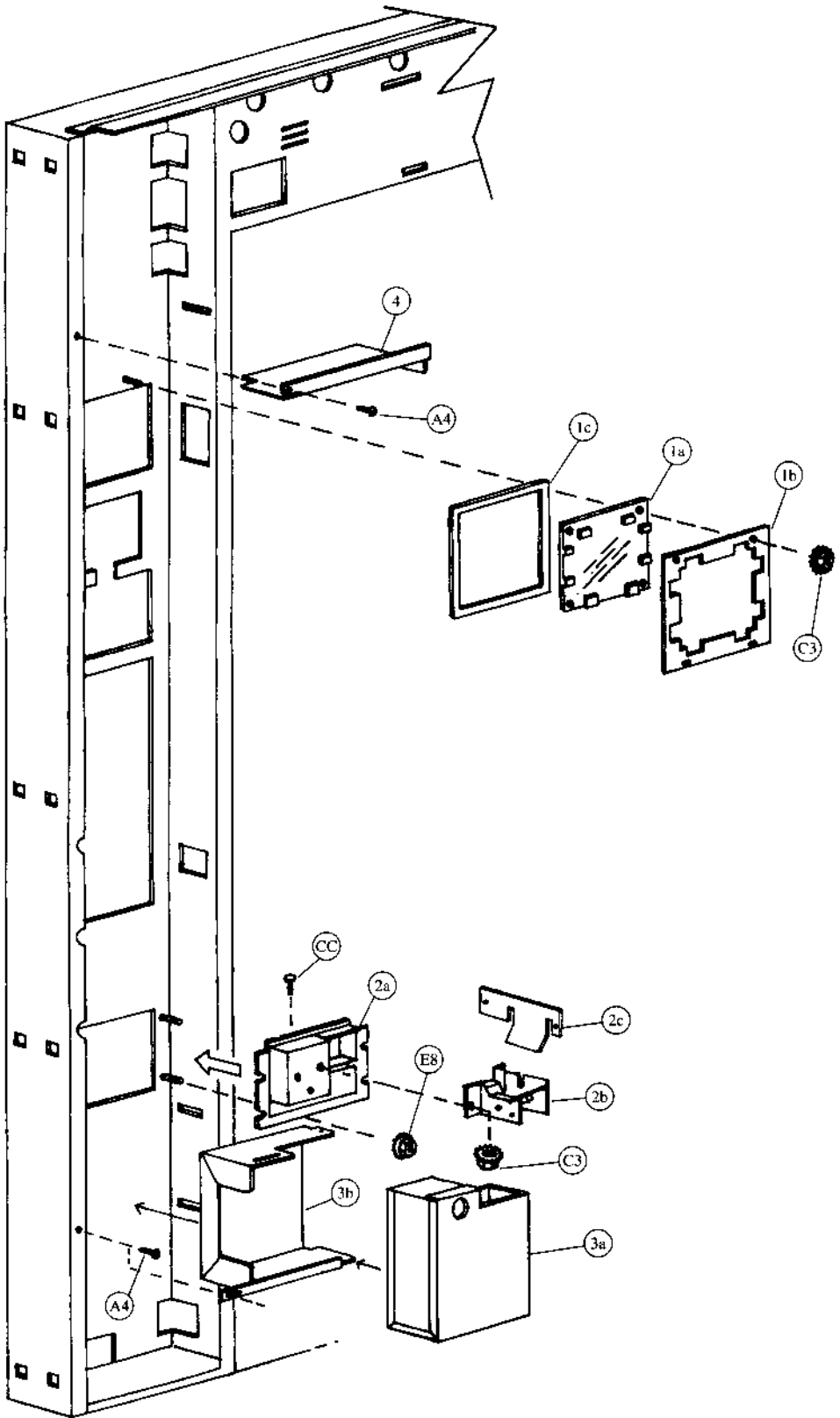
Coke (Landscape) DNCB 180CC

Dimensions	56 1/16" H x 28 5/16" W x 30 1/2" D (1440mm H x 719mm W x 775mm D)
Dimensions Less Door	56 1/16" H x 28 5/16" W x 27 1/2" D (1440mm H x 719mm W x 698mm D)
Approximate Weight	464 lbs. (211kg)
Selections/Columns	5/5
Total 12 oz. (330ml) Cans Capacity/Vend	190/180
Column Capacity 12 oz. (330ml) Cans	5 Double Columns - 38 Each

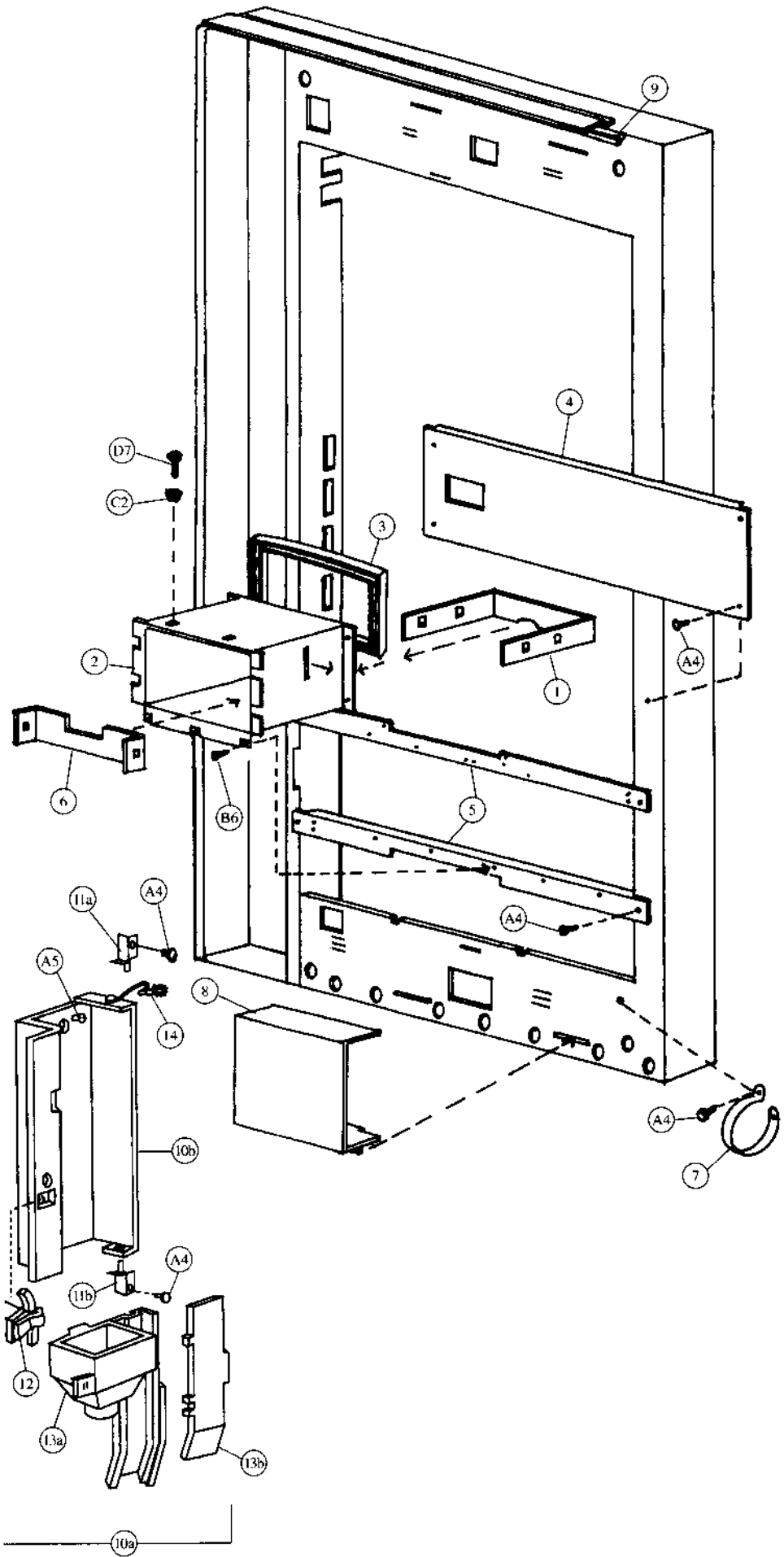
Main Door - Exterior - Coke (Landscape)



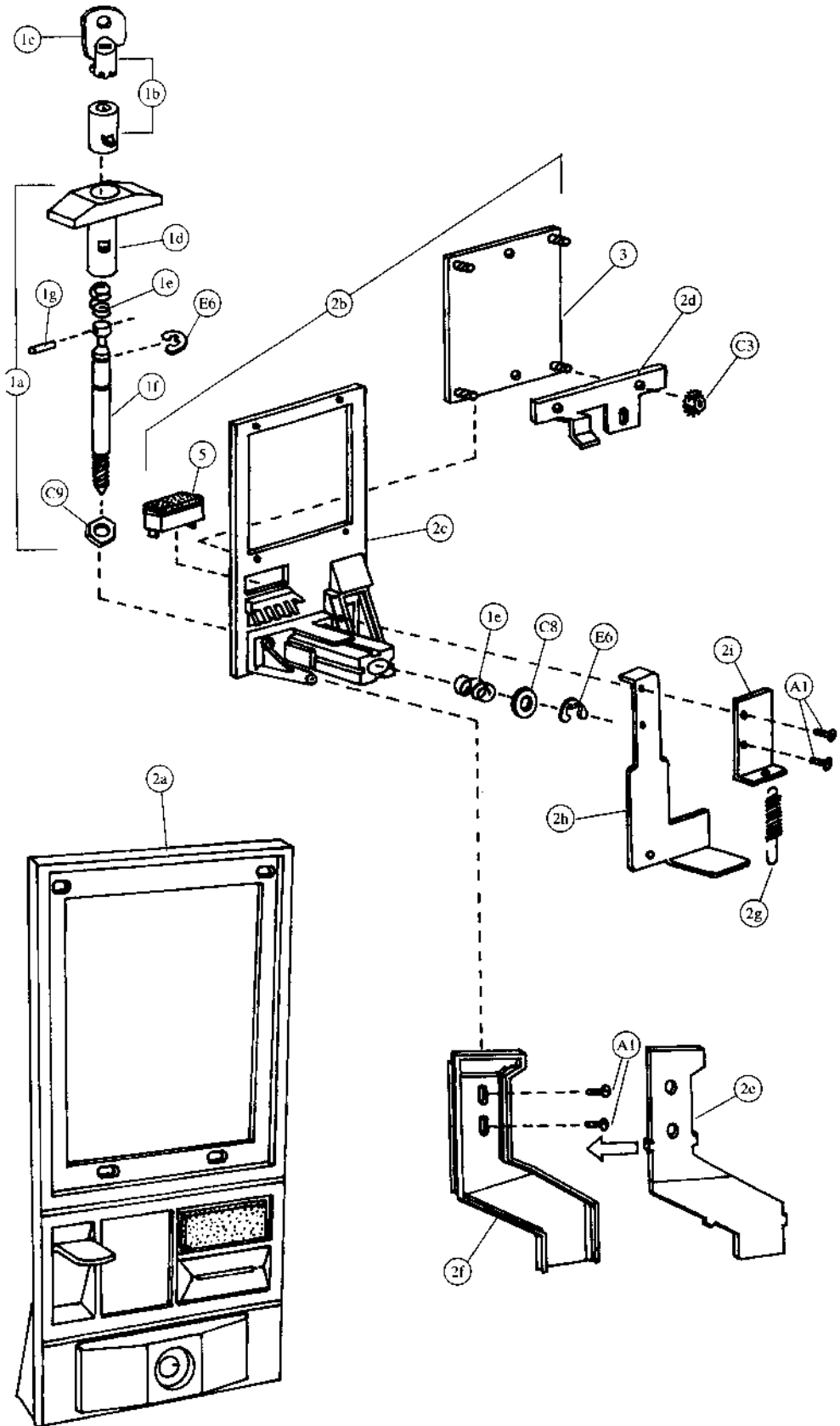
Main Door - Interior (A) - Coke (Landscape)



Main Door - Interior (B) - Coke (Landscape)



Pull-Out Handle & Coin Insert - Coke (Landscape)

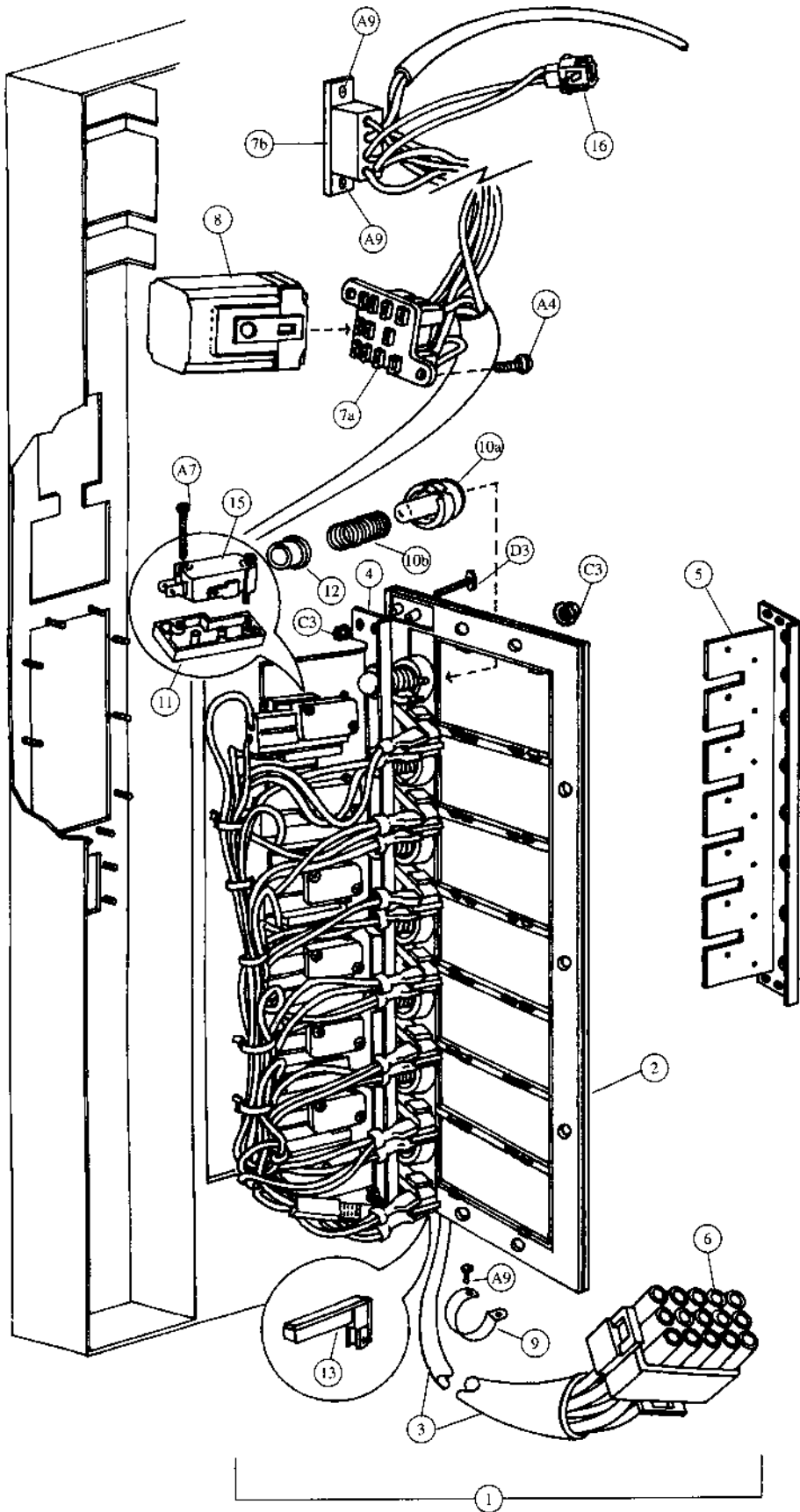


Pull-Out Handle & Coin Insert - Coke (Landscape)

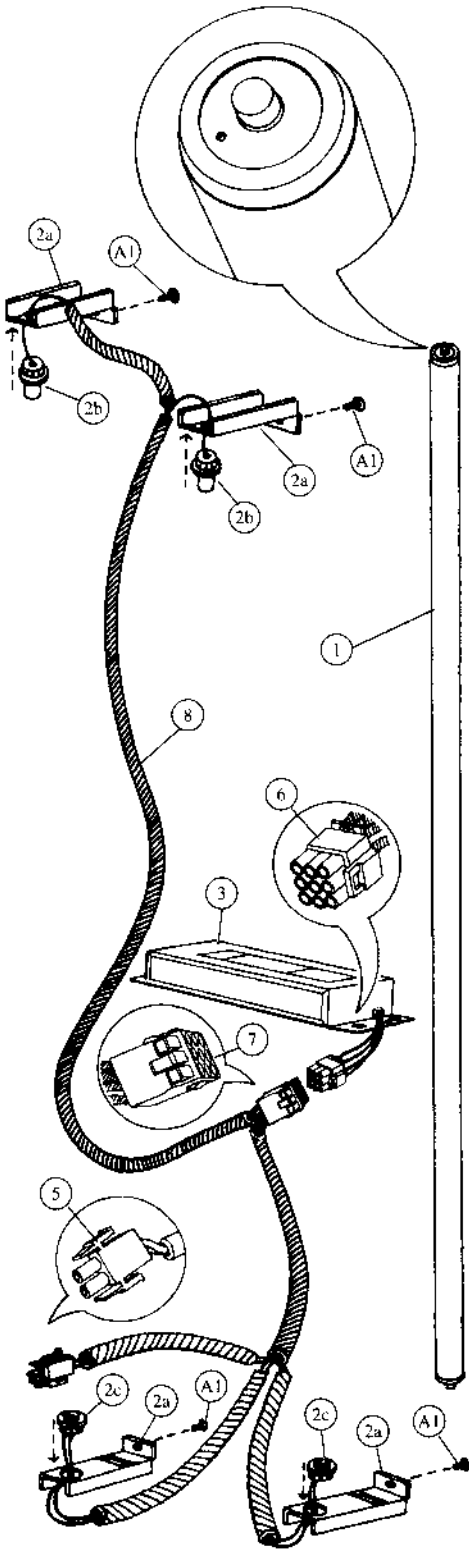
Item	Part Number	Part Name And Description
1a	801,503,040.01	T Handle Assembly
1b	Specify key number	Lock with Two Keys
1c	Specify key number	Key Only
1d	801,505,730.01	Handle Only
1e	901,503,050.01	Spring
1f	4255-6-44W	Stud
1g	901,503,090.11	Cross Pin
2a	See list below	Complete Coin Insert Kit with T Handle
	491,010,800.04	Domestic (USA and Canada)
	Not applicable	Export (All others except listed below)
	Not applicable	Mexico
	Not applicable	Argentina - Token
2b	See list below	Complete Coin Insert Kit without T Handle
	491,050,500.03	Domestic (USA and Canada)
	491,150,500.03	Export (All others except listed below)
	480,350,500.03	Mexico
	480,550,500.03	Argentina - Token
2c	See list below	Coin Insert Only
	801,201,160.41	Domestic (USA and Canada)
	801,201,170.21	Export (All others except listed below)
	801,201,280.11	Mexico
	801,201,270.21	Argentina - Token
2d	453,050,130.83	Coin Insert Retainer
2e	801,805,800.31	Coin Chute Cover
2f	801,805,790.61	Coin Chute
2g	901,700,630.11	Spring Extension
2h	453,050,800.03	Coin Return Plunger Assembly
2i	432,050,570.33	Plunger Bracket
3	432,050,210.23	Validator Plate
4	See list below	Instruction Label (not shown)
	803,822,940.01	English
	903,832,680.01	Irish
	803,825,760.01	Spanish
	803,825,410.01	French
	803,825,750.01	Italian
	803,825,740.01	German
5	See list below	Correct Change Lamp
	904,700,180.31	English "Use Correct Change"
	804,700,500.01	English, IEC Standard "Use Correct Change"
	804,700,440.01	Spanish "Importe Exacto"
	804,700,450.01	French "Faites L'Appoint"
	804,700,400.21	Italian "Usare Monete Contate"
	804,700,470.21	Turkish "Lutfen Para Atiniz"
	804,700,480.21	German "Abgezahltes Geld Verwendeb"
	904,700,490.11	Portuguese "Introduza Quantia Exacta"
6	801,806,080.11	Drip Chute (not shown)

E6	901,503,070.01	E Ring (2)
C8	901,503,060.01	Flat Washer
C9	901,503,080.01	Hex Washer
A1	900,301,700.01	Sems Screw #6-32 x 3/8 (4)
C3	900,800,500.01	Keys Nut #8-32 (4)

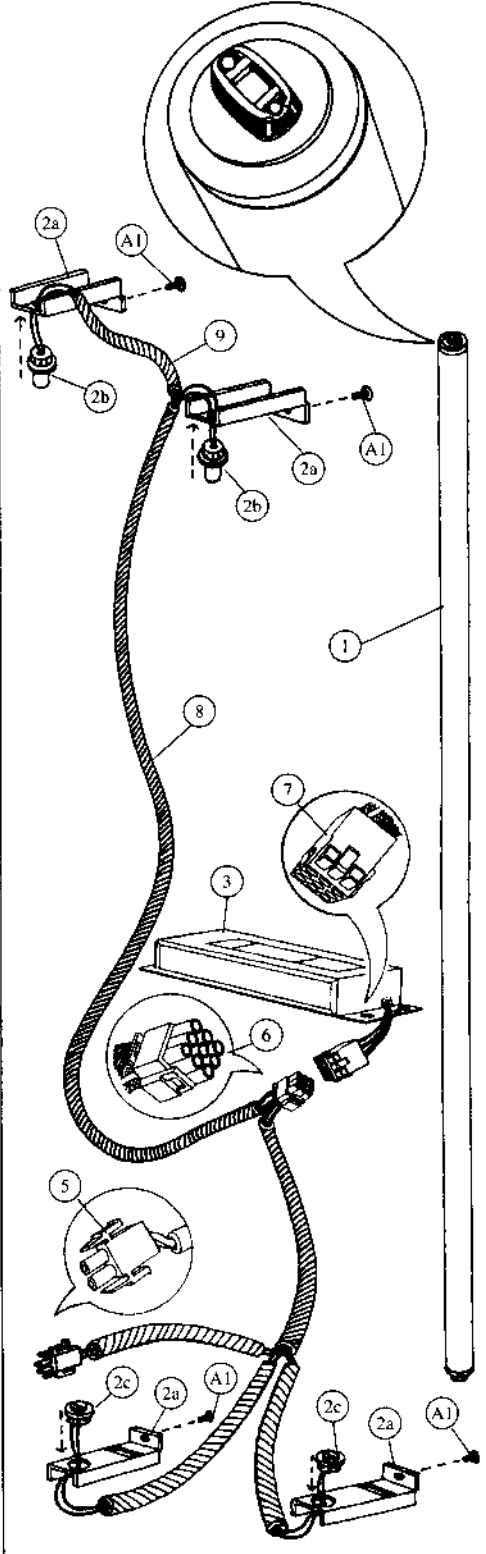
Select Panel - Coke (Landscape)



Lighting - Coke (Landscape)



Slimline



High-Output

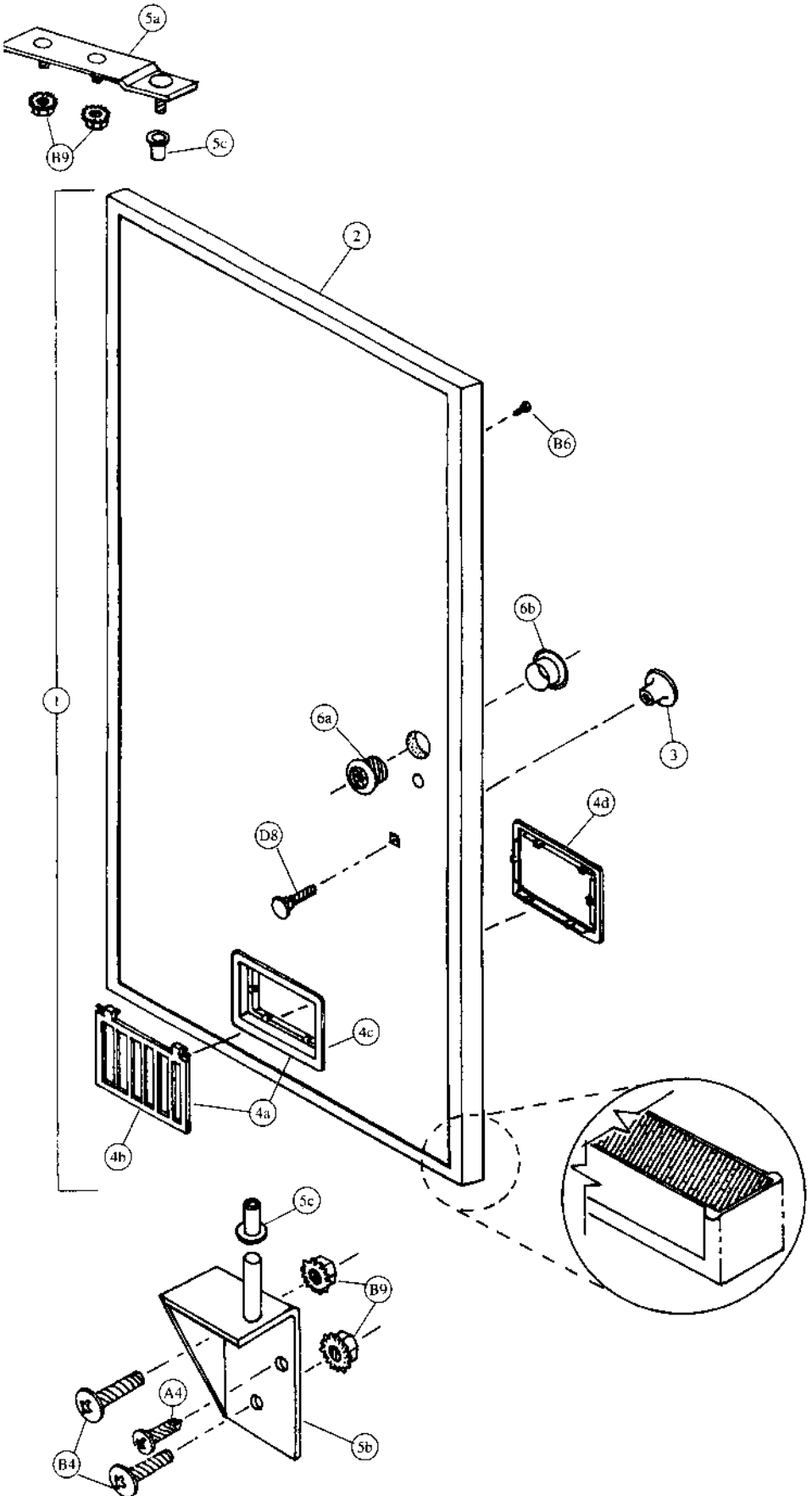
Lighting - Coke (Landscape)

Item	Part Number	Part Name And Description
High-Output Lighting		
1	804,700,390.01	Fluorescent Bulb - F48T/HO
2a	432,050,380.63	Door Bracket Lamp Socket
2b	804,901,990.01	Top Lamp Holders - 523
2c	804,902,000.01	Bottom Lamp Holders - 524
3	804,400,380.01	Plug-In Ballast, Advance #VSM/HO
4	904,800,520.01	Connector, Electrical (not shown) (scotchlock 557)
5	904,600,710.01	2-Way Plug
6	904,600,670.01	9-Way Plug
7	904,600,660.01	9-Way Cap
8	804,904,510.21	Plug-In Ballast Harness, High Output
9	804,904,920.11	Lamp Fixture Jumper, High Output

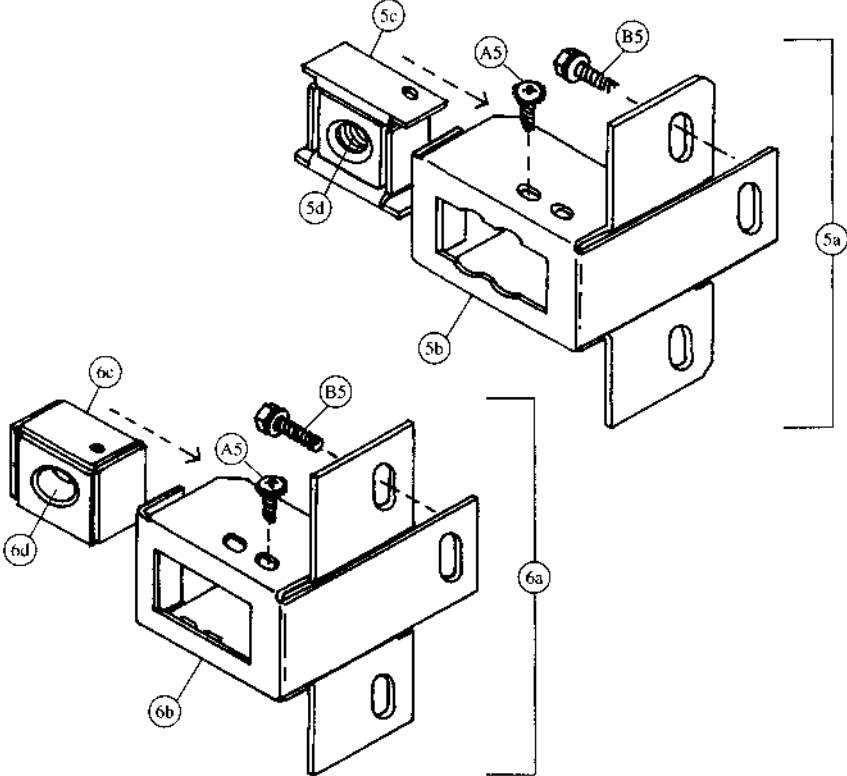
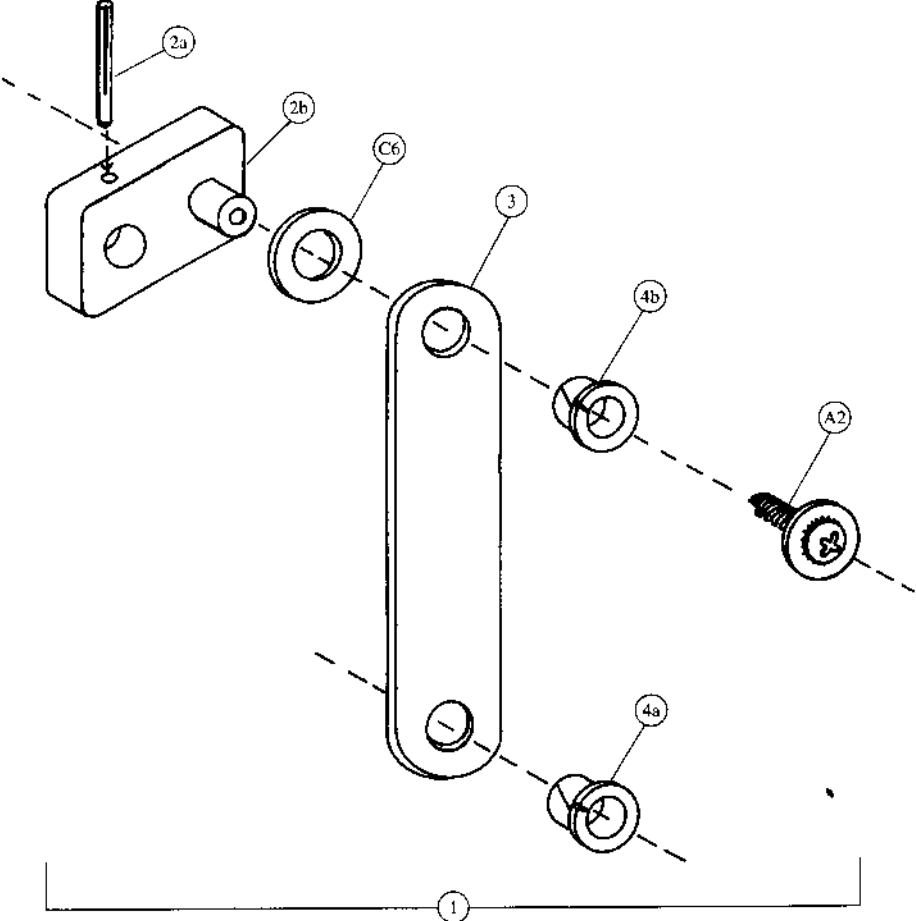
Slimline Lighting		
1	804,700,330.01	Fluorescent Bulb - F48 Slimline
2a	432,050,380.63	Door Bracket Lamp Socket
2b	804,902,020.01	Top Lamp Holders - 516
2c	804,902,030.01	Bottom Lamp Holders - 517
3	804,400,390.01	Plug-In Ballast, Slimline
4	904,800,520.01	Connector, Electrical (not shown) (scotchlock 557)
5	904,600,710.01	2-Way Plug
6	904,600,670.01	9-Way Plug
7	904,600,660.01	9-Way Cap
8	804,904,600.61	Plug-In Ballast Harness, Slimline

A1	900,301,700.01	Sheet Metal Screw #6 - 32 x 3/8 (4)
----	----------------	-------------------------------------

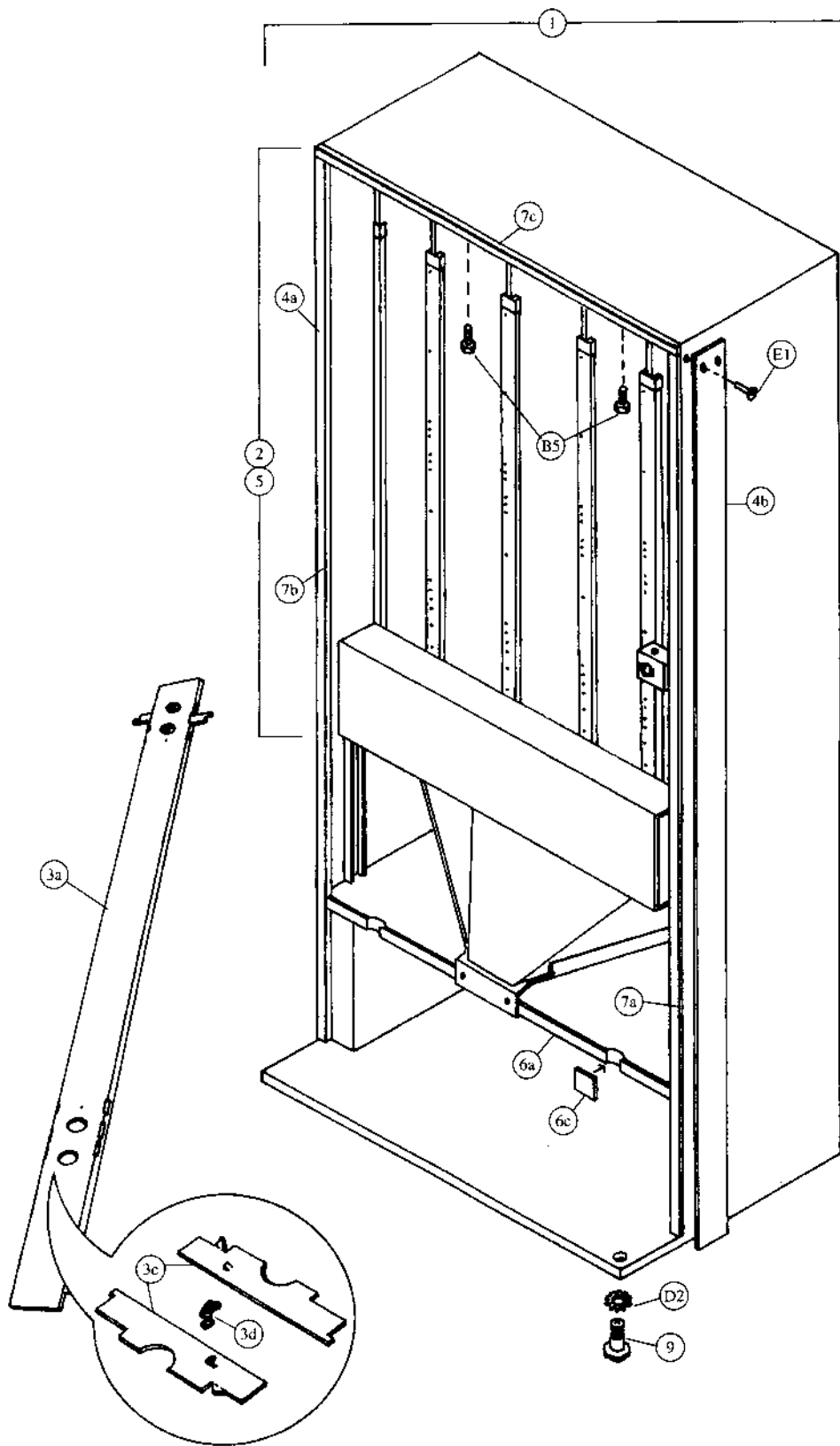
Inner Door - Coke (Landscape)



Two-Bar Linkage & Nut Retainer Housing - Coke (Landscape)



Cabinet Interior - Coke (Landscape)

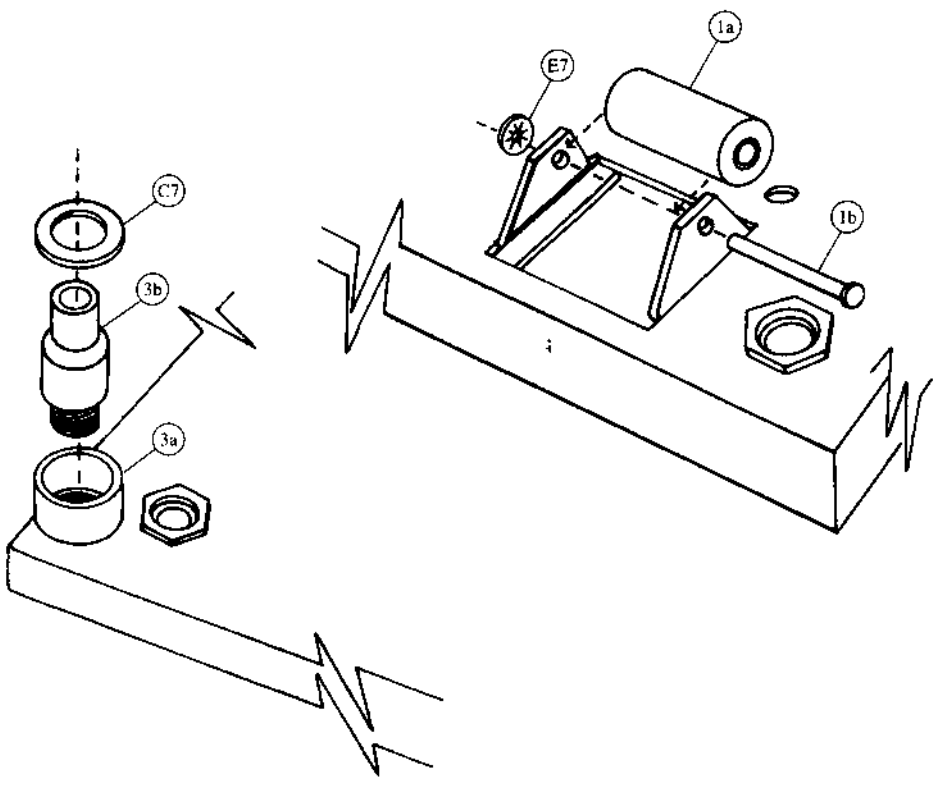
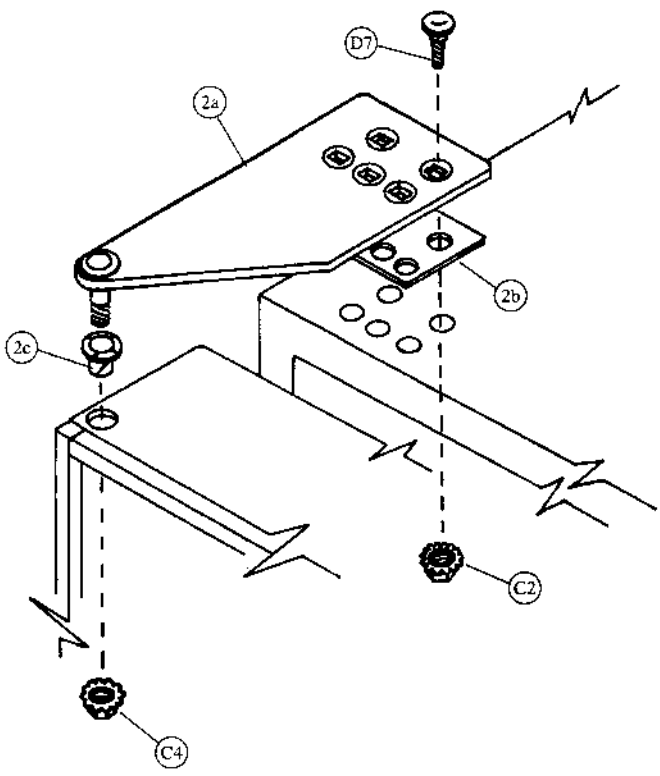


Cabinet Interior - Coke (Landscape)

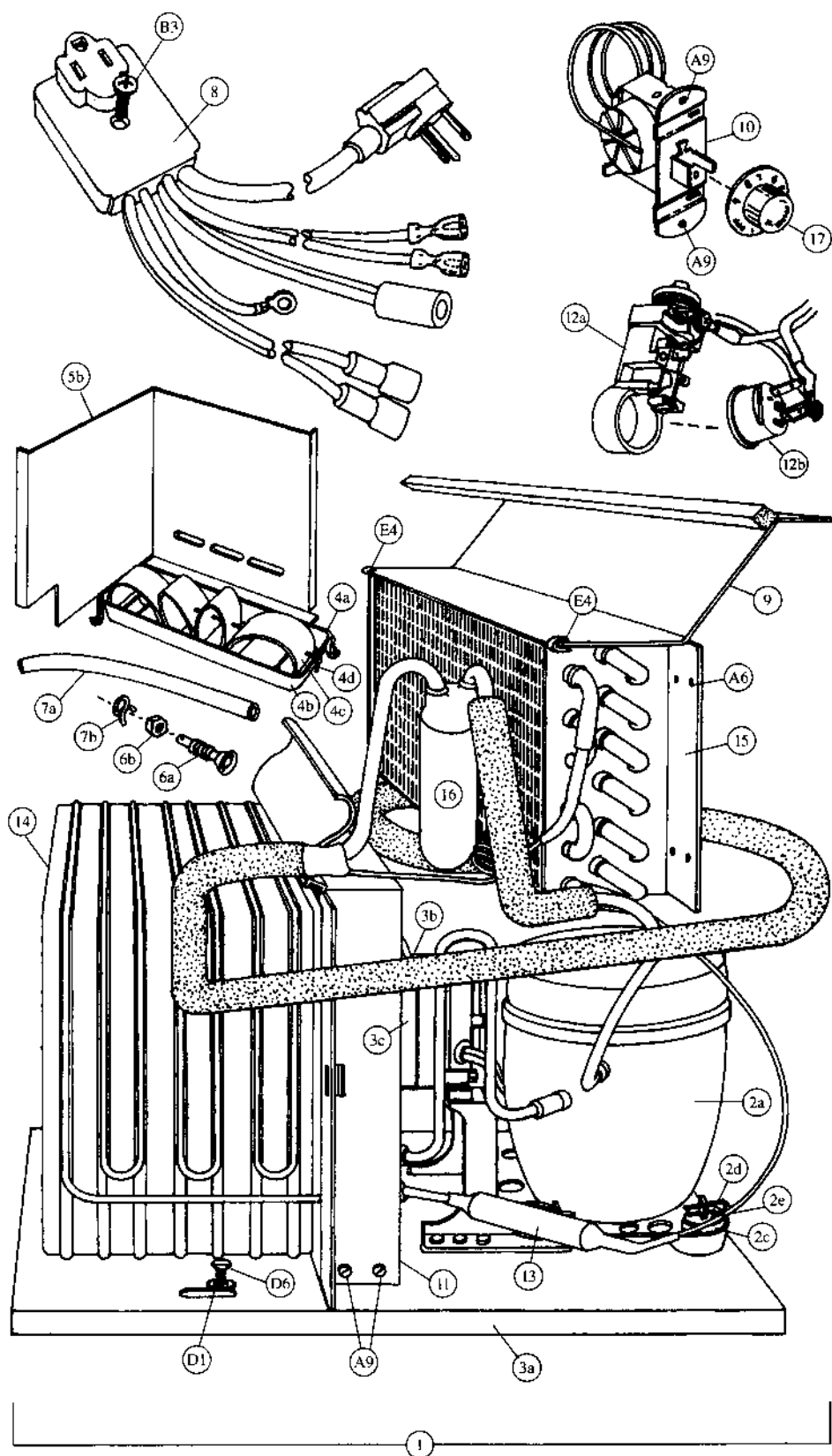
Item	Part Number	Part Name And Description
1	495,000,700.03	Foam Cabinet Assembly
2	See list below	Stack Assembly (specify harness)
	495,070,000.03	Single Price & Single Price - IEC Standard
	495,170,000.03	Two/Four Price & Two/Four Price - IEC Standard
3a	504,070,300.03	Rear Spacer, Wide Column
3c	267,070,080.53	Latch Finger, Long
3d	901,700,690.01	Rear Spacer Spring
4a	168,000,031.53	Protective Plate, LS Cabinet (not shown)
4b	168,000,041.63	Protective Plate, RS Cabinet
5	495,070,100.03	Sub Assembly Stack
6a	801,806,280.41	Mullion
6b	801,303,830.21	Mullion Cover, Metal (not shown)
6c	801,806,220.11	Mullion Cover, Plastic (obsolete)
7a	495,020,030.03	Breaker Strip, Right
7b	495,020,040.03	Breaker Strip, Left
7c	493,020,060.03	Breaker Strip, Top
8a	480,000,100.13	Ballast Plate Assembly (not shown)
	495,020,500.13	Ballast Plate Assembly - IEC Standard (not shown)
8b	432,020,070.23	Ballast Plate (not shown)
	492,050,140.03	Ballast Plate - IEC Standard (not shown)
9	900,502,490.71	Leveling Leg, 5/8" (4)
10	491,070,020.13	Mounting Bracket, Rear (not shown)
11	437,010,030.13	Rodent Guard, Narrow (not shown)
	476,010,400.13	Rodent Guard, Narrow - IEC Standard (not shown)
12	804,400,360.01	Transformer, Basler Isolation (not shown)
13	804,902,170.11	Transformer Jumper (not shown)
14	not applicable	Transformer Jumper - IEC Standard (not shown)
15a	901,902,280.01	Heyco Wire Clip #3699 (not shown)
15b	900,901,590.01	Cable Clamp, Green (not shown)

E1a	901,100,430.01	Pop Rivet, 1/4" (15)
B5	900,301,730.21	Self-Tapping Screw 1/4 - 20 x 1 (4)
E1b	901,100,440.01	Drive Rivet, 1/4" (8)
D2	900,700,890.01	Lock Washer, 5/8"
E2	901,100,520.01	Pop Rivet, 1/8" (not shown)

Hinges and Rollers - Coke (Landscape)



Refrigeration - Coke (Landscape)



Refrigeration System - Coke (Landscape)

Item	Part Number	Part Name And Description
1	Provide information listed	Complete Refrigeration System: Indicate unit model number from serial plate on unit base plate, refrigerant, voltage/hertz and country.
2a	Provide information listed	Compressor ¼ HP: Indicate compressor manufacturer, voltage/hertz, refrigerant and complete manufacturer's model number.
2b	See list below	Compressor Lead Harness (not shown)
	904,900,611.01	All, except IEC Standard
	804,904,700.01	220-240v/50hz, IEC Standard
2c	902,000,570.01	Compressor Mounting Grommet
2d	900,901,880.01	Compressor Mounting Retainer Clip
2e	901,803,910.01	Compressor Grommet Plug, Plastic
3a	491,040,040.43	Condenser Base Plate
3b	See list below	Condenser Fan Motor Assembly
	491,040,200.03	115v
	491,140,300.03	220-240v
3c	See list below	Condenser Fan Motor
	804,500,670.01	115v
	804,500,700.01	220-240v
3d	800,103,370.02	Fan Blade (not shown)
4a	491,000,100.03	Drain Pan Assembly
4b	801,303,670.11	Drain Pan
4c	901,900,020.21	Soaker (8 required)
4d	901,400,060.11	Soaker Rod
5a	491,040,030.33	Condenser Baffle, Right Side (not shown)
5b	493,040,040.03	Condenser Baffle, Rear
6a	801,806,050.11	Drain Tube
6b	900,301,790.01	Drain Tube Nut
7a	901,900,500.01	Drain Hose
7b	900,901,030.01	Drain Hose Clamp
8	See listing below	Main Wiring Harness
	804,902,220.01 (a)	United States
	804,905,480.01 (b)	Australia, IEC 335
	804,905,490.01 (c)	United Kingdom, IEC 335
	804,902,160.21 (d)	Europe
	804,903,160.01 (e)	Mexico (not shown)
	804,905,450.01 (f)	Italy
	804,905,470.01 (g)	Danish, IEC 335
	804,905,360.01 (h)	Germany, Splashwater Protector
9	143,040,011.13	Top Fan Housing
10	802,800,410.01	Temperature Control
11	491,040,110.43	Fan Shroud Condenser
12a	Provide information listed	Relay: Indicate compressor manufacturer, model # and voltage/hz
12b	Provide information listed	Overload: Indicate compressor manufacturer, model # and voltage/hz
13	802,401,260.01	Dryer
14	802,600,560.01	Condenser
15	802,600,370.51	Evaporator
16	802,400,460.01	Accumulator
17	802,800,420.01	Knob, Temperature Control
A6	900,600,230.02	Sheet Metal Screw, Type "A" (not shown) (2)
A9	900,301,560.01	Sems Screw #8 - 32 x ¾ (8)
B3	900,301,810.01	Screw, #10 - 32 x 1½
D1	900,700,360.01	Lockwasher, ¾" (2)
F4	900,901,890.01	Tinnerman Clip (2)
D6	900,400,440.01	Refrigeration Bolt ¾ - 16 x 1 (2)

When Ordering Parts, Indicate Model # And Serial # Of Vender.
All Parts Numbers And Prices Are Subject To Change Without Notice.

Signs and Decals - Coke (Landscape)



①



④

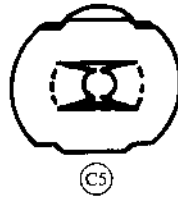
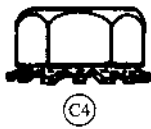
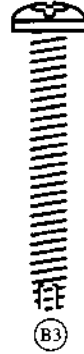
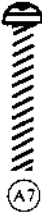


②



⑤

Screws & Nuts - Coke (Landscape)



Washers, Bolts & Misc. - Coke (Landscape)

