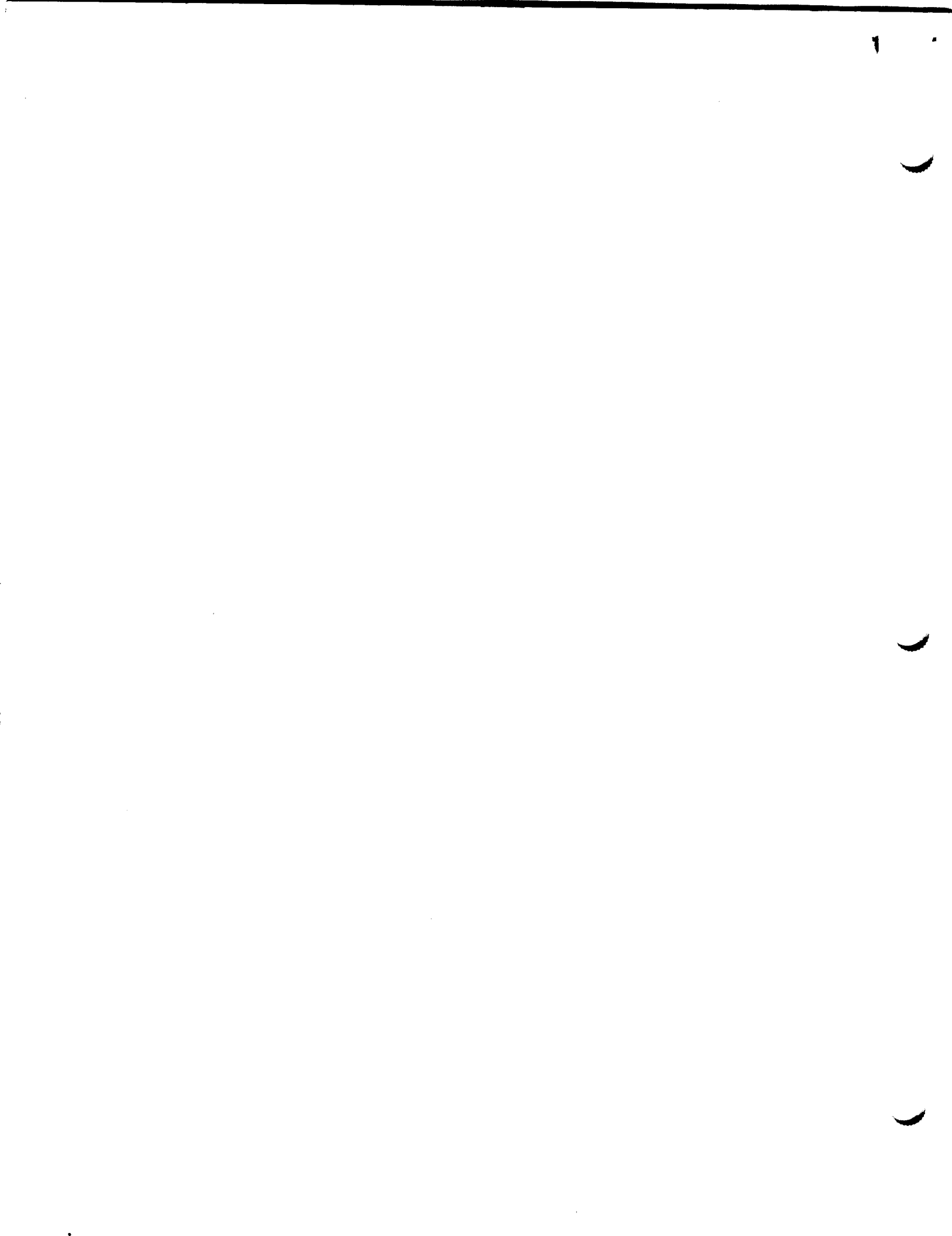


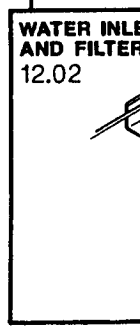
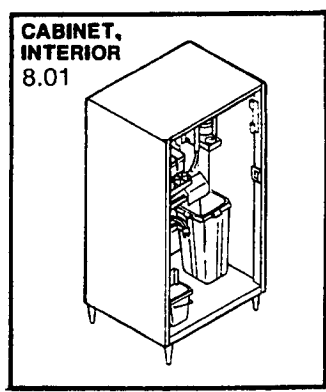
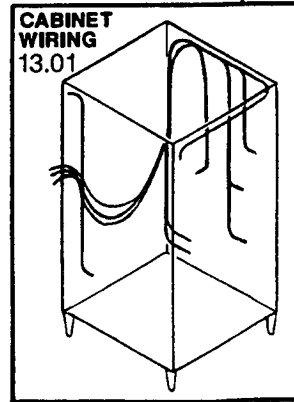
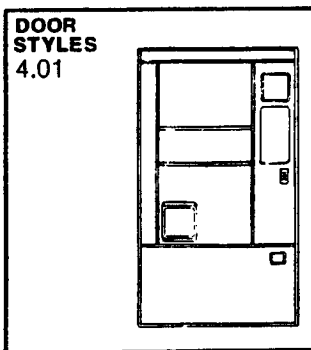
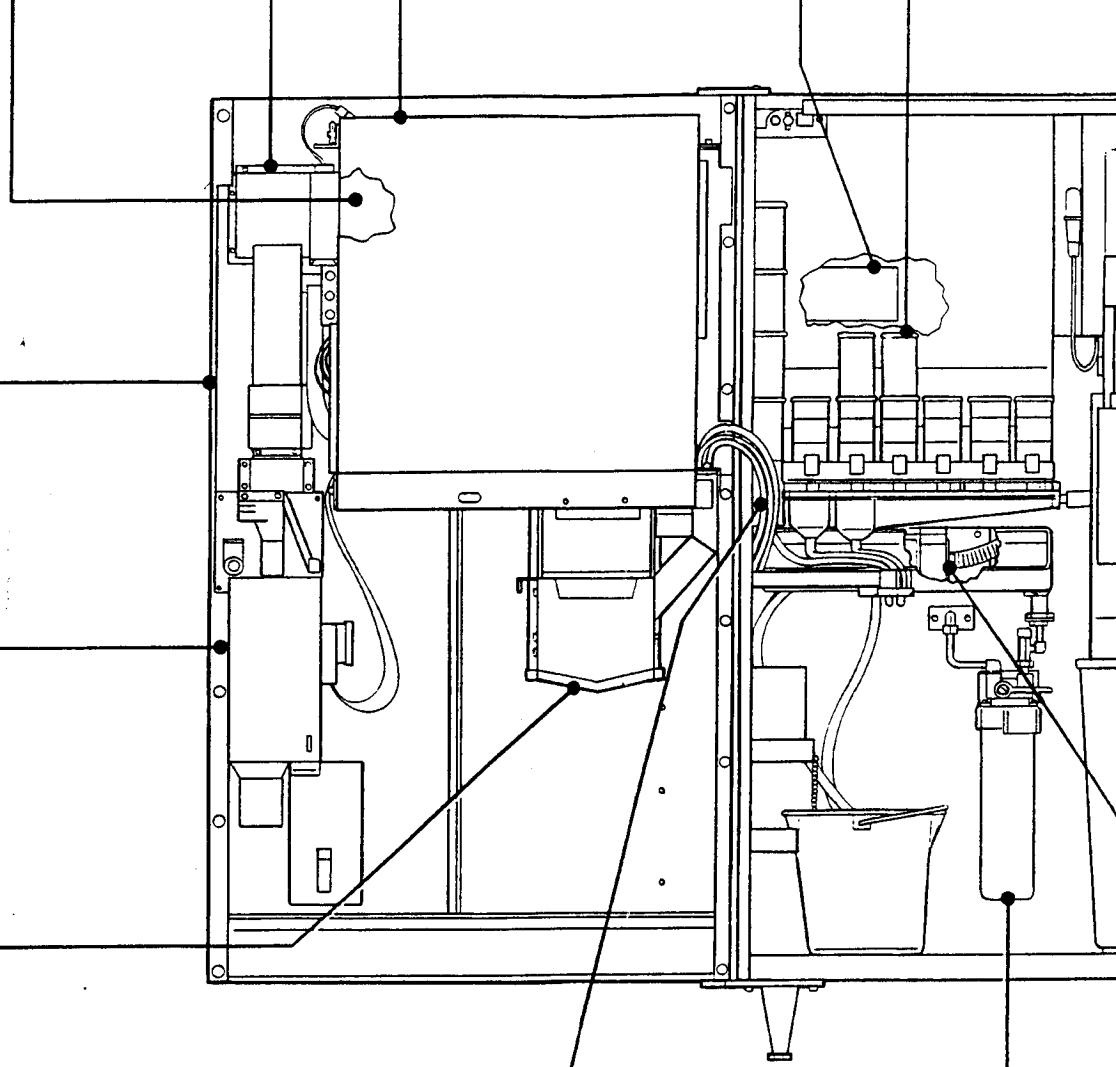
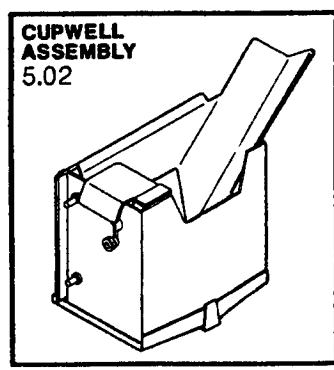
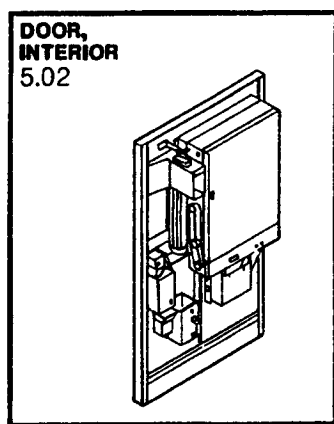
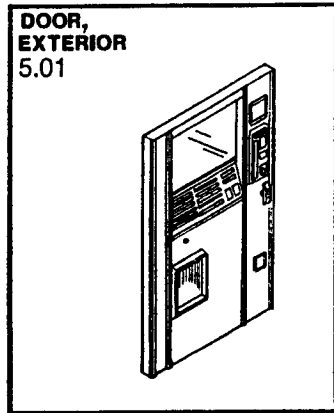
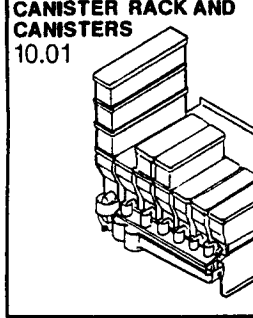
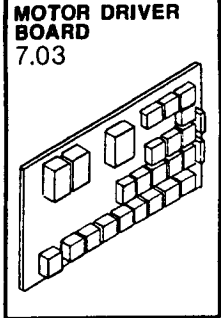
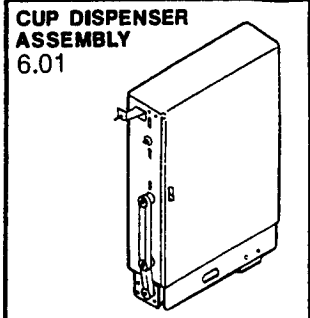
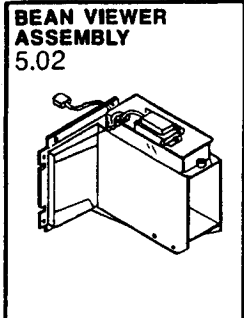
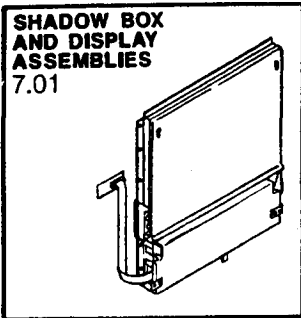


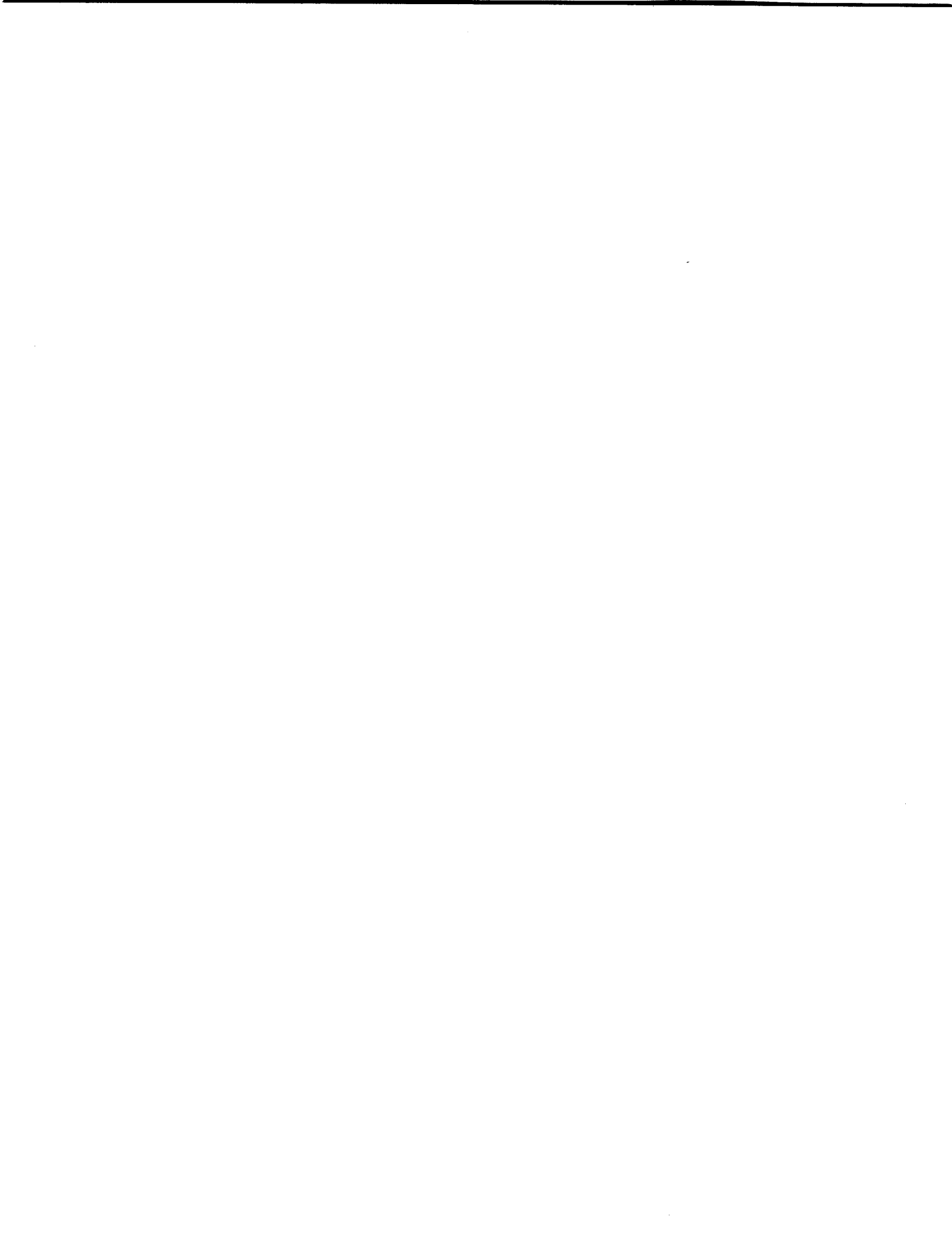
AP 203 PARTS MANUAL

HOT DRINK MERCHANDISER

300 JACKSONVILLE ROAD WARMINSTER, PA 18974







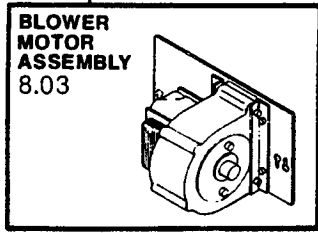
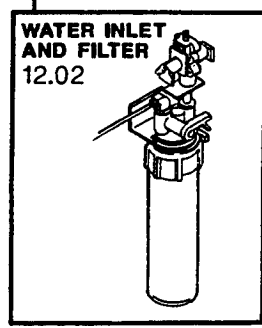
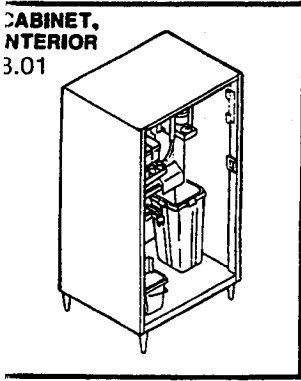
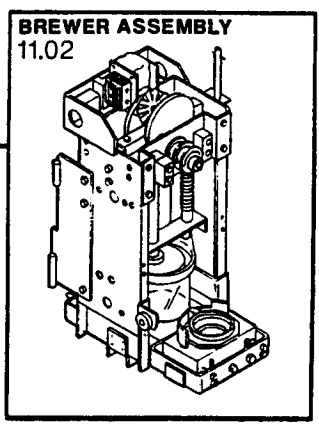
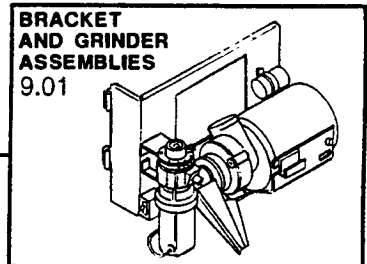
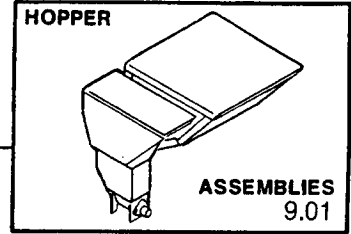
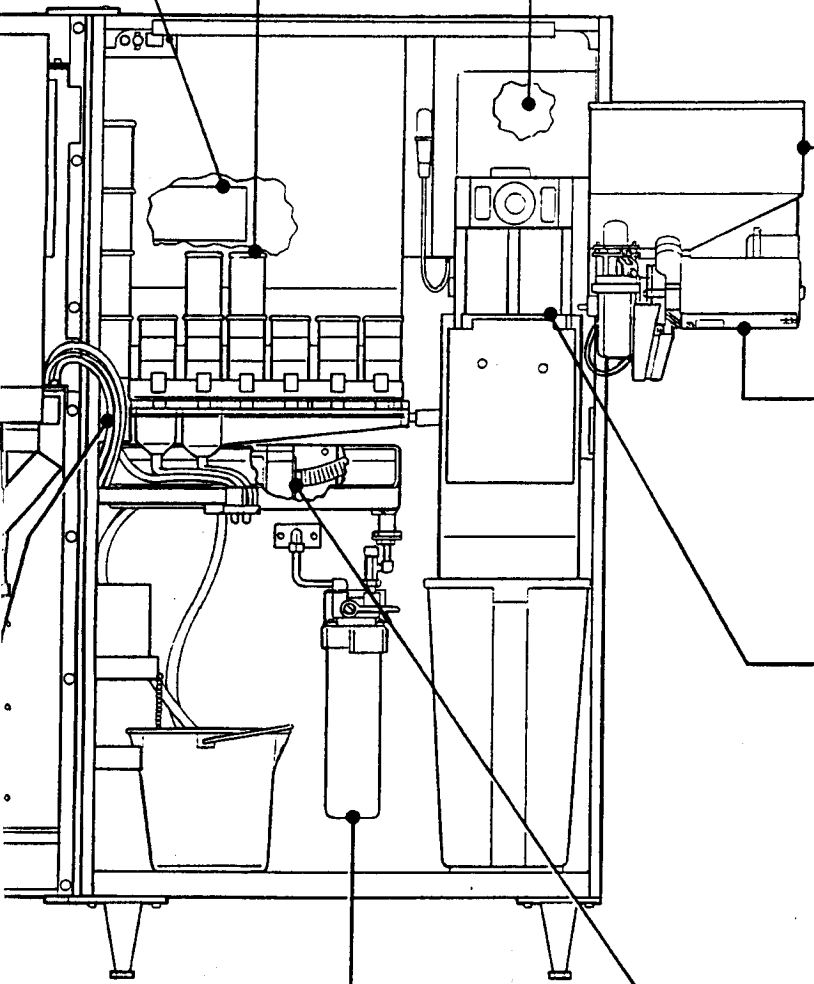
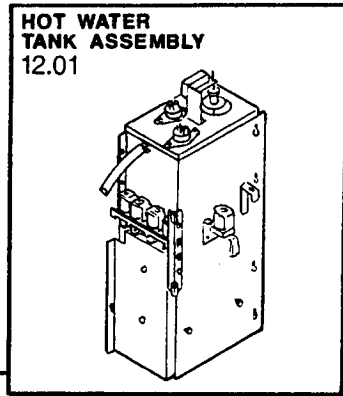
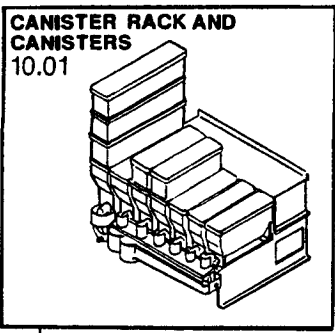
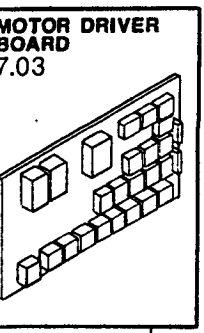




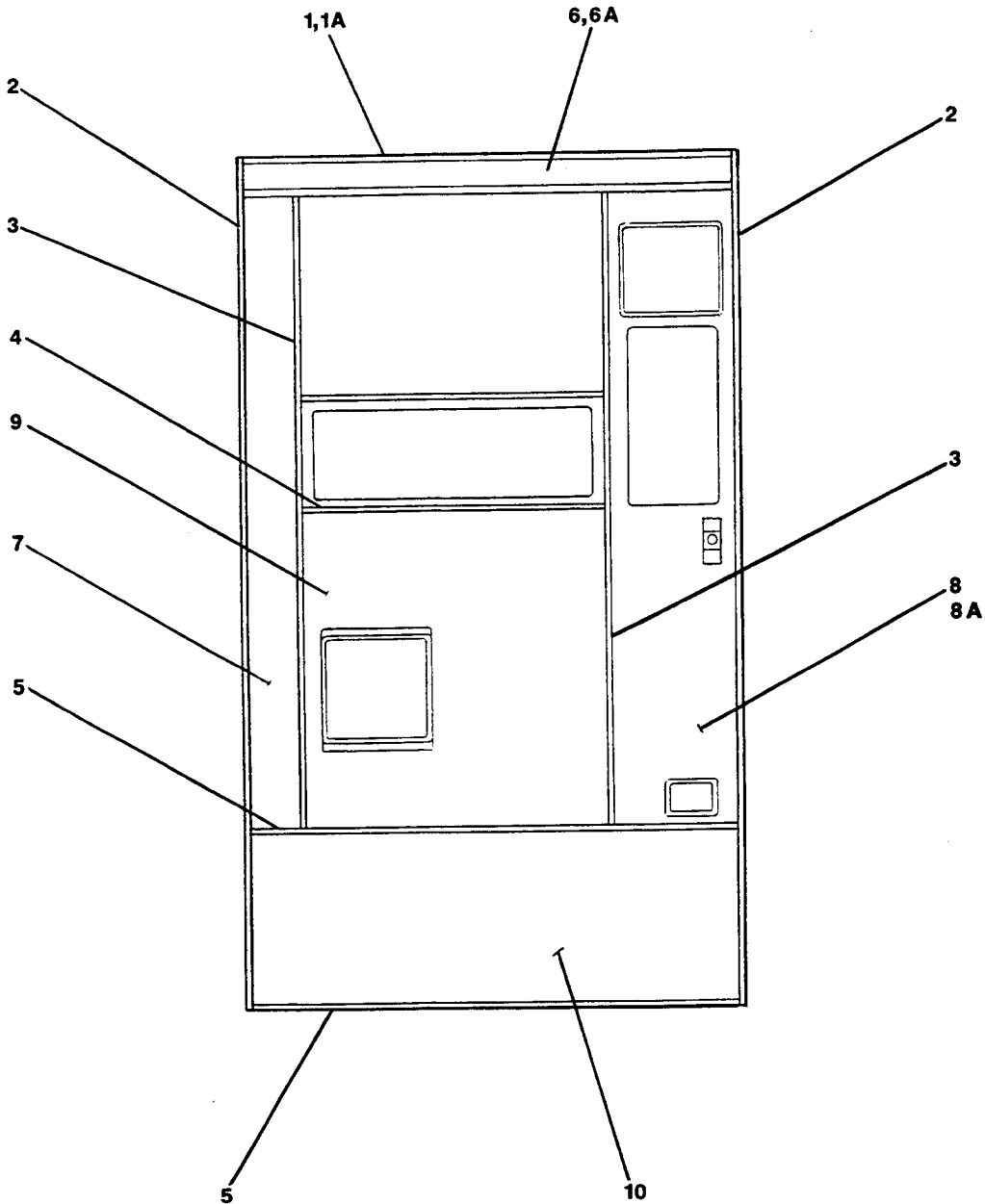
TABLE OF CONTENTS PARTS SECTION

PICTORIAL INDEX AND LOCATION OF MAJOR ITEMS IN CABINET	4.00
DOOR STYLING- APII AND AR	4.01
DOOR STYLING- AWARD II	4.02
DOOR STYLING- COVERPLATE 3	4.03
DOOR STYLING- GENESIS	4.04
DOOR STYLING- GOLDEN II	4.05
DOOR STYLING- HI-TECH	4.06
DOOR STYLING- STARLITE	4.07
DOOR STYLING- STERLING	4.08
DOOR STYLING- TRON II	4.09
DOOR STYLING- VANTAGE	4.10
DOOR STYLING- VIP	4.11
DOOR STYLING- WHEATSTONE	4.12
DOOR-EXTERIOR	5.01
DOOR-INTERIOR	5.02
CUP DISPENSER ASSEMBLY (ORIGINAL VERSION)	6.01
CUP DISPENSER ASSEMBLY (WITH REVISED SPIRAL MOTOR PLATE AND WRAPPER)	6.02
CUP SENSOR OPTION	6.03
SHADOW BOX ASSEMBLY AND ELECTRONIC BOARDS	7.01
LOGIC BOARD	7.02
MOTOR DRIVER BOARD	7.03
CABINET AND MISCELLANEOUS ITEMS INSIDE	8.01
MISCELLANEOUS ITEMS INSIDE CABINET	8.02
MOTOR ASM, EXHAUST BLOWER	8.03
BRACKET ASM, COFFEE SWING-OUT, G (WITH GRINDER)	9.01
CANISTER ASM, COFFEE BEANS (STAINLESS STEEL) G & DG	9.02
CANISTER ASM, COFFEE BEANS (MOLDED) G & DG	9.03
BRACKET ASM, COFFEE SWING-OUT, DG (WITH GRINDERS)	9.04
COFFEE GRINDER, MINI, DG	9.05
BRACKET ASM, COFFEE SWING-OUT, GLG	9.06
CANISTER ASM, COFFEE BEANS AND DECAF, GLG	9.07
BRACKET ASM, COFFEE SWING-OUT, LG	9.08
CANISTER ASM, COFFEE, LG	9.09
BRACKET ASM, COFFEE SWING-OUT, DH	9.10
CANISTER ASM, REGULAR AND DECAF COFFEES, DH	9.11
CANISTER RACK ASSEMBLY AND RINSE TRAY	10.01
LOCATION OF COMMODITY CANISTERS ON RACK & GFIC PARTS	10.02
CANISTER ASMS: CHOCOLATE, SOUP, FD SANKA, FD COFFEE	10.03
CANISTER ASM: SUGAR	10.04
CANISTER ASMS: LIGHT AND TEA	10.05
BREWER ASSEMBLY	11.01
BREWER BASE ASSEMBLY	11.02
BREWER BACK PANEL, FRONT CHANNEL & MAIN FRAME ASSEMBLIES	11.03
BREWER CYLINDER AND PISTON ASSEMBLIES	11.04
BREWER MOTOR	11.05
TANK ASSEMBLY, HOT WATER	12.01
WATER INLET AND FILTER ASSEMBLIES	12.02
ELECTRICAL ITEMS & HARNESS LOCATIONS INSIDE BACK OF CABINET	13.01
SCHEMATIC DIAGRAM	14.01

APII STYLE AND AR STYLE

- | | |
|--|---|
| <ul style="list-style-type: none"> 1. TRIM, TOP HEADER, BLACK (36 3/8" LONG) (APII STYLE) . . . 29970 1A. TRIM, TOP HEADER, SILVER (36 3/8" LONG) (AR STYLE) . . . 29971 2. TRIM, VERTICAL, DOOR EDGE (65 11/16" LONG) 29938 3. TRIM, VERTICAL (44 3/8" LONG) 30400 4. TRIM, SELECTOR PANEL (23 1/4" LONG) 33634 5. TRIM, HORIZONTAL (36 3/8" LONG) 30681 6. INSERT, TOP HEADER, "HOT DRINKS" (APII STYLE) 30008 6A. PANEL WITH VINYL, TOP HEADER (AR STYLE)-SELECT COLOR: <ul style="list-style-type: none"> PRESIDENTIAL WALNUT 31301 REGENCY WALNUT 31302 TEAK 31304 7. PANEL WITH VINYL, LEFT SIDE-SELECT COLOR: <ul style="list-style-type: none"> PRESIDENTIAL WALNUT 34686-1 REGENCY WALNUT 34686-2 TEAK 34686-3 | <ul style="list-style-type: none"> 8. PANEL WITH VINYL, RIGHT SIDE-SELECT COLOR: (NON-GRINDER UNITS) <ul style="list-style-type: none"> PRESIDENTIAL WALNUT 34682-1 REGENCY WALNUT 34682-2 TEAK 34682-3 8A. PANEL WITH VINYL, RIGHT SIDE-SELECT COLOR: (UNITS WITH GRINDERS) <ul style="list-style-type: none"> PRESIDENTIAL WALNUT 34683-1 REGENCY WALNUT 34683-2 TEAK 34683-3 9. PANEL, CUPWELL (STAINLESS STEEL) 33610 10. PANEL WITH VINYL, BOTTOM-SELECT COLOR: <ul style="list-style-type: none"> PRESIDENTIAL WALNUT 34689-1 REGENCY WALNUT 34689-2 TEAK 34689-3 |
|--|---|

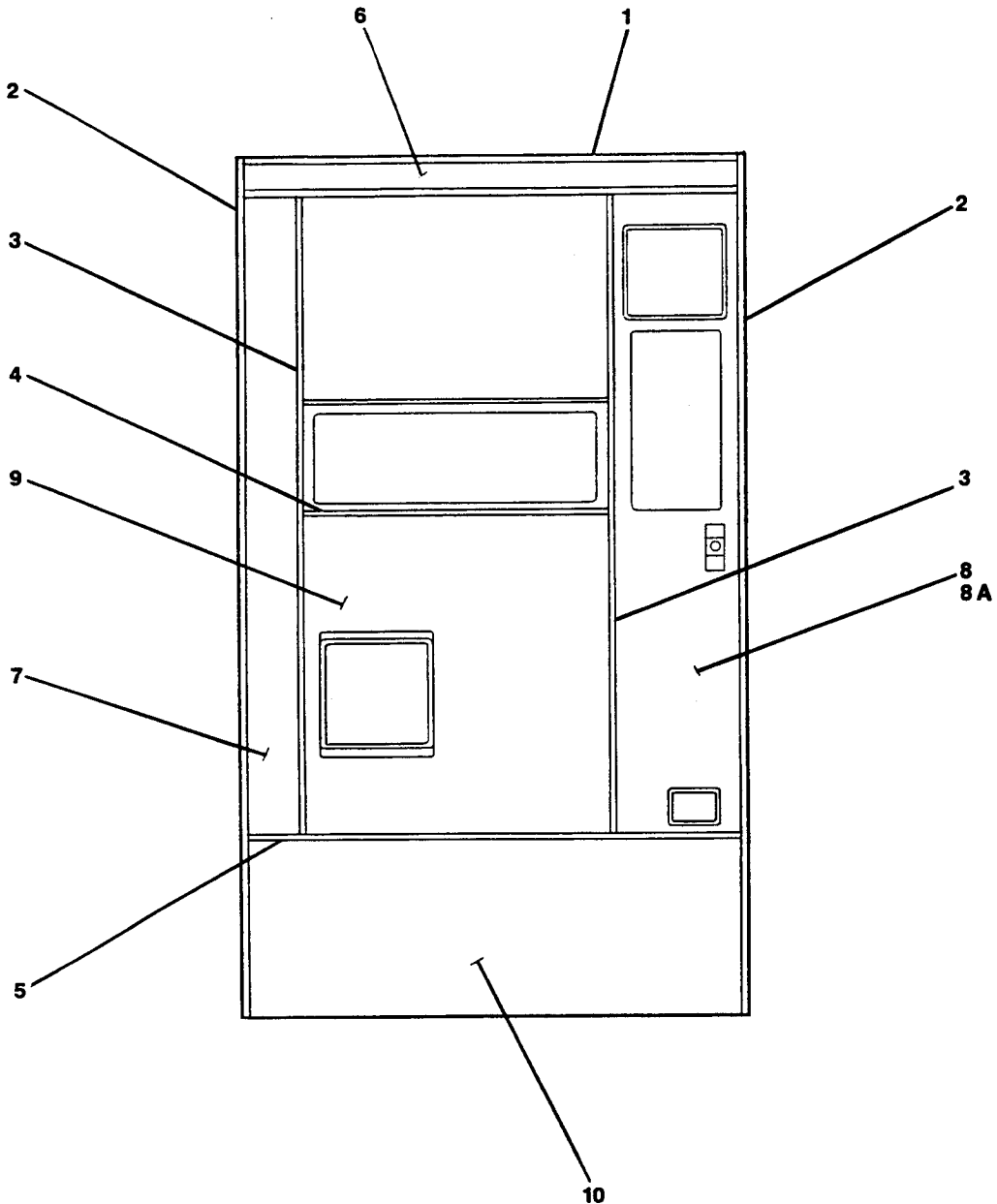
DOOR BEZELS-SEE MANUAL PAGE 5.01



AWARD II STYLE

- | | |
|---|--|
| <ul style="list-style-type: none"> 1. TRIM, TOP HEADER (36 3/8" LONG) 29972 2. TRIM, VERTICAL, DOOR EDGE (65 11/16") 29938 3. TRIM, VERTICAL (49 1/16" LONG) 30398 4. TRIM, SELECTOR PANEL (23 1/4" LONG) 33634 5. TRIM, HORIZONTAL (36 3/8" LONG) 30681 6. PANEL WITH VINYL, TOP HEADER-SELECT COLOR: <ul style="list-style-type: none"> REGENCY WALNUT 31276 ROSEWOOD 31277 TEAK 31275 7. PANEL WITH VINYL, LEFT SIDE-PEARLISCENT GRAY 34690-1 | <ul style="list-style-type: none"> 8. PANEL WITH VINYL, RIGHT SIDE- PEARLISCENT GRAY
(NON-GRINDER UNITS) 34392-1 8A. PANEL WITH VINYL, RIGHT SIDE-PEARLISCENT GRAY
(UNITS WITH GRINDERS) 34391-1 9. PANEL WITH VINYL, CENTER, CUPWELL AREA
PEARLISCENT GRAY 34693-1 10. PANEL WITH VINYL, BOTTOM-SELECT COLOR: <ul style="list-style-type: none"> REGENCY WALNUT 34692-1 ROSEWOOD 34692-3 TEAK 34692-2 |
|---|--|

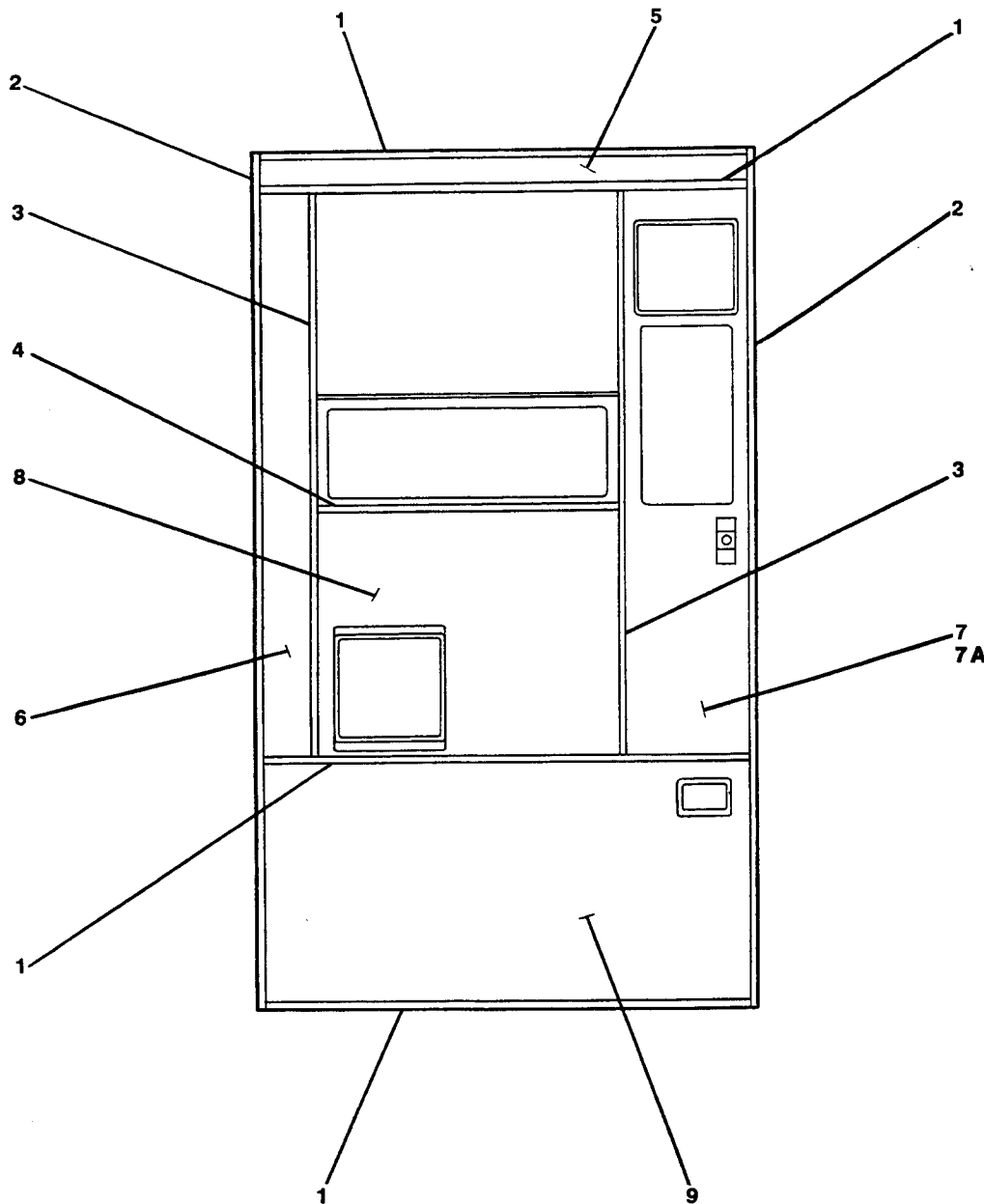
DOOR BEZELS-SEE MANUAL PAGE 5.01



COVERPLATE 3 STYLE

- | | |
|---|--|
| <ul style="list-style-type: none"> 1. TRIM, HORIZONTAL (36 3/8" LONG) 30681 2. TRIM, VERTICAL, DOOR EDGE (65 11/16" LONG) 29938 3. TRIM, VERTICAL (42 15/16" LONG) 30293 4. TRIM, SELECTOR PANEL (23 1/4" LONG) 33634 5. PANEL WITH VINYL, TOP HEADER-SELECT COLOR: <ul style="list-style-type: none"> PRESIDENTIAL WALNUT 31269 REGENCY WALNUT 31271 TEAK 31270 6. PANEL WITH VINYL, LEFT SIDE-SELECT COLOR: <ul style="list-style-type: none"> PORT-AU-PRINCE 34388-4 PRESIDENTIAL WALNUT 34388-1 REGENCY WALNUT 34388-2 TEAK 34388-3 7. PANEL WITH VINYL, RIGHT SIDE-SELECT COLOR:(NON-GRINDER UNITS) <ul style="list-style-type: none"> PORT-AU-PRINCE 34387-4 PRESIDENTIAL WALNUT 34387-1 REGENCY WALNUT 34387-2 TEAK 34387-3 | <ul style="list-style-type: none"> 7A. PANEL WITH VINYL, RIGHT SIDE-SELECT COLOR:
(UNITS WITH GRINDERS) <ul style="list-style-type: none"> PORT-AU-PRINCE 34386-4 PRESIDENTIAL WALNUT 34386-1 REGENCY WALNUT 34386-2 TEAK 34386-3 8. PANEL, CUPWELL (STAINLESS STEEL) 33610 9. PANEL WITH VINYL, BOTTOM-SELECT COLOR: <ul style="list-style-type: none"> PRESIDENTIAL WALNUT 34689-1 REGENCY WALNUT 34689-2 TEAK 34689-3 |
|---|--|

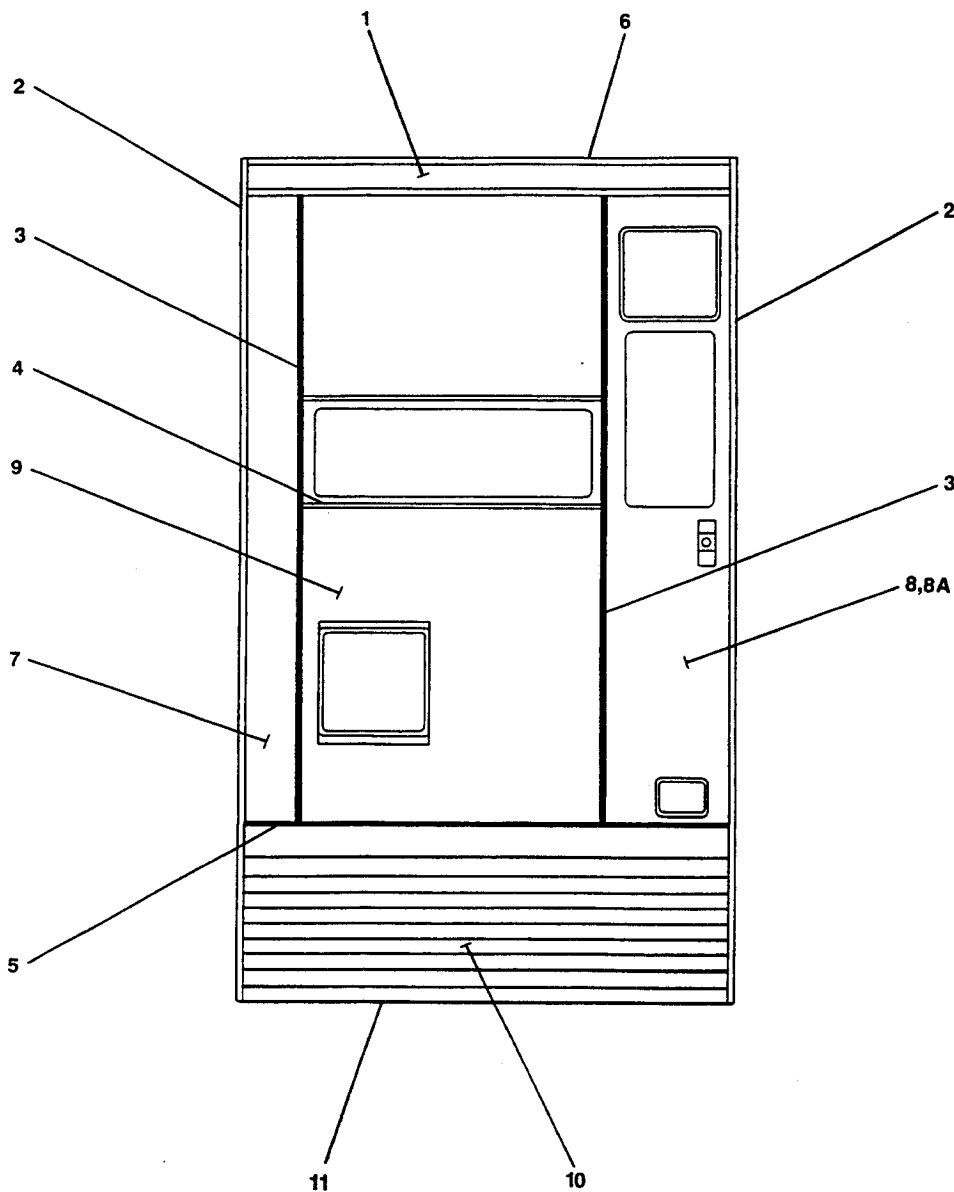
DOOR BEZELS-SEE MANUAL PAGE 5.01



GENISIS STYLE

<p>1. TRIM, TOP HEADER (36 3/8" LONG) 29972</p> <p>2. TRIM, VERTICAL, DOOR EDGE (65 11/16" LONG) 29938</p> <p>3. TRIM, VERTICAL (49 1/16" LONG) 32247</p> <p>4. TRIM, SELECTOR PANEL 33634</p> <p>5. TRIM, HORIZONTAL, BLACK (36 3/8" LONG) 30681-1</p> <p>6. INSERT, TOP HEADER-BLACK 35001</p> <p>7. PANEL WITH VINYL, LEFT SIDE-BLACK 34960-5</p>	<p>8. PANEL WITH VINYL, RIGHT SIDE-BLACK (NON-GRINDER UNITS) 34392-5</p> <p>8A. PANEL WITH VINYL, RIGHT SIDE-BLACK (UNITS WITH GRINDERS) 34391-5</p> <p>9. PANEL WITH VINYL, CENTER 34363-4</p> <p>10. PANEL WITH STRIPES 34999</p> <p>11. BOTTOM PANEL RETAINER 32458</p>
--	--

DOOR BEZELS-SEE MANUAL PAGE 5.01

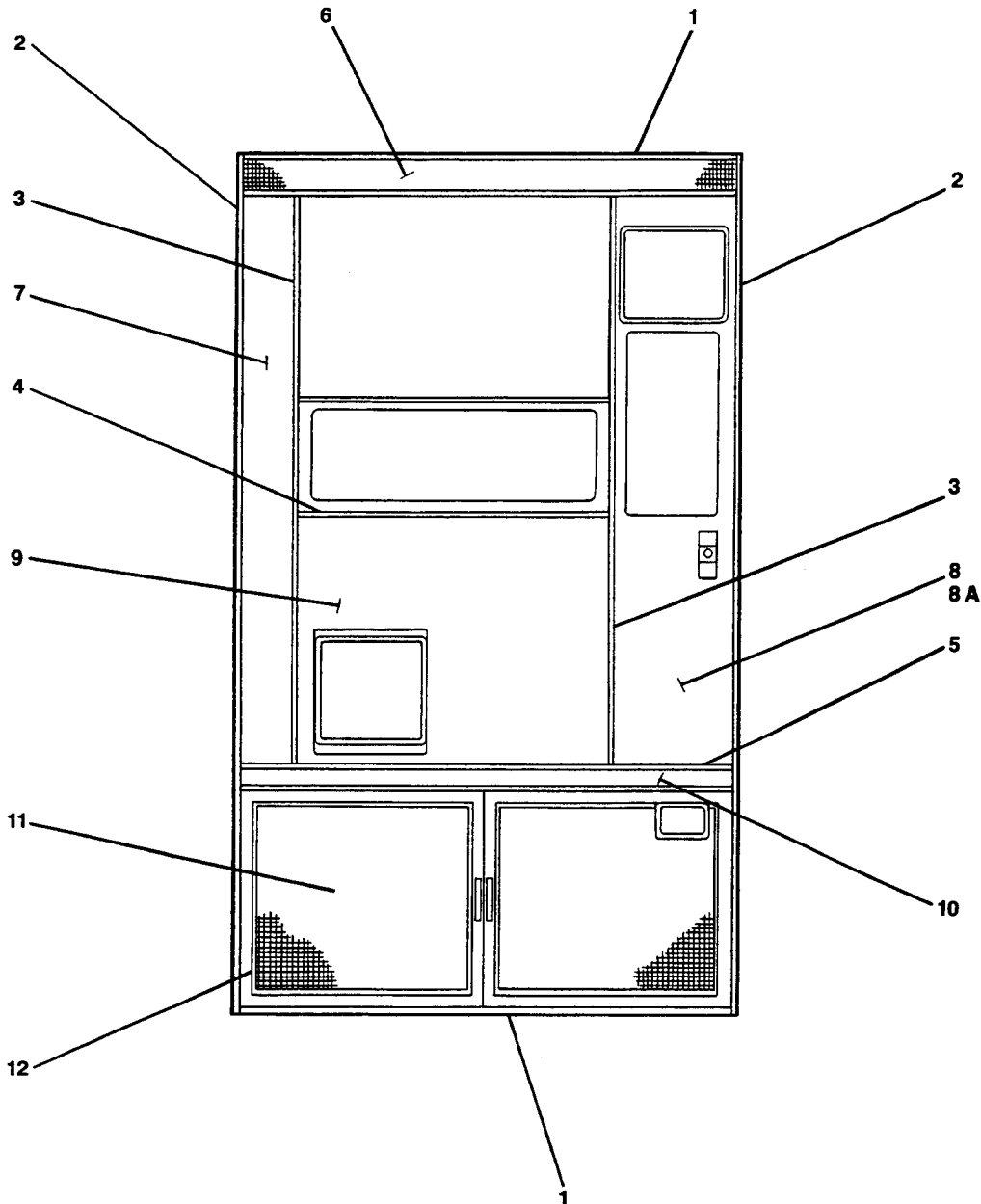


GOLDEN II STYLE

- 1. TRIM, TOP & BOTTOM, HORIZONTAL, BRONZE (36 3/8") . . . 31291
- 2. TRIM, VERTICAL, DOOR EDGE, BRONZE (65 11/16" LONG) . 29939
- 3. TRIM, VERTICAL, BRONZE (42 15/16" LONG) 32247-3
- 4. TRIM, SELECTOR PANEL (23 1/4" LONG) 33634
- 5. TRIM, CENTER, BRONZE (36 3/8" LONG) 31422
- 6. PANEL WITH VINYL, TOP HEADER-CANE VINYL 34700
- 7. PANEL WITH VINYL, LEFT SIDE-PRESIDENTIAL WALNUT . . 34388-1
- 8. PANEL WITH VINYL, RIGHT SIDE-PRESIDENTIAL WALNUT-(NON-GRINDER UNITS) 34387-1

- 8A. PANEL WITH VINYL, RIGHT SIDE-PRESIDENTIAL WALNUT (UNITS WITH GRINDERS) 34386-1
- 9. PANEL, CUPWELL (STAINLESS STEEL) 33610
- 10. PANEL WITH VINYL, CENTER-PRESIDENTIAL WALNUT . . . 31056
- 11. PANEL WITH VINYL, BOTTOM-CANE VINYL 34689-4
- 12. TRIM, FRAME, BOTTOM 33988

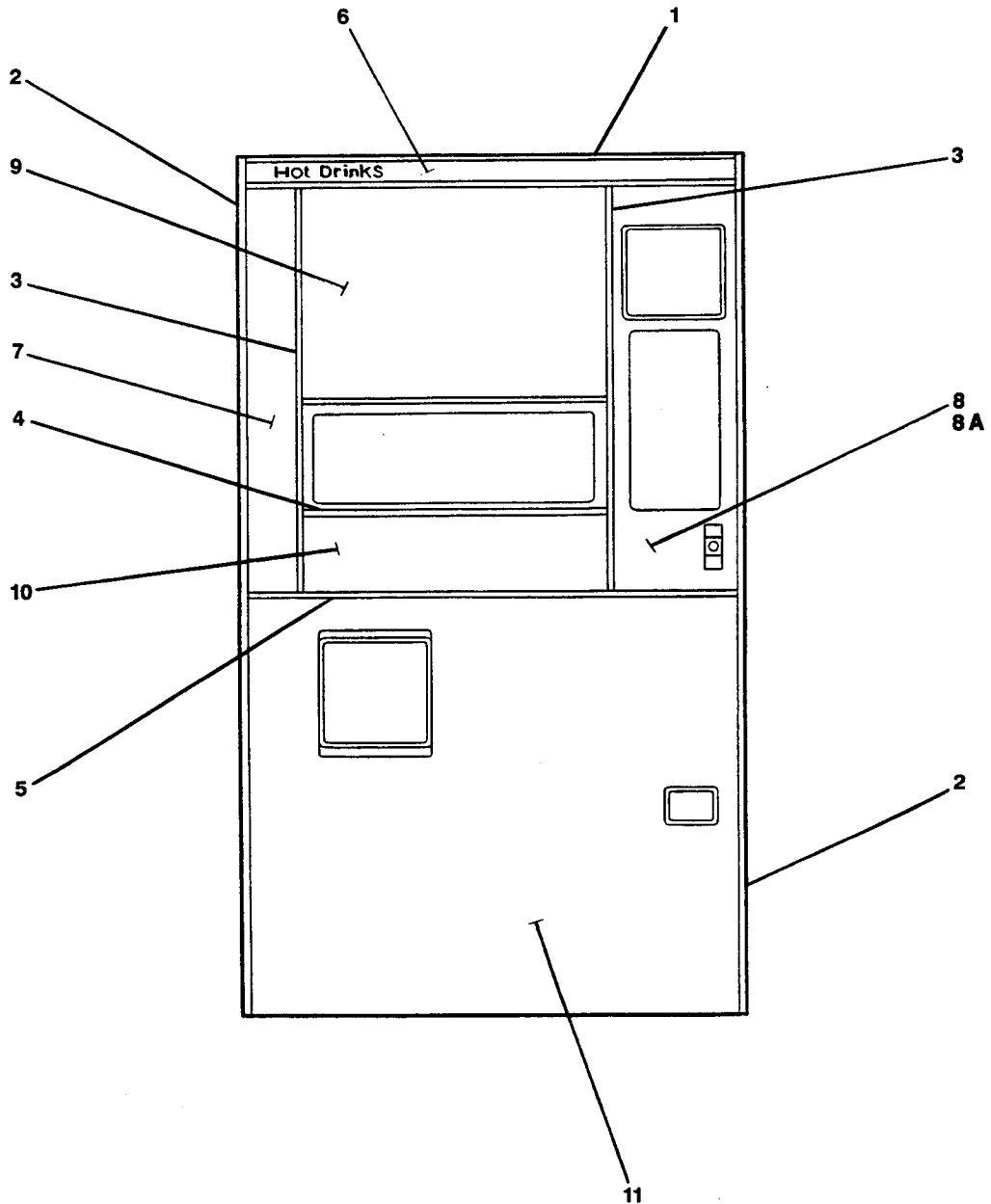
DOOR BEZELS-SEE MANUAL PAGE 5.01



HI-TECH STYLE

- | | |
|---|---|
| <ul style="list-style-type: none"> 1. TRIM, TOP HEADER (36 3/8" LONG) 29972 2. TRIM, VERTICAL, DOOR EDGE (65 11/16" LONG) 29938 3. TRIM, VERTICAL (31 1/32" LONG) 31212 4. TRIM, SELECTOR PANEL (23 1/4" LONG) 33634 5. TRIM, HORIZONTAL (36 3/8" LONG) 30681 6. INSERT, TOP HEADER-"HOT DRINKS" 31229 7. PANEL WITH VINYL, LEFT SIDE-BRUSH STAINLESS 34696-1 8. PANEL WITH VINYL, RIGHT SIDE-BRUSH STAINLESS
NON-GRINDER UNITS 34694-1 | <ul style="list-style-type: none"> 8A. PANEL WITH VINYL, RIGHT SIDE-BRUSH STAINLESS
UNITS WITH GRINDERS 34695-1 9. PANEL WITH VINYL, ARTWORK AREA-BRUSH STAINLESS . 31232 10. PANEL WITH VINYL, CENTER-UPPER AREA
BRUSH STAINLESS 34698-1 11. PANEL WITH VINYL, CUPWELL AREA & BOTTOM
BRUSH STAINLESS 34697-1 |
|---|---|

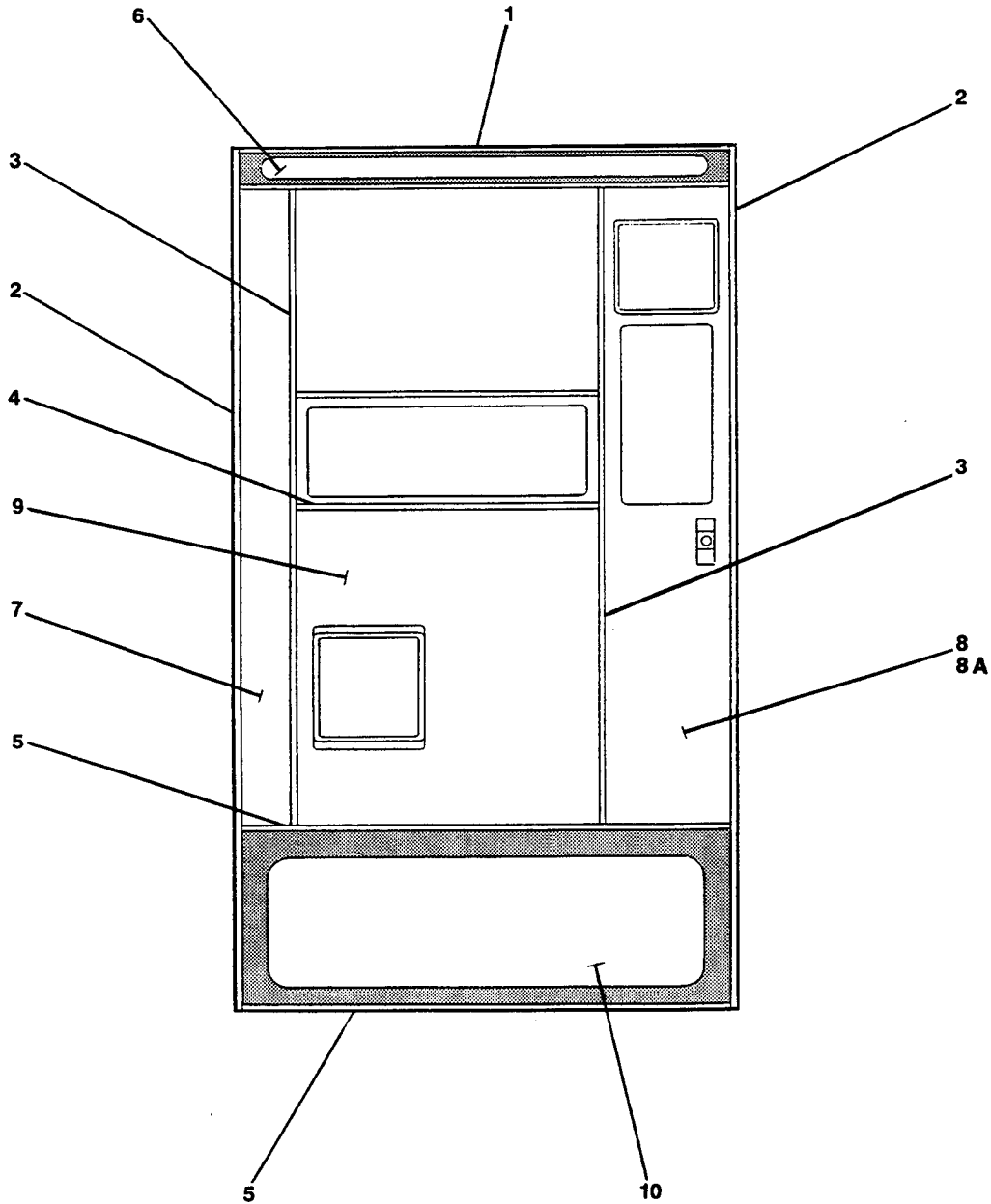
DOOR BEZELS-SEE MANUAL PAGE 5.01



STARLITE STYLE

- | | |
|---|---|
| <ul style="list-style-type: none"> 1. TRIM, TOP HEADER (36 3/8" LONG) 29973 2. TRIM, VERTICAL, DOOR EDGE, BRONZE (65 11/16" LONG) . 29939 3. TRIM, VERTICAL (49 1/16" LONG) 30294 4. TRIM, SELECTOR PANEL (23 1/4" LONG) 33634 5. TRIM, HORIZONTAL (36 3/8" LONG) 30401 6. INSERT, TOP HEADER-GOLD VINYL WITH BROWN BORDER 30769 7. PANEL WITH VINYL, LEFT SIDE-CHARCOAL BROWN 34690-4 | <ul style="list-style-type: none"> 8. PANEL WITH VINYL, RIGHT SIDE-CHARCOAL BROWN
NON-GRINDER UNITS 34392-4 8A. PANEL WITH VINYL, RIGHT SIDE-CHARCOAL BROWN
UNITS WITH GRINDERS 34391-4 9. PANEL WITH VINYL, CENTER, CUPWELL AREA-STERLING . 34693-4 10. PANEL WITH VINYL,BOTTOM-GOLD VINYL WITH
BROWN BORDER 30770 |
|---|---|

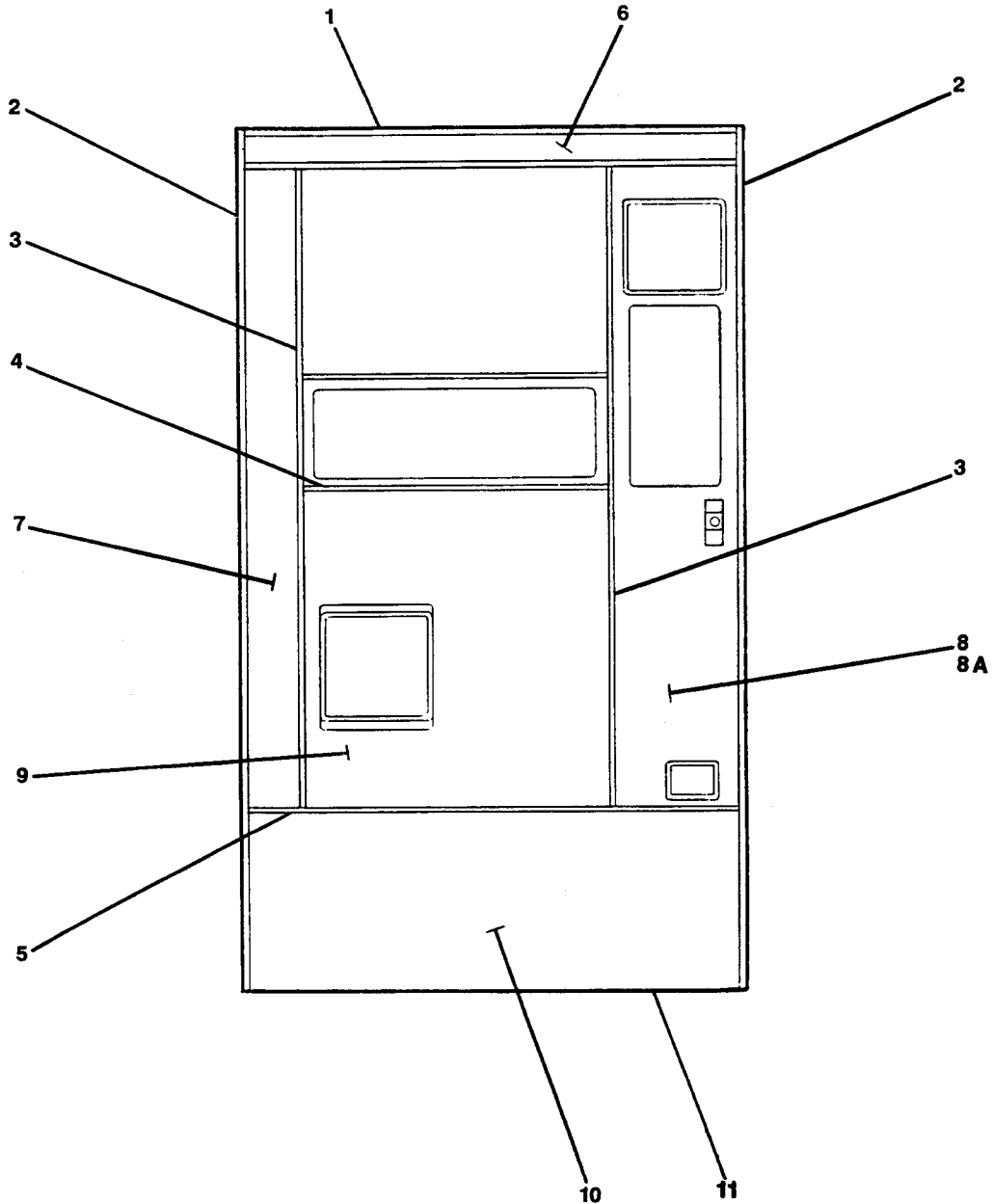
DOOR BEZELS-SEE MANUAL PAGE 5.01



STERLING STYLE

- | | |
|---|---|
| <ul style="list-style-type: none"> 1. TRIM, TOP HEADER, BLACK (36 3/8" LONG) 32246 2. TRIM, VERTICAL, DOOR EDGE, BLACK (65 11/16" LONG) .. 29940 3. TRIM, VERTICAL, BLACK (49 1/16" LONG) 32247 4. TRIM, SELECTOR PANEL, BLACK (23 1/4" LONG) 33634-1 5. TRIM, HORIZONTAL, BLACK (36 3/8" LONG) 32248 6. PANEL WITH VINYL, TOP HEADER, BLACK 32249 7. PANEL WITH VINYL, LEFT SIDE-PEWTER 34690-2 | <ul style="list-style-type: none"> 8. PANEL WITH VINYL, RIGHT SIDE-PEWTER
NON-GRINDER UNITS 34392-2 8A. PANEL WITH VINYL, RIGHT SIDE-PEWTER
UNITS WITH GRINDERS 34391-2 9. PANEL WITH VINYL, CENTER, CUPWELL AREA-PEWTER .. 34693-2 10. PANEL WITH VINYL, BOTTOM-SLATE 34692-4 11. BOTTOM PANEL RETAINER 32458 |
|---|---|

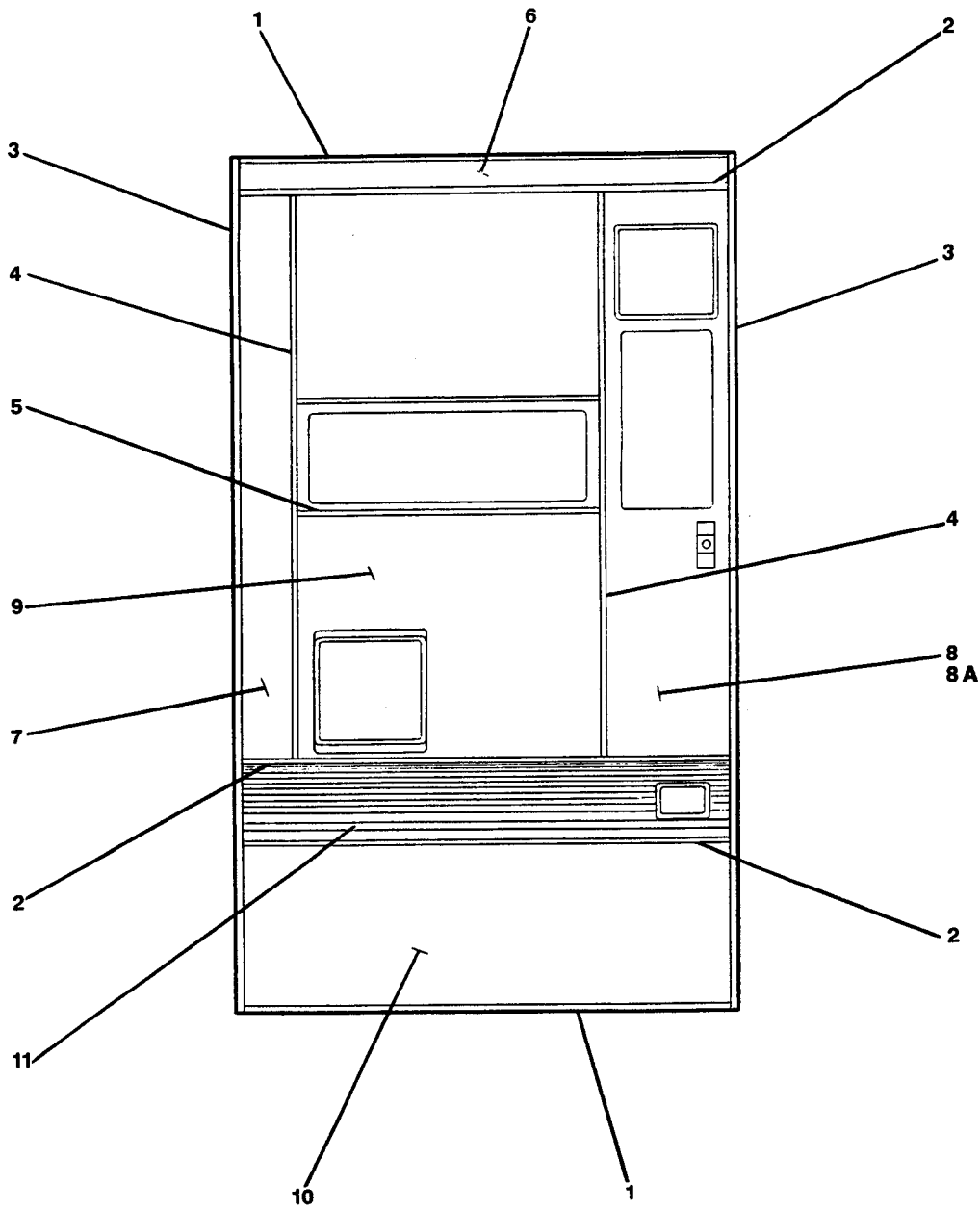
DOOR BEZELS-SEE MANUAL PAGE 5.01



TRON II STYLE

<p>1. TRIM, HORIZONTAL, BLACK (36 3/8" LONG) 26666</p> <p>2. TRIM, HORIZONTAL (36 3/8" LONG) 30681</p> <p>3. TRIM, VERTICAL, DOOR EDGE, BLACK (65 11/16" LONG) .. 29940</p> <p>4. TRIM, VERTICAL (42 15/16" LONG) 30293</p> <p>5. TRIM, SELECTOR PANEL (23 1/4" LONG) 33634</p> <p>6. PANEL WITH VINYL, TOP HEADER-BLACK 31884</p> <p>7. PANEL WITH VINYL, LEFT SIDE-DOVE GRAY 34388-5</p>	<p>8. PANEL WITH VINYL, RIGHT SIDE-DOVE GRAY NON-GRINDER UNITS 34387-5</p> <p>8A. PANEL WITH VINYL, RIGHT SIDE-DOVE GRAY (UNITS WITH GRINDERS) 34386-5</p> <p>9. PANEL, CUPWELL (STAINLESS STEEL) 33610</p> <p>10. PANEL WITH VINYL, BOTTOM-DOVE GRAY 34688-1</p> <p>11. PANEL, DOOR, HORIZONTAL 33626</p>
--	--

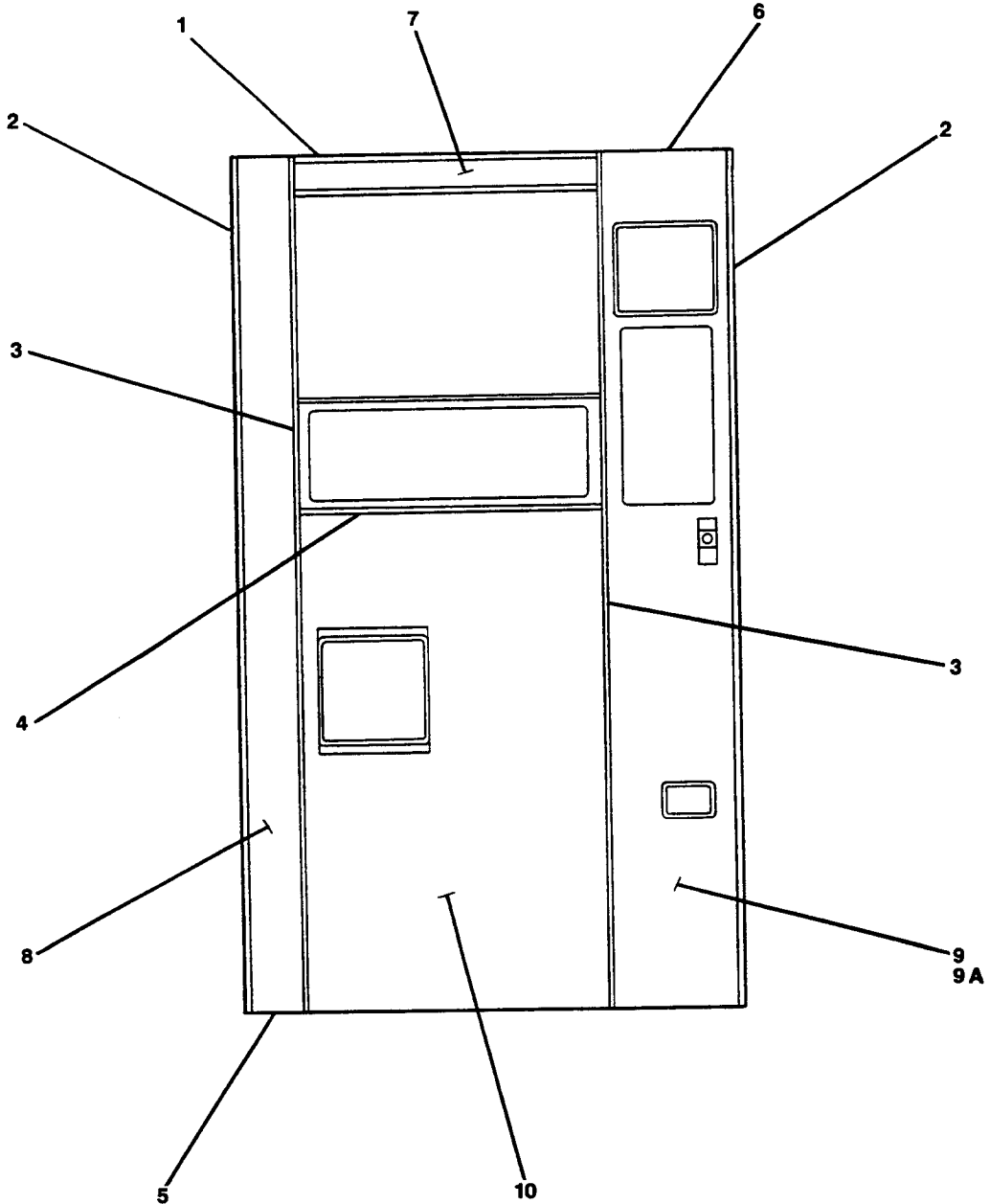
DOOR BEZELS-SEE MANUAL PAGE 5.01



VANTAGE STYLE

- | | |
|---|--|
| <ul style="list-style-type: none"> 1. TRIM, TOP HEADER, BLACK (23 1/2" LONG) 32161 2. TRIM, VERTICAL, DOOR EDGE, BLACK (65 11/16" LONG) .. 29940 3. TRIM, VERTICAL, BLACK (65 11/16" LONG) 32162 4. TRIM, SELECTOR PANEL (23 1/4" LONG) 33634 5. BRACKET, PANEL RETAINER 32458 6. TRIM, DOOR VINYL EDGING, TOP, BLACK 33628 7. PANEL WITH VINYL, TOP HEADER, BLACK 34672-1 | <ul style="list-style-type: none"> 8. PANEL WITH VINYL, LEFT SIDE-BRUSH STAINLESS 34670-1 9. PANEL WITH VINYL, RIGHT SIDE-BRUSH STAINLESS
NON-GRINDER UNITS 34390-1 9A. PANEL WITH VINYL, RIGHT SIDE-BRUSH STAINLESS
UNIT WITH GRINDERS 34389-1 10. PANEL WITH VINYL, CUPWELL AREA & BOTTOM-BLACK .. 33639-1 |
|---|--|

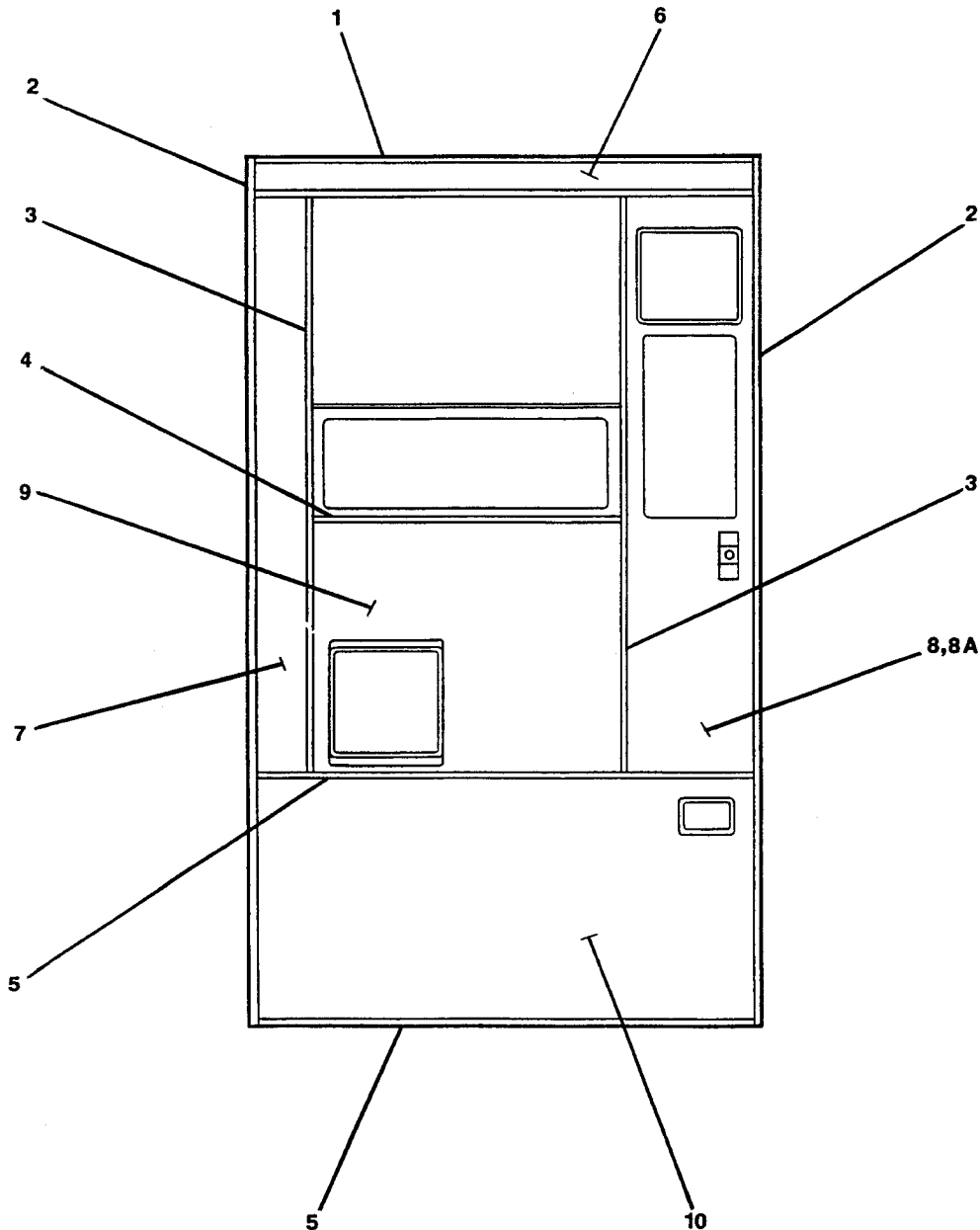
DOOR BEZELS-SEE MANUAL PAGE 5.01



VIP STYLE

- | | |
|---|--|
| <ul style="list-style-type: none"> 1. TRIM, TOP HEADER (36 3/8" LONG) 29972 2. TRIM, VERTICAL, DOOR EDGE (65 11/16" LONG) 29938 3. TRIM, VERTICAL (43 7/16" LONG) 31207 4. TRIM, SELECTOR PANEL (23 1/4" LONG) 33634 5. TRIM, HORIZONTAL (36 3/8" LONG) 30681 6. PANEL WITH VINYL, TOP HEADER-SELECT COLOR: <ul style="list-style-type: none"> PRESIDENTIAL WALNUT 31274 REGENCY WALNUT 31276 TEAK 31275 7. PANEL WITH VINYL, LEFT SIDE-SELECT COLOR: <ul style="list-style-type: none"> PRESIDENTIAL WALNUT 34687-1 REGENCY WALNUT 34687-2 TEAK 34687-3 | <ul style="list-style-type: none"> 8. PANEL WITH VINYL, RIGHT SIDE-SELECT COLOR: NON-GRINDER UNITS <ul style="list-style-type: none"> PRESIDENTIAL WALNUT 34684-1 REGENCY WALNUT 34684-2 TEAK 34684-3 8A. PANEL WITH VINYL, RIGHT SIDE-SELECT COLOR: <ul style="list-style-type: none"> UNITS WITH GRINDERS PRESIDENTIAL WALNUT 34685-1 REGENCY WALNUT 34685-2 TEAK 34685-3 9. PANEL, CUPWELL (STAINLESS STEEL) 33610 10. PANEL WITH VINYL, BOTTOM-SELECT COLOR: <ul style="list-style-type: none"> PRESIDENTIAL WALNUT 34689-1 REGENCY WALNUT 34689-2 TEAK 34689-3 |
|---|--|

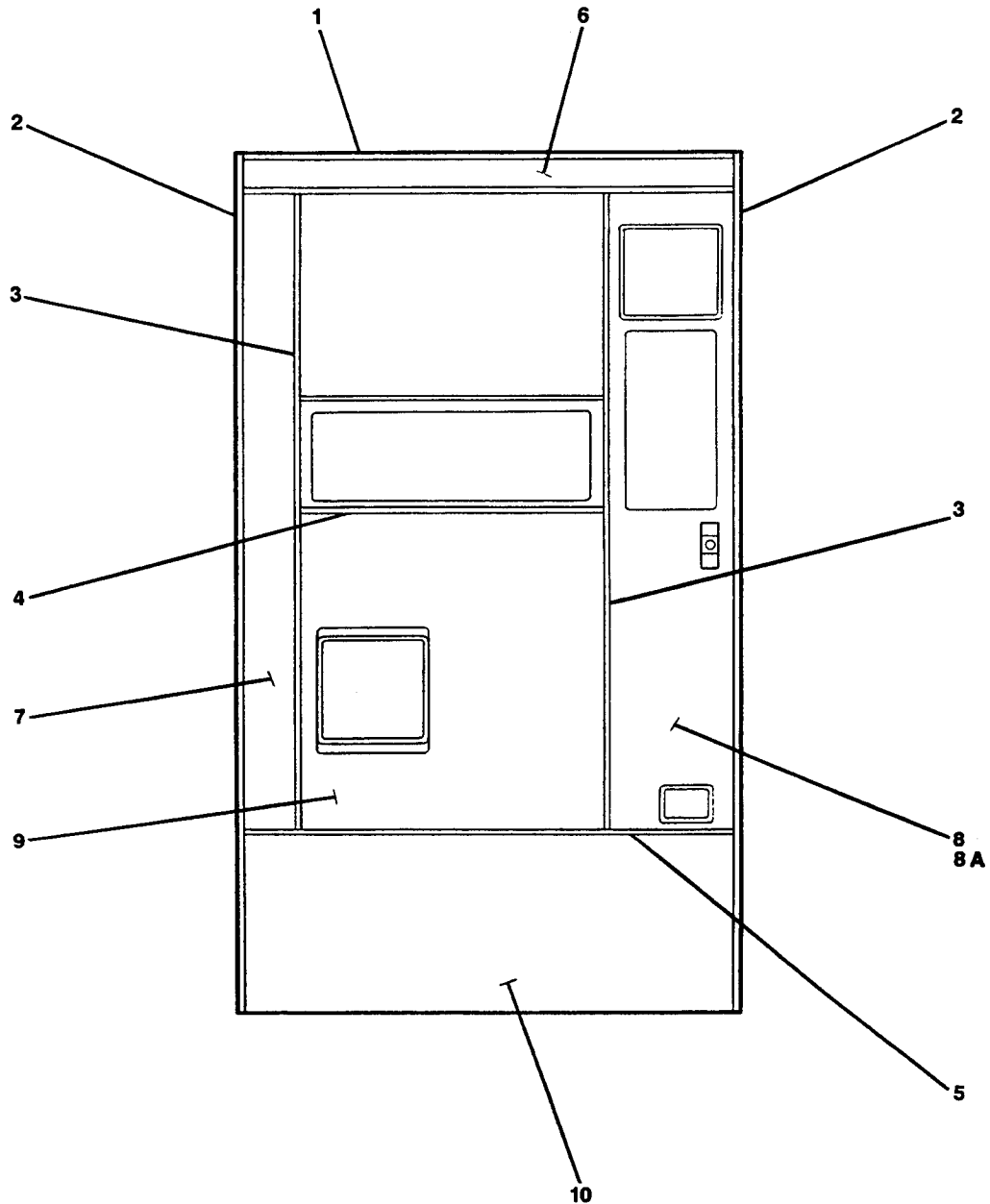
DOOR BEZELS-SEE MANUAL PAGE 5.01

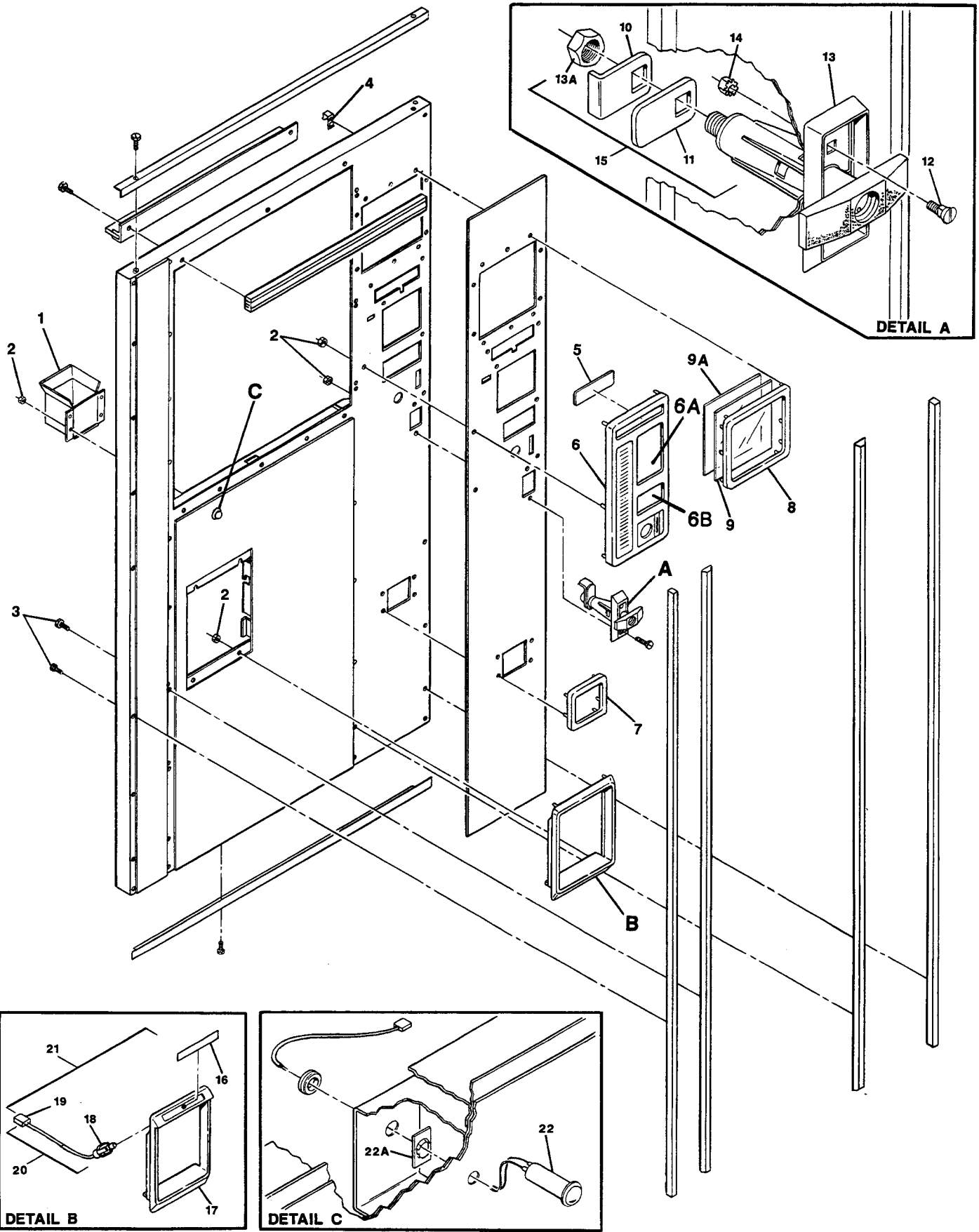


WHEATSTONE STYLE

- | | |
|---|--|
| <ul style="list-style-type: none"> 1. TRIM, TOP HEADER (36 3/8" LONG) 29973 2. TRIM, VERTICAL, DOOR EDGE, BRONZE (65 11/16" LONG) . 29939 3. TRIM, VERTICAL (49 1/16" LONG) 30294 4. TRIM, SELECTOR PANEL (23 1/4" LONG) 33634 5. TRIM, HORIZONTAL (36 3/8" LONG) 30401 6. PANEL WITH VINYL, TOP HEADER-GOLDEN LEATHER 31295 | <ul style="list-style-type: none"> 7. PANEL WITH VINYL, LEFT SIDE-BRONZE 34690-3 8. PANEL WITH VINYL, RIGHT SIDE-BRONZE
NON-GRINDER UNITS 34392-3 8A. PANEL WITH VINYL, RIGHT SIDE-BRONZE
UNITS WITH GRINDERS 34391-3 9. PANEL WITH VINYL, CENTER, CUPWELL AREA-BRONZE .. 34693-3 10. PANEL WITH VINYL, BOTTOM-GOLDEN LEATHER 34692-5 |
|---|--|

DOOR BEZELS-SEE MANUAL PAGE 5.01





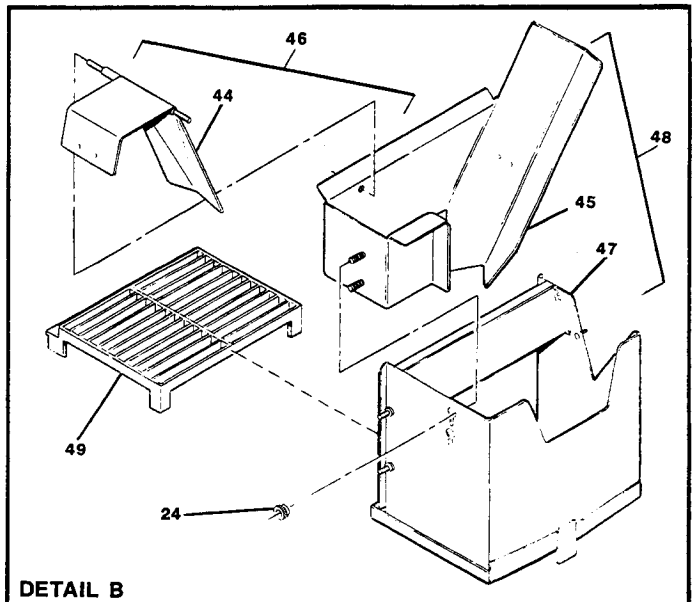
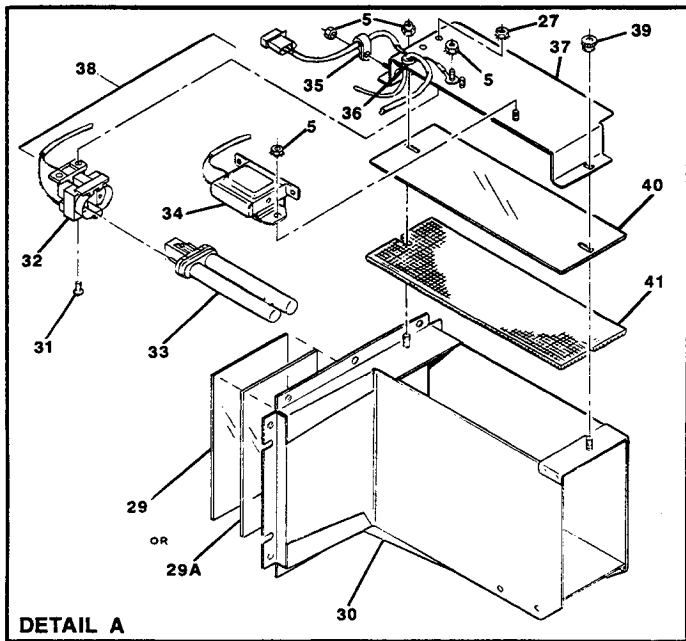
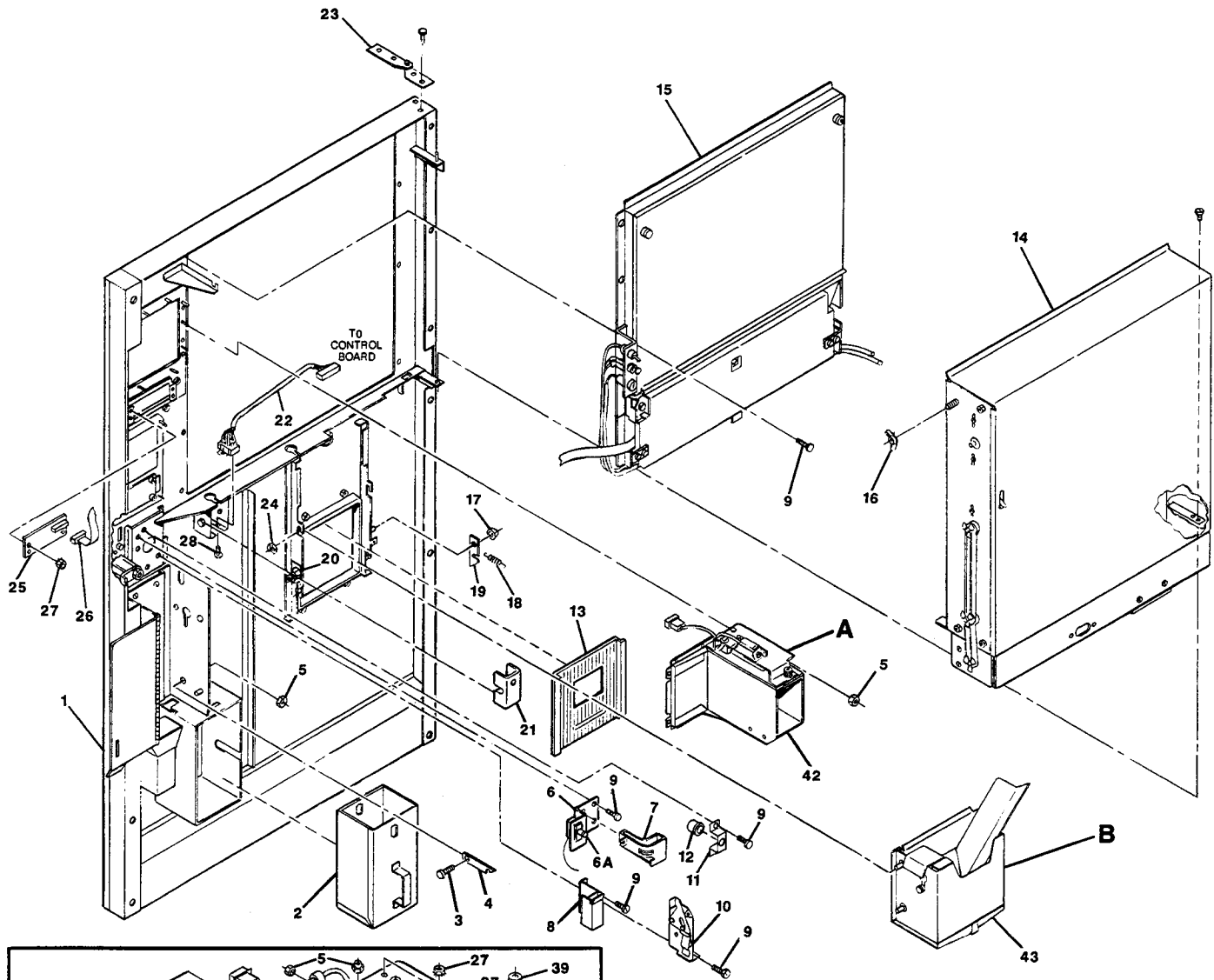
EXTERIOR DOOR

1.	CUP ASM, COIN RETURN	600503
2.	NUT, 1/4 S-T, PAL	18443
3.	SCREW, 6 X 3/8, HH, SD, PST 48TWHX	29942
4.	NUT, PAL, .185/.190 DIA. STUD	31640
5.	LENS, DISPLAY	440310
6.	BEZEL, CONTROL CENTER	320057
6A.	BILL VALIDATOR FILLER PLATE	660370
6B.	DEBIT CARD FILLER PLATE	660371
7.	BEZEL, COIN RETURN CUP	440296
8.	BEZEL, COFFEE BEAN VIEWER	32103
9.	ARTWORK, VIEWER WINDOW, LEXAN, STANDARD DESIGN READS: "GROUND AND BREWED WHEN YOU MAKE YOUR CHOICE", SILKSCREENED DIRECTLY ON LEXAN WINDOW	31084

NOTE: FOR ARTWORK, VIEWER WINDOW OTHER THAN STANDARD DESIGN, CONTACT RMI PARTS DEPARTMENT.

9A.	LENS, VIEWER WINDOW, LEXAN, BLANK (NO SILKSCREENING ON LEXAN WINDOW); USE WHEN ARTWORK IS SILKSCREENED ON VINYL BEHIND LEXAN WINDOW	31085
10.	CAM, LOCK, DOOR	31825
11.	CAM, LOCK, CHICAGO #4266	30453
12.	SCREW, 10-32 X 1/2, FLAT HEAD	00792
13.	LOCK, CHICAGO #4266	29922
13A.	NUT (PART OF ITEM 13-NOT SOLD SEPARATELY)	
14.	NUT, 10-32 KEP, EXT LK WA, PL	11750
15.	LOCK & CAM ASM, CHICAGO #4266 (INCLUDES ITEMS 10,12,13)	30460
16.	DECAL, CUPWELL BEZEL	34201
17.	BEZEL, CUPWELL (NOT SOLD SEPARATELY-ORDER ITEM 21)	
18.	INDICATOR, LED, WIRED (NOT SOLD SEPARATELY- ORDER ITEM 20 OR 21)	
19.	HOUSING (NOT SOLD SEPARATELY-ORDER ITEM 20 OR 21)	
20.	KIT, CYCLE LAMP WIRED & DECAL (INCLUDES ITEMS 16 AND 18)	35393
21.	BEZEL ASM W/CYCLE LAMP (INCLUDES ITEMS 17 & 20)	34365
22.	LAMP, PILOT, LED W/YELLOW LENS & FASTENER	32872
22A.	FASTENER, PUSH-ON (PART OF ITEM 22-NOT SOLD SEPARATELY) NOTE: ITEM 22 USED ON 203 UNITS PRIOR TO ADDING CYCLE LAMP TO BEZEL, AS SHOWN ON DETAIL B. TO REPLACE THE CUPWELL BEZEL ON THESE OLDER UNITS, ORDER 440329 BEZEL AND 460453 DECAL.	

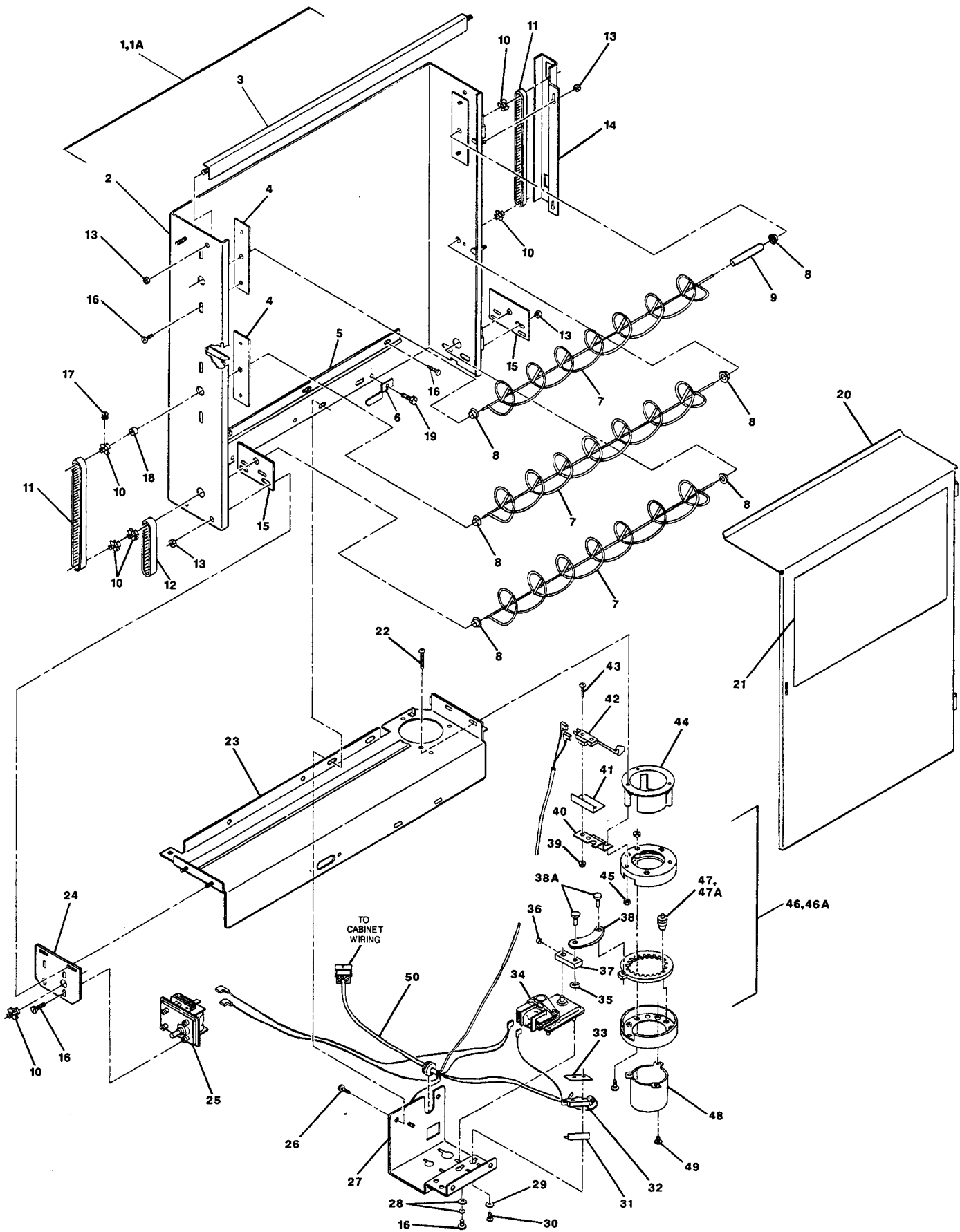
TRIM PIECES AND PANELS SHOWN FOR INSTALLATION REFERENCE
ONLY- SEE STYLING PAGES FOR ITEM NUMBERS.
(COLORS AND SIZES VARY BY STYLING.)



INTERIOR DOOR

1.	DOOR ASM, WELDED (ONLY)	31936
2.	BOX ASM COIN WITH HANDLE	600179-1
3.	SCREW, 8-32 X 3/8, PH	14491
4.	LATCH, COIN CHANGER HOUSING	27549
5.	NUT, 8-32 KEP, EXT LK WA, PL	11749
6.	BRACKET, COIN CHUTE DOOR SWITCH	33956
6A.	SWITCH, UCINITE, SPDT	15675
7.	CHUTE, COIN	440311
8.	CHANGER ASM, COIN CHUTE	600502
9.	SCREW, 8-32 X 3/8, HH, ZP, F, SD WA	14806
10.	RETURN ASM, COIN	660367
11.	BRACKET, COIN RETURN	201660
12.	BUTTON, COIN RETURN, GRAY	440289
13.	DOOR, CUPWELL	19290
14.	DISPENSER ASM, CUP (SEE MANUAL SECTION 6)	
15.	BOX ASM, SHADOW COMPLETE (SEE MANUAL PAGE 7.01)	
16.	NUT, 8-32 WING, ZINC WA BASE	06888
17.	NUT, 1/4 PUSH-ON	05682
18.	SPRING, CUPWELL CATCH	09023
19.	CATCH, CUPWELL, RHD	33820-1
20.	CATCH, CUPWELL, LHD	33820
21.	COVER, COIN MECH CONNECTOR	32455
22.	HARNESS ASM, COIN MECH, 24V	32920
22A.	HARNESS ASM, COIN MECH, 110V (NOT SHOWN)	34314 *
23.	HINGE ASM, WELDED, TOP	24605
24.	NUT, 1/4 S-T, PAL	18443
25.	BOARD, DISPLAY, MARS	31801
26.	CABLE ASM, RIBBON, CONTROL-DISPLAY	32918
27.	NUT, 6-32 KEP, LK WA, PL	11745
28.	SCREW, 6-32 X 3/8, PH, PL	12503
29.	INSERT, VIEWER WINDOW (USED WHEN ARTWORK IS SILKSCREENED ON LEXAN WINDOW); SELECT COLOR:	
	GOLD (STANDARD)	31086
	BEIGE	31086-1
	WHITE	31086-2
29A.	VINYL, VIEWER WINDOW, STANDARD DESIGN, READS "GROUND AND BREWED WHEN YOU MAKE YOUR CHOICE"; SILKSCREENED ON VINYL INSERT	34423
	NOTE: FOR VINYL, VIEWER WINDOW OTHER THAN STANDARD DESIGN, CONTACT RMI PARTS DEPARTMENT.	
30.	BOX ASM, BEAN VIEWER	34418
31.	SCREW, 6-32 X 5/16, TH, SD	22194
32.	SOCKET, SIDE MOUNT, BIAXIAL	32718
33.	LAMP UNIT, 7W., BIAXIAL, FLUORESCENT	32717
34.	BALLAST UNIT, 7 9W.	32716
35.	CLAMP, 'P', 1/4, NYLON	27604
36.	GROMMET, 3/8 X 15/32	03593
37.	BRACKET ASM, FLUR LAMP, VIEWER	32893
38.	LAMP ASM, FLUORESCENT, VIEWER, WIRED (INCLUDES ITEMS 5,27,31-37)	32925
39.	NUT, 8-32, KN, THUMB	05625
40.	COVER, DIFFUSER, BEAN VIEWER	34415
41.	DIFFUSER, BEAN VIEWER	34416
42.	VIEWER ASM, COFFEE BEANS (INCLUDES ITEMS 30, 38-41)	34441
43.	CUPWELL ASM W/CHUTE & GRILL (INCLUDES ITEMS 24,46,48 & 49)	19360
44.	RETARDER ASM, CUP CHUTE	12436
45.	CHUTE ASM, CUP	16931
46.	CHUTE & RETARDER ASM (INCLUDES ITEMS 44 & 45)	23105
47.	CUPWELL ASM	18740
48.	CUPWELL & CHUTE ASM (INCLUDES ITEMS 46 & 47)	19359
49.	GRILL, CUPWELL	19773
50.	BILL VALIDATOR HARNESS 24V-MARS	33887
51.	BILL VALIDATOR HARNESS 110V-MARS(NOT SHOWN)	34369 *
52.	CONVERTER BOX 110V FOR COIN MECH AND VALIDATOR(NOT SHOWN)	34355

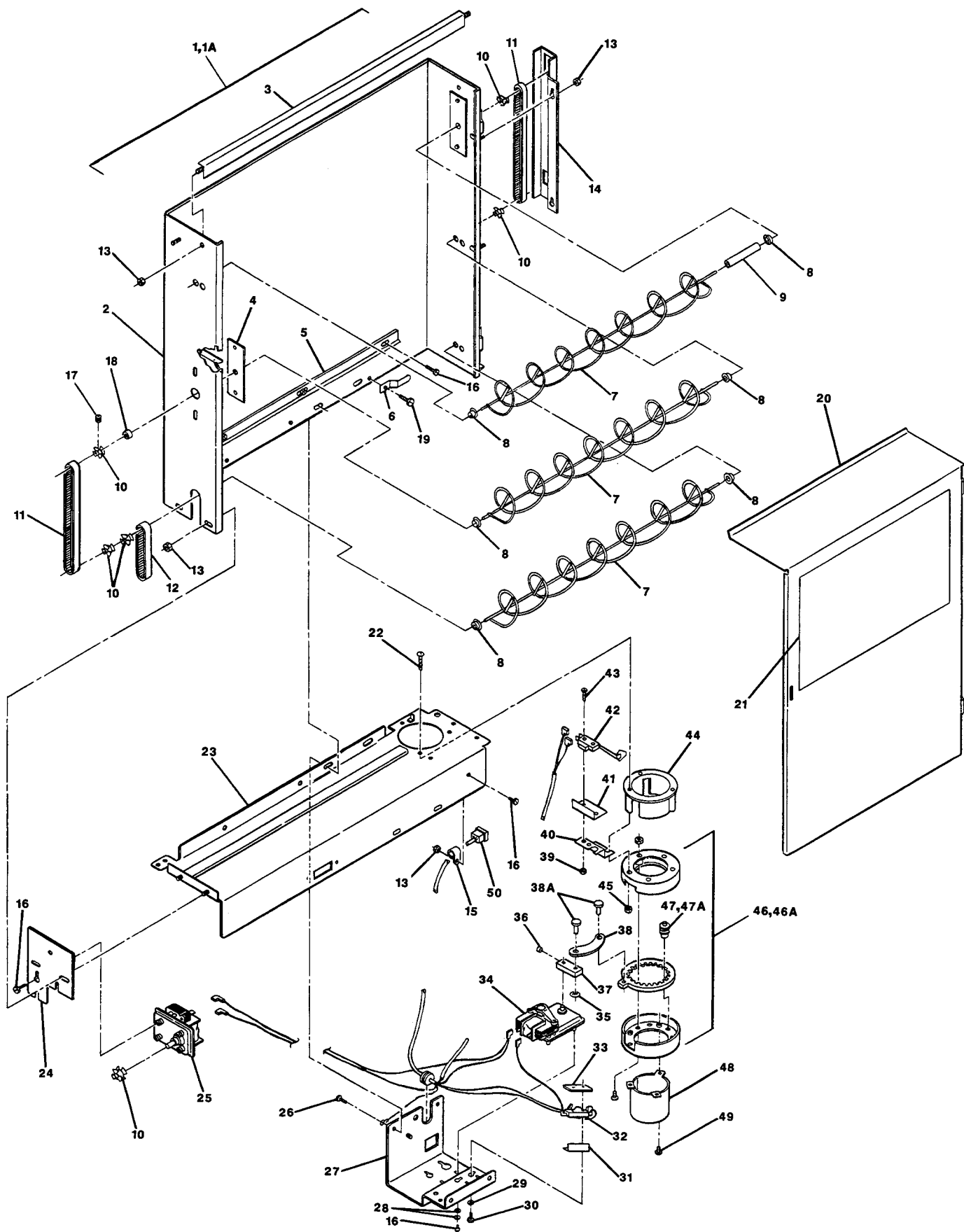
* ITEMS 22A AND 51 MUST BE USED WITH ITEM 52



CUP DISPENSER ASSEMBLY

**NOTE: IF ITEMS 2, 15 & 24 DO NOT MATCH ILLUSTRATION,
SEE MANUAL PAGE 6.02.**

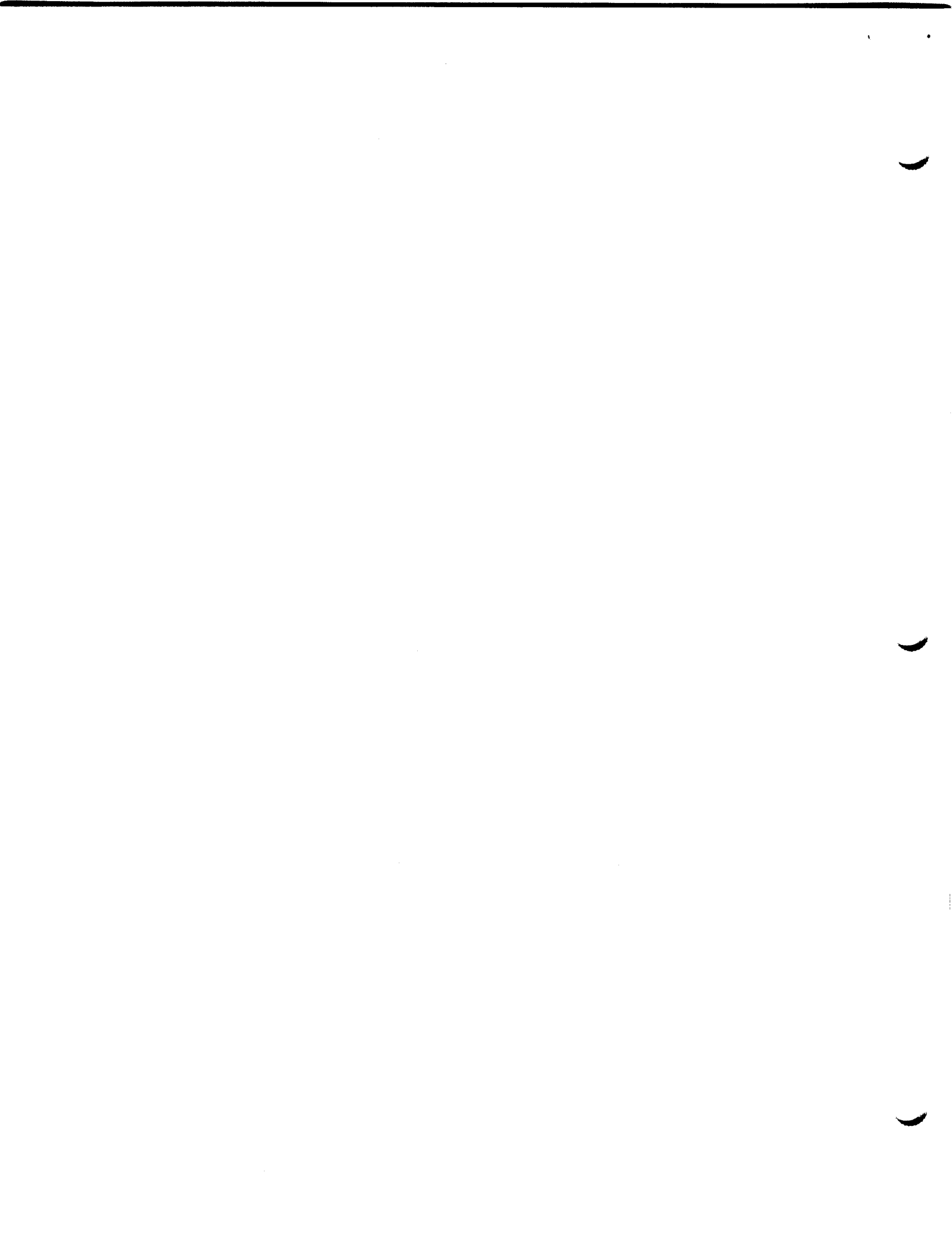
1.	DISPENSER ASM, CUP, 7 OZ (INCLUDES ITEMS 2-19,22-45,46,47,48-50)	33589
1A.	DISPENSER ASM, CUP, 9 OZ (INCLUDES ITEMS 2-19,22-45,46A,47A,48-50)	33590
2.	WRAPPER ASM (ONLY), WELDED	30839
3.	BRACKET ASM, STIFFENER, WRAPPER	18557
4.	PLATE, ADJUSTING, CUP SPIRAL	16659
5.	GUIDE, CUP, SIDE	18562
6.	GUIDE, CUP, BOTTOM	18173
7.	SPIRAL, CUP	18163
8.	NYLINER, 4L1FF	16058-9
9.	SPACER, SPIRAL TOP	30863
10.	PULLEY (ONLY)	10215
11.	BELT, TIMING, 22" LONG	13795
12.	BELT, TIMING, 10" LONG	10213
13.	NUT, 8-32 KEP, EXT LK WA, PL	11749
14.	GUARD, DRIVE BELT, RHD	30865
15.	PLATE, CUP WRAPPER ADAPTER	26060
16.	SCREW, 8-32 X 1/4, PH, M	14487
17.	SCREW, 10-32 X 3/16, SOCKET, KN	14807
18.	SPACER, PLASTIC, CUP WRAPPER	30972
19.	SCREW, 8-32 X 1/2, HH, TYPE F, PL	31333
20.	DOOR (ONLY), CUP DISPENSER, WELDED	30846
21.	SCHEMATIC AND NOTES	33984
22.	SCREW, 10-32 X 2 1/4, PL	16337
23.	BASE ASM, CUP DISPENSER	30859
24.	BRACKET, SPIRAL MOTOR	16694
25.	MOTOR, SPIRAL	12203
26.	SCREW, 8-32 X 3/8, HH, F, ZP, SD WA	14806
27.	BRACKET, CUP MOTOR AND SWITCH	16671
28.	WASHER, FLAT, #8, PL	00961
29.	WASHER, FLAT, #6, PL	00826
30.	SCREW, 6-32 X 1, RH, PL	00050
31.	INSULATION, SWITCH	17049
32.	SWITCH, CUP DROP MOTOR (MODIFY 09598)	17081
33.	NUT, 6-32, TWIN-SPEED	01179
34.	MOTOR, CUP DROP, 30 RPM	16038
35.	NUT, 3/16 PUSH-ON, TNN	04112
36.	SCREW, 8-32 X 3/16, NYLK, SOCKET SET	03272
37.	ARM, MOTOR, CUP DISP	15450
38.	ROD, CONNECTING	16657
38A.	PIN, WELD (PART OF ITEM 38-NOT SOLD SEPARATELY)	
39.	NUT, 4-40, KEP	22849
40.	BRACKET, INDEX SWITCH	25989
41.	INSULATION, INDEX SWITCH	22728
42.	SWITCH ASM (INCLUDES SWITCH & ACTUATOR)	23370
43.	SCREW, 4-40 X 5/8, PH, M, NY	23369
44.	THROAT, CUP DISPENSER	16701
45.	NUT, 10-32 KEP, EXT LK WA, PL	11750
46.	DISPENSER, 7 OZ CUP SEPARATOR (INCLUDES ITEM 47)	16012
46A.	DISPENSER, 9 OZ CUP SEPARATOR (INCLUDES ITEM 47A)	16013
47.	GEAR, WORM, 7 OZ (PART OF ITEM 46)	19361
47A.	GEAR, WORM, 9 OZ (PART OF ITEM 46A)	19362
48.	CHUTE, CUP, ANTI-THEFT	23752
49.	SCREW, 1/4-20 X 3/8, PH, SD, S-TP, PL	26572
50.	HARNES ASM, CUP DISPENSER	33586



CUP DISPENSER ASSEMBLY

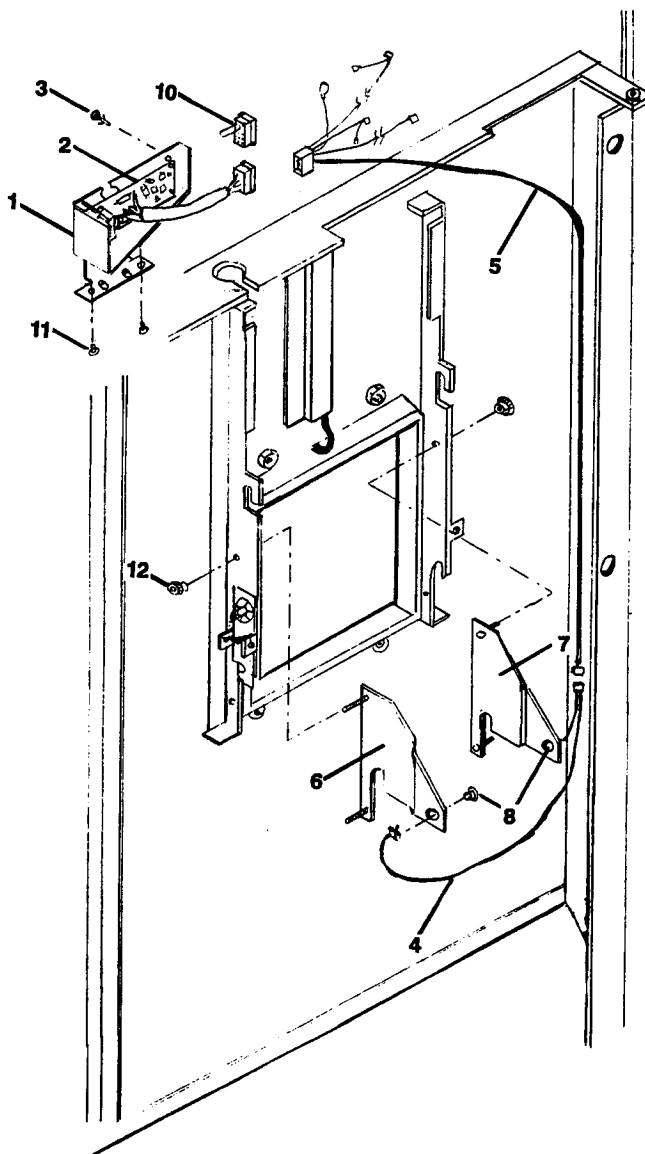
**NOTE: IF ITEMS 2, 15 & 24 DO NOT MATCH ILLUSTRATION,
SEE MANUAL PAGE 6.01.**

1.	DISPENSER ASM, CUP, 7 OZ. (INCLUDES ITEMS 2-19,22-45,46,47,48-50)	34372
1A.	DISPENSER ASM, CUP, 9 OZ. (INCLUDES ITEMS 2-19,22-45,46A,47A,48-50)	34373
2.	WRAPPER ASM (ONLY), WELDED	33977
3.	BRACKET ASM, STIFFENER, WRAPPER	18557
4.	PLATE, ADJUSTING, CUP SPIRAL	33970
5.	GUIDE, CUP, SIDE	18562
6.	GUIDE, CUP, BOTTOM	18173
7.	SPIRAL, CUP	18163
8.	NYLINER, 4L1FF	16058-9
9.	SPACER, SPIRAL TOP	30863
10.	PULLEY (ONLY)	10215
11.	BELT, TIMING, 22" LONG	13795
12.	BELT, TIMING, 10" LONG	10213
13.	NUT, 8-32 KEP, EXT LK WA, PL	11749
14.	GUARD, DRIVE BELT, RHD	30865
15.	CLAMP, 'P', 1/2-6B, PLASTIC	17588
16.	SCREW, 8-32 X 1/4, PH, M	14487
17.	SCREW, 10-32 X 3/16, SOCKET, KN	14807
18.	SPACER, PLASTIC, CUP WRAPPER	30972
19.	SCREW, 8-32 X 1/2, HH, TYPE F, PL	31333
20.	DOOR (ONLY), CUP DISPENSER, WELDED	30846
21.	SCHEMATIC AND NOTES	33984
22.	SCREW, 10-32 X 2 1/4, PL	16337
23.	BASE ASM, CUP DISPENSER	33974
24.	PLATE, SPIRAL MOTOR	33971
25.	MOTOR, SPIRAL	12203
26.	SCREW, 8-32 X 3/8, HH, F, ZP, SD WA	14806
27.	BRACKET, CUP MOTOR AND SWITCH	16671
28.	WASHER, FLAT, #8, PL	00961
29.	WASHER, FLAT, #6, PL	00826
30.	SCREW, 6-32 X 1, RH, PL	00050
31.	INSULATION, SWITCH	17049
32.	SWITCH, CUP DROP MOTOR (MODIFY 09598)	17081
33.	NUT, 6-32, TWIN-SPEED	01179
34.	MOTOR, CUP DROP, 30 RPM	16038
35.	NUT, 3/16 PUSH-ON, TNN	04112
36.	SCREW, 8-32 X 3/16, NYLK, SOCKET SET	03272
37.	ARM, MOTOR, CUP DISP	15450
38.	ROD, CONNECTING	16657
38A.	PIN, WELD (PART OF ITEM 38-NOT SOLD SEPARATELY)	
39.	NUT, 4-40, KEP	22849
40.	BRACKET, INDEX SWITCH	25989
41.	INSULATION, INDEX SWITCH	22728
42.	SWITCH ASM (INCLUDES SWITCH & ACTUATOR)	23370
43.	SCREW, 4-40 X 5/8, PH, M, NY	23369
44.	THROAT, CUP DISPENSER	16701
45.	NUT, 10-32 KEP, EXT LK WA, PL	11750
46.	DISPENSER, 7 OZ. CUP SEPARATOR (INCLUDES ITEM 47)	16012
46A.	DISPENSER, 9 OZ. CUP SEPARATOR (INCLUDES ITEM 47A)	16013
47.	GEAR, WORM, 7 OZ. (PART OF ITEM 46)	19361
47A.	GEAR, WORM, 9 OZ. (PART OF ITEM 46A)	19362
48.	CHUTE, CUP, ANTI-THEFT	23752
49.	SCREW, 1/4-20 X 3/8, PH, SD, S-TP, PL	26572
50.	HARNES ASM, CUP DISPENSER	33586

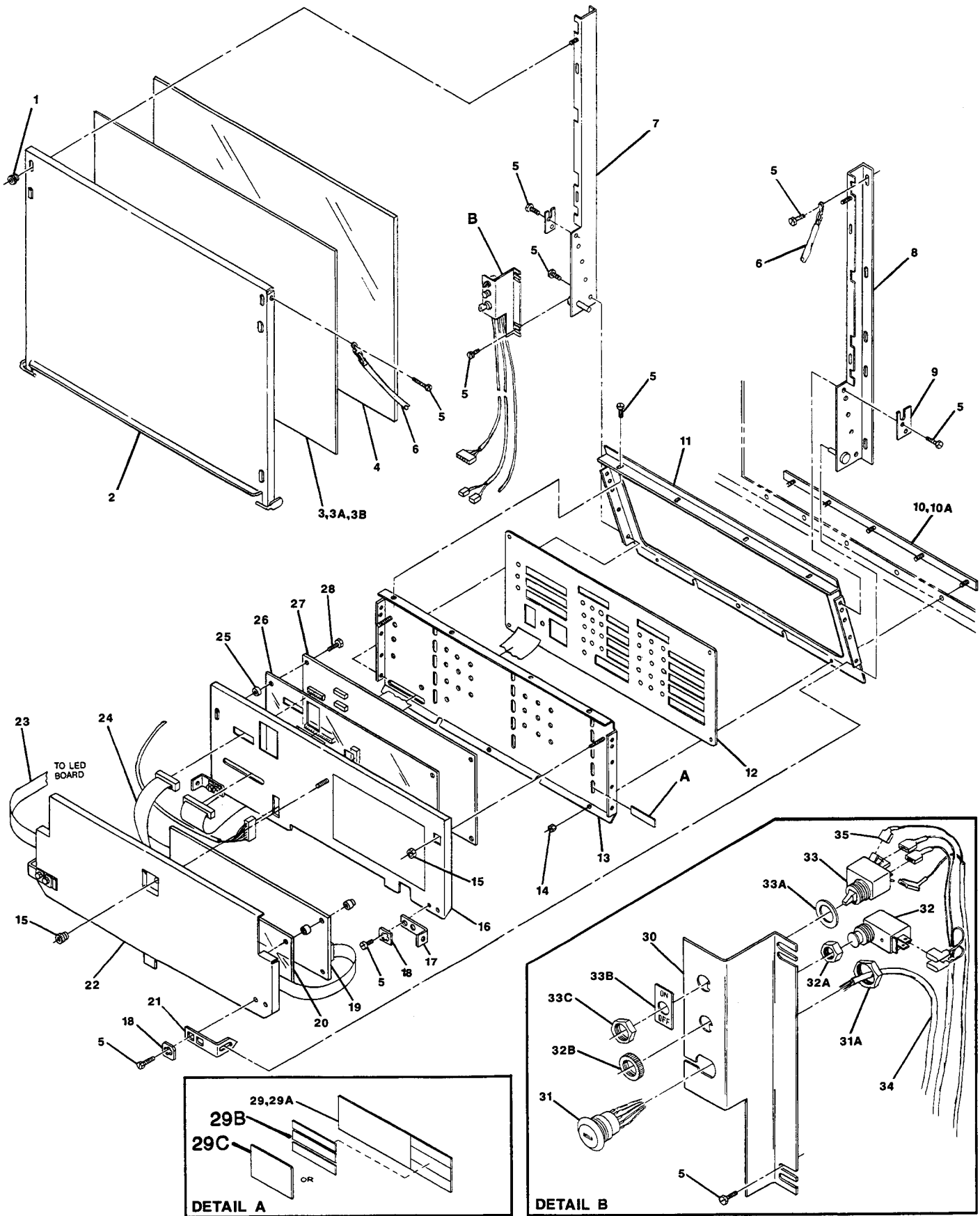


CUP SENSOR OPTION

1.	CONTROL BOARD ASM	35198
2.	CONTROL BOARD ONLY	34859
3.	STANDOFF, PC BOARD, 3/8"	32353-1
4.	SENSOR HARNESS ASM	35059
5.	INTERCONNECT HARNESS	35060
6.	LH SENSOR BRACKET ASM	35100
7.	RH SENSOR BRACKET ASM	35100-1
8.	CLEAR LENS	380268
9.	LABEL	35227
10.	JUMPER PLUG	35228
11.	#8-32 X 3*8 HH SELF TAPPING SCREWS	14806
12.	#8-32 THUMB NUTS	05625



USE YOUR OWN CUP OR OURS
INSERT CUP BEFORE MAKING SELECTION

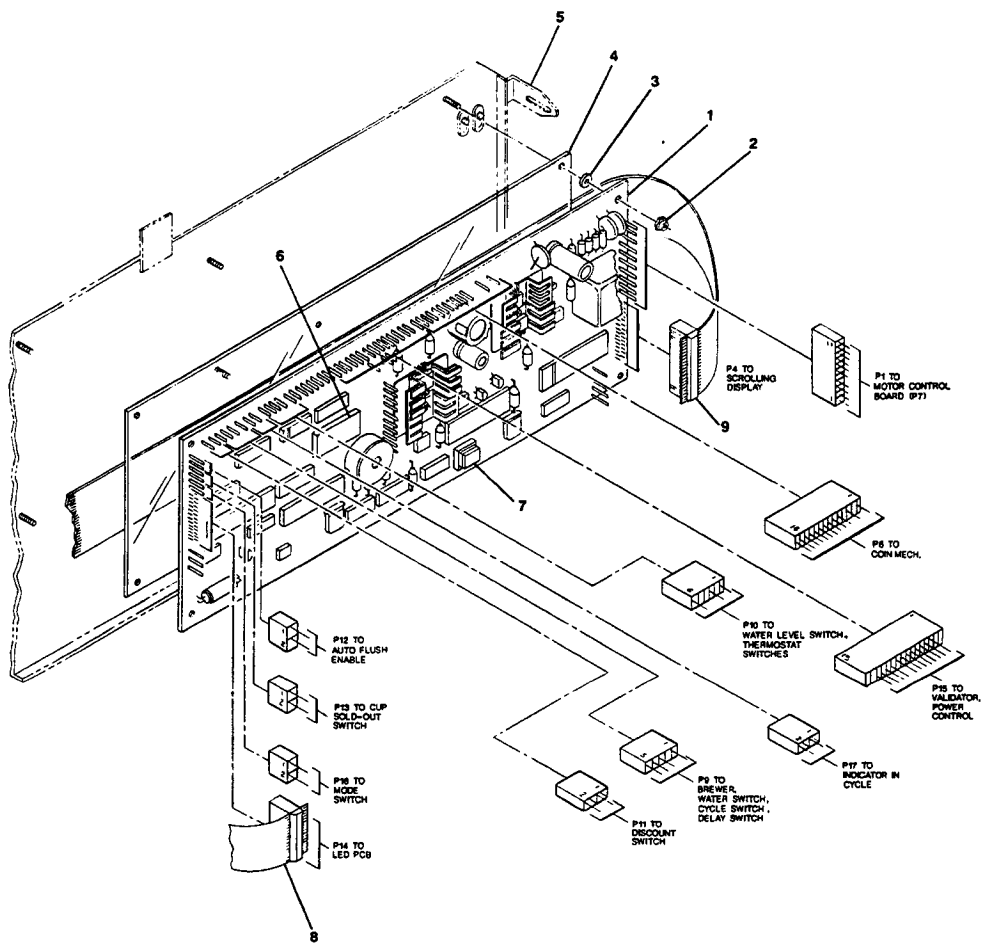


SHADOW BOX ASSEMBLY AND BOARDS

1.	NUT, 8-32, KNURLED, AL	05625
2.	PANEL ASM, SHADOW BOX BACK	32876
3.	ARTWORK, MUG & DONUT PICTURE W/LETTERING	33467
3A.	ARTWORK, MUG & DONUT PICTURE, NO LETTERING	33467-1
3B.	ARTWORK, "ENJOY 100% COLOMBIAN COFFEE"	31601-3
3C.	DECAL, POINT OF SALE "12 OZ DRINKS"(NOT SHOWN)	35254
3D.	DECAL, POINT OF SALE "FRESH BREWED TEA"(NOT SHOWN)	35255
4.	COVER, ARTWORK, ACRYLIC	31918
5.	SCREW, 8-32 X 3/8, HH, ZP, F, SD WA	14806
6.	CHAIN, RESTRAINT, SHADOW BOX	33752
7.	JAMB ASM, SHADOW BOX, RHD	32875
8.	JAMB ASM, SHADOW BOX, LHD	32874
9.	PLATE, HINGE PIN, SHADOW BOX	31919
10.	TRIM, LOWER, SELECTOR PANEL (ALL STYLES EXCEPT STERLING)	33634
10A.	TRIM, LOWER, SELECTOR PANEL (STERLING STYLE)	33634-1
11.	TRIM ASM, SELECTOR PANEL	32300
12.	MEMBRANE, SELECTOR SWITCH	32849
13.	PANEL, SELECTOR SWITCH MOUNTING	32297
14.	NUT, 6-32 KEP, LK WA, PL	11745
15.	NUT, 6-32 KNURLED, THUMB	04862
16.	PANEL ASM, LED BOARD MOUNTING	32291
17.	BRACKET, HINGE, LED PANEL	32539
18.	WASHER, LOCK #10, INTERNAL STAR, SQUARE	33978
19.	BOARD, CONTROL, MARS	31800
20.	PLATE, INSULATION, CONTROL BOARD	32296
21.	BRACKET, PANEL, CONTROL BOARD	32545
22.	PANEL ASM, CONTROL BOARD	32295
23.	CABLE ASM, RIBBON, CONTROL-DISPLAY	32918
24.	CABLE ASM, RIBBON, CONTROL-LED	32919
25.	WASHER, NYLOMATIC N6324	19152
26.	PLATE, INSULATING, LED BOARD	32296-1
27.	BOARD, LED MEMBRANE SWITCH PANEL	32241
28.	NUT, 8-32 STOP, PL	21042
29.	LABELS, SELECTION (COMPLETE SET)	32836
29A.	LABELS, SELECTION (SPECIAL FOR GFIC ONLY)	34399
29B.	LABELS, SET, MULTI-PRICE (20¢ TO 75¢)	32838
29C.	LABELS, SET, SINGLE PRICE (25¢ TO 80¢)	32839
30.	BRACKET, SWITCH, MODE/DISCOUNT/SECURITY	32524
31.	SWITCH, KEY, SECURITY (PART OF ITEM 34)	32307
32.	SWITCH, MODE, PUSH-BUTTON (PART OF ITEM 35)	14572
32A.	NUT, SWITCH (PART OF ITEM 32-NOT SOLD SEPARATELY)	
32B.	RING, SWITCH (PART OF ITEM 32-NOT SOLD SEPARATELY)	
33.	SWITCH, DISCOUNT, TOGGLE (PART OF ITEM 35)	17760
33A.	RING, SWITCH (PART OF ITEM 33-NOT SOLD SEPARATELY)	
33B.	PLATE, SWITCH, ON-OFF	27745
33C.	NUT, SWITCH (PART OF ITEM 33-NOT SOLD SEPARATELY)	
34.	SWITCH ASM, KEY, SECURITY	33126
35.	HARNES ASM, MODE/DISCOUNT	33127

LOGIC BOARD

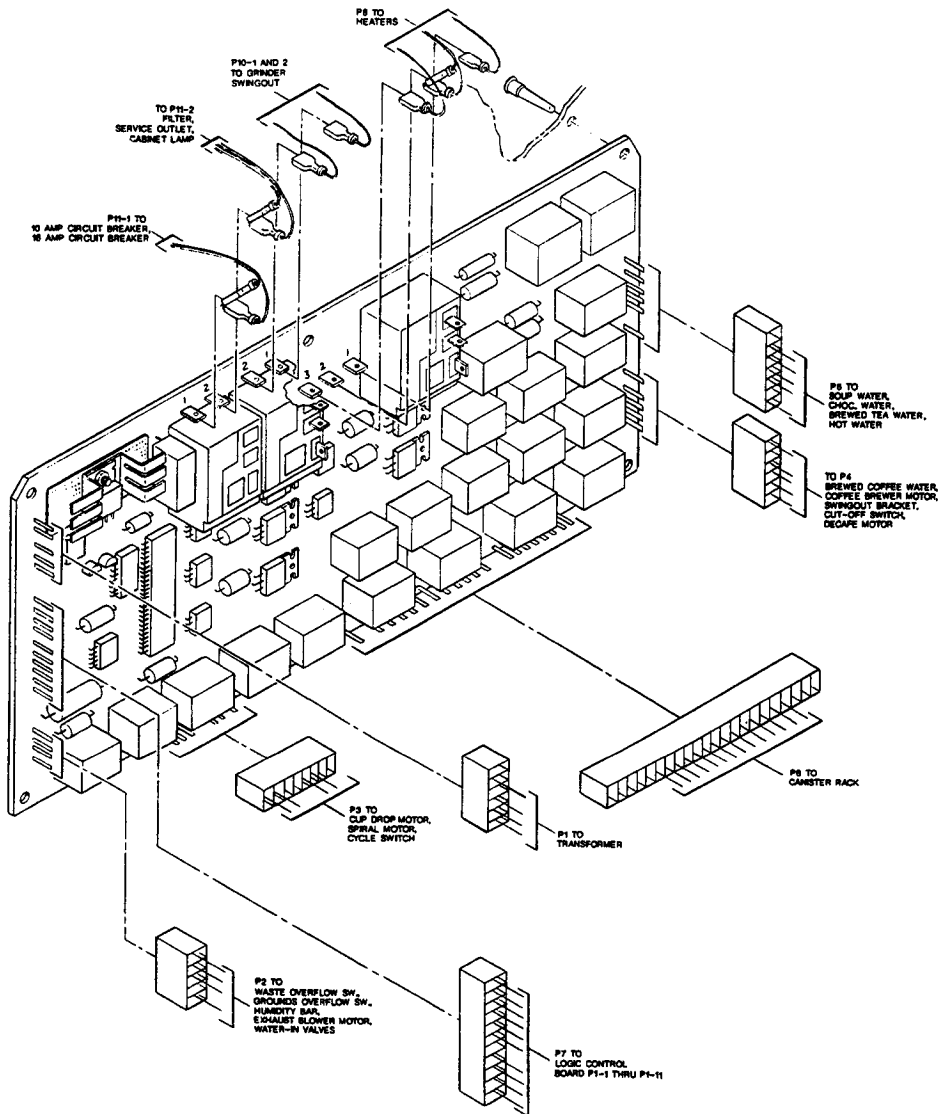
<table border="0" style="width: 100%;"> <tr> <td style="width: 80%;">1. BOARD, CONTROL, MARS</td> <td style="text-align: right;">31800</td> </tr> <tr> <td>2. NUT, 6-32 LOCK, NYLON INSERT</td> <td style="text-align: right;">19927</td> </tr> <tr> <td>3. WASHER, NYLOMATIC, N6324</td> <td style="text-align: right;">19152</td> </tr> <tr> <td>4. PLATE, INSULATION, CONTROL BOARD</td> <td style="text-align: right;">32296</td> </tr> <tr> <td>5. PANEL ASM, CONTROL BOARD</td> <td style="text-align: right;">32295</td> </tr> </table>	1. BOARD, CONTROL, MARS	31800	2. NUT, 6-32 LOCK, NYLON INSERT	19927	3. WASHER, NYLOMATIC, N6324	19152	4. PLATE, INSULATION, CONTROL BOARD	32296	5. PANEL ASM, CONTROL BOARD	32295	<table border="0" style="width: 100%;"> <tr> <td style="width: 80%;">6. CHIP, EPROM, 27C256 (PART OF ITEM 1)</td> <td style="text-align: right;">33642</td> </tr> <tr> <td>7. CHIP, EEROM, X2404 (PART OF ITEM 1)</td> <td style="text-align: right;">33643</td> </tr> <tr> <td>8. CABLE ASM, RIBBON, CONTROL BOARD - LED BOARD ...</td> <td style="text-align: right;">32919</td> </tr> <tr> <td>9. CABLE ASM, RIBBON, CONTROL BOARD - DISPLAY BOARD</td> <td style="text-align: right;">32918</td> </tr> </table>	6. CHIP, EPROM, 27C256 (PART OF ITEM 1)	33642	7. CHIP, EEROM, X2404 (PART OF ITEM 1)	33643	8. CABLE ASM, RIBBON, CONTROL BOARD - LED BOARD ...	32919	9. CABLE ASM, RIBBON, CONTROL BOARD - DISPLAY BOARD	32918
1. BOARD, CONTROL, MARS	31800																		
2. NUT, 6-32 LOCK, NYLON INSERT	19927																		
3. WASHER, NYLOMATIC, N6324	19152																		
4. PLATE, INSULATION, CONTROL BOARD	32296																		
5. PANEL ASM, CONTROL BOARD	32295																		
6. CHIP, EPROM, 27C256 (PART OF ITEM 1)	33642																		
7. CHIP, EEROM, X2404 (PART OF ITEM 1)	33643																		
8. CABLE ASM, RIBBON, CONTROL BOARD - LED BOARD ...	32919																		
9. CABLE ASM, RIBBON, CONTROL BOARD - DISPLAY BOARD	32918																		

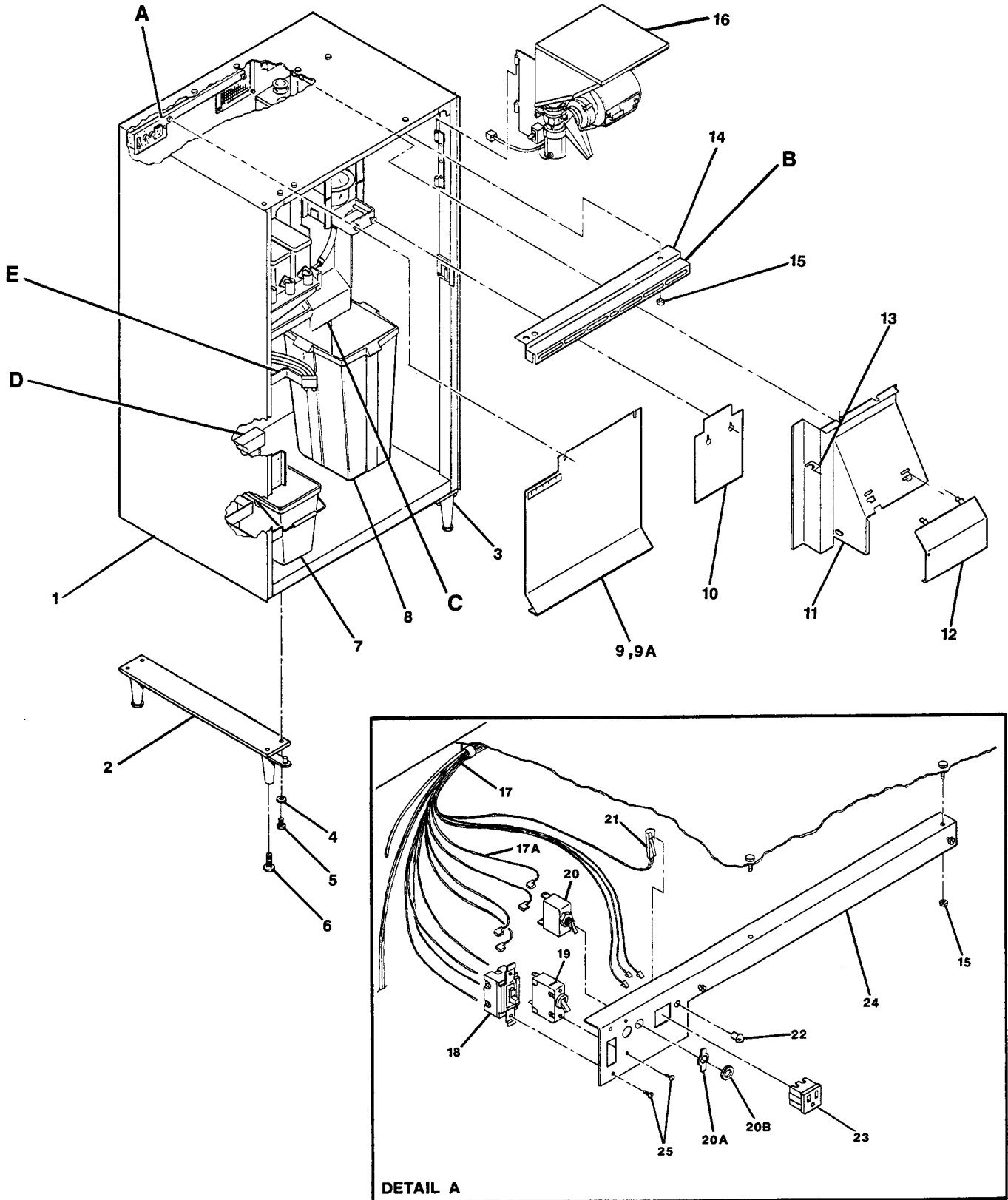


MOTOR CONTROL BOARD CONNECTIONS

THIS DRAWING IS PROVIDED TO LOCATE THE VARIOUS CONNECTORS ON THE MOTOR CONTROL BOARD-PART NUMBER 31802

1. MOTOR CONTROL BOARD 31802
2. STANDOFF, PC BOARD, 1/2" 32353

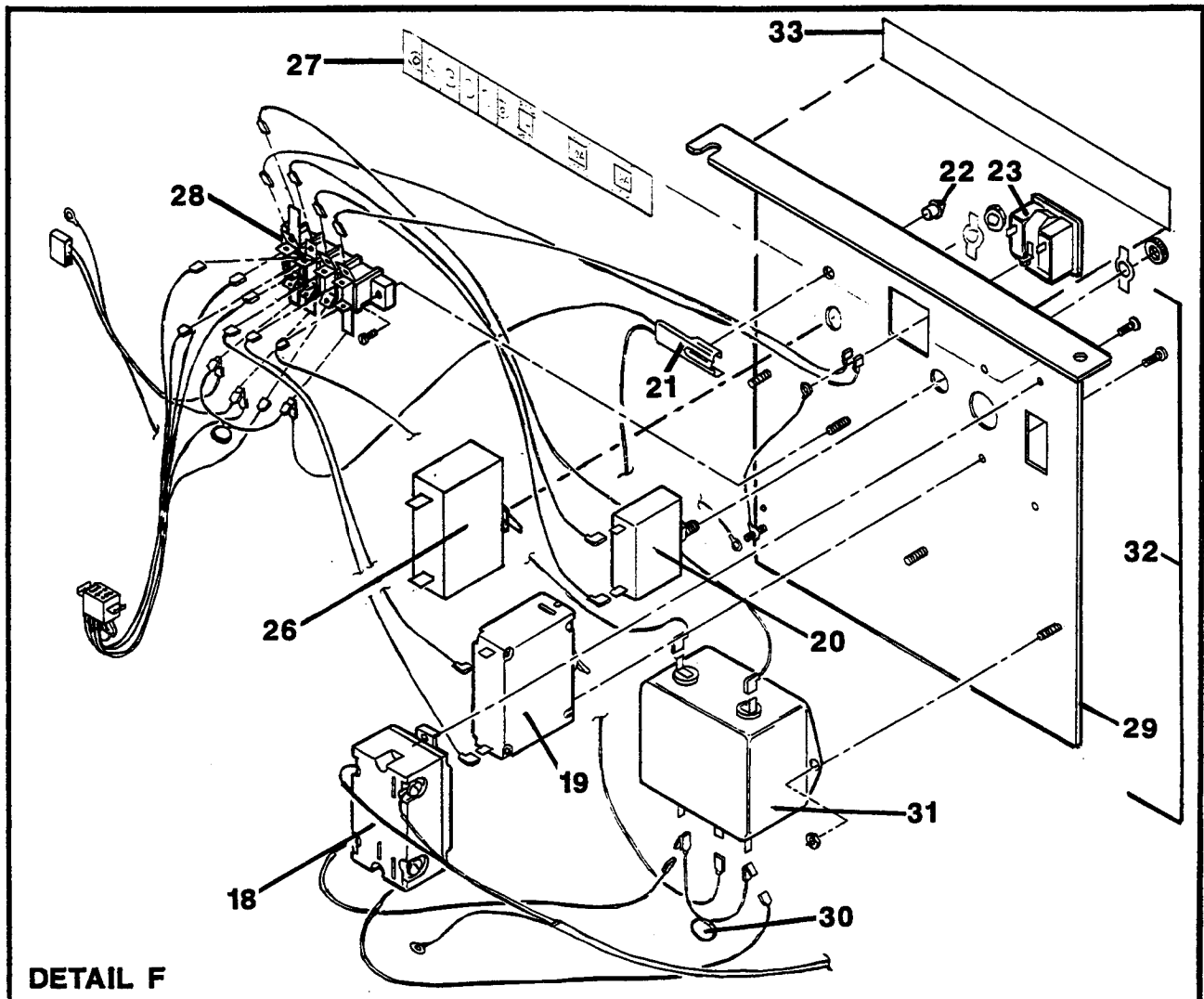


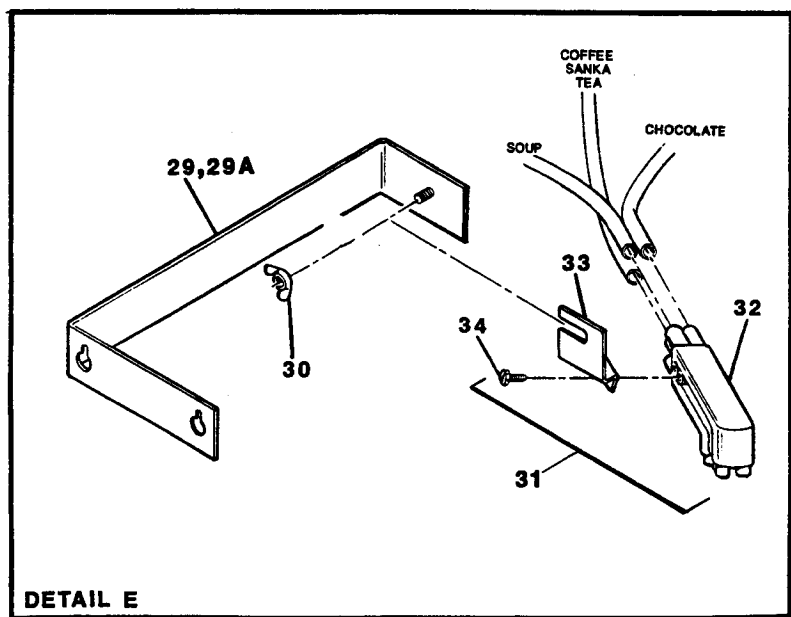
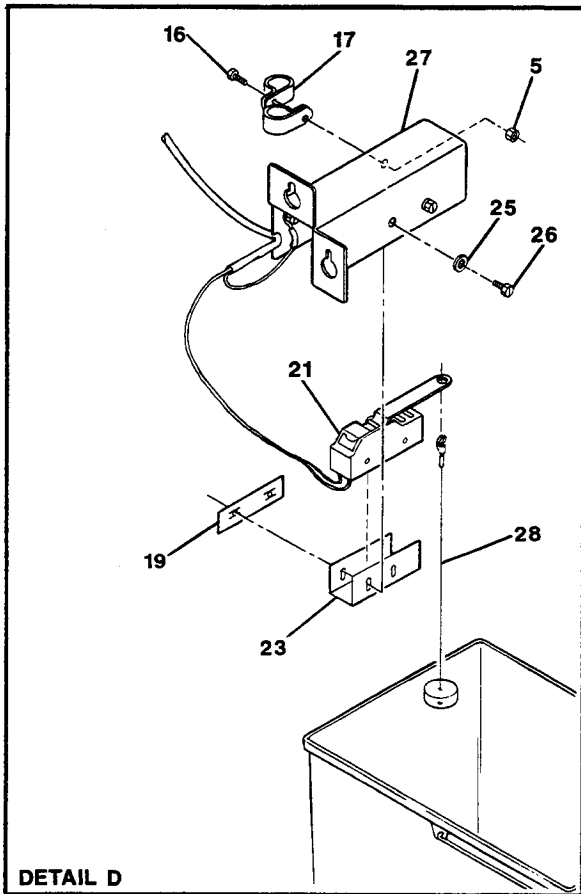
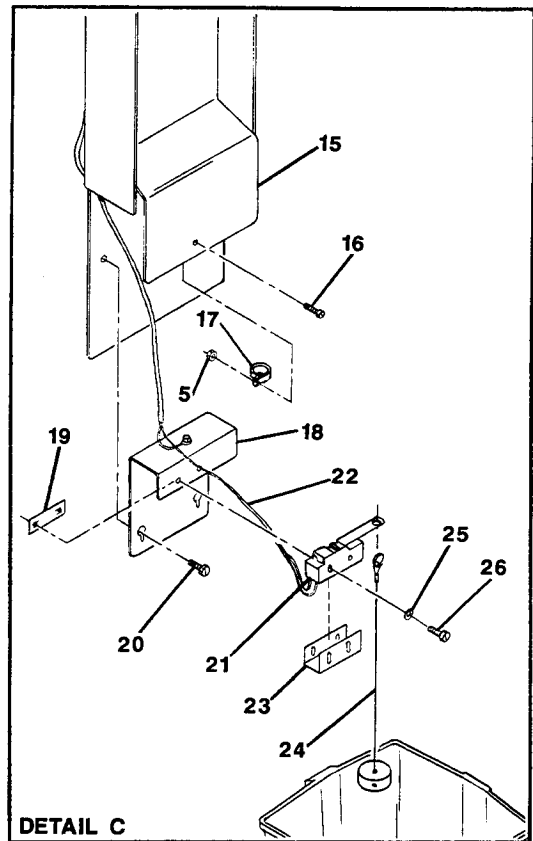
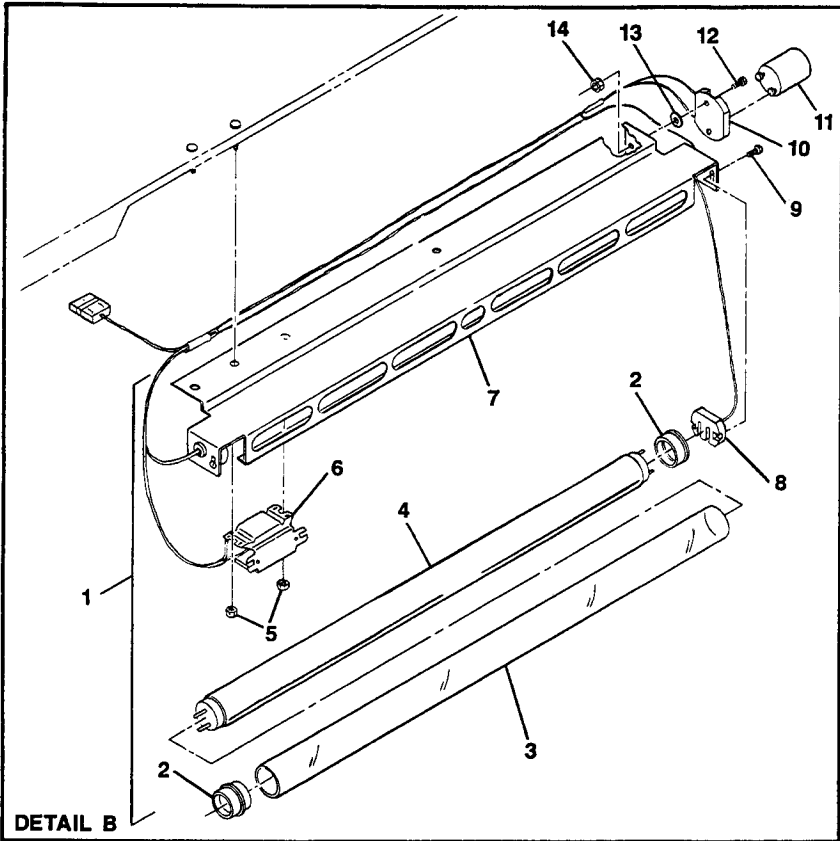


CABINET AND MISCELLANEOUS ITEMS INSIDE

<ul style="list-style-type: none"> 1. CABINET ASSEMBLY, WELDED 29628 2. LEG ASM, LHD, W/HINGE & HARDWARE- INCLUDES ITEMS 4-6 29636 3. LEG ASM, RHD, W/HARDWARE (INCLUDES ITEMS 4-6) ... 29635 4. WASHER, LOCK, 3/8 SPLIT 05979 5. BOLT, LEG, 3/8-16 X 7/8 07444 6. BOLT, LEG LEVELER 300103 7. BUCKET, OVERFLOW, WASTE, BROWN 31440 8. BUCKET, OVERFLOW, GROUNDS, BROWN 30684 9. COVER, CANISTER RACK (NO FRESH-BREW TEA) 33624 9A. COVER, CANISTER RACK (WITH FRESH-BREW TEA) 32438 9B. COVER, CANISTER RACK (NO FRESH-BREW TEA) 35047 * 9C. COVER, CANISTER RACK (WITH FRESH-BREW TEA) 35048 * 10. GUARD, SPLASH, BREWER 30840 11. COVER ASM, BREWER 30782 12. EXTENSION, BREWER COVER-MODELS 203 G & DG ONLY 34635 13. HANGER, RINSE HOSE 27853 14. LAMP ASM, FLUORESCENT (SEE MANUAL PAGE 8.02) 15. NUT, 8-32 KEP, EXT LK WA 11749 16. GRINDER & SWING-OUT BRACKET ASM (SEE MANUAL SECTION 9) 	<ul style="list-style-type: none"> 17. HARNESS ASM, MAIN 33746 18. SWITCH, DSPT, 30A., STYLE 3002 29991 19. BREAKER, CIRCUIT, 16 AMP 32225 20. BREAKER, CIRCUIT, 10 AMP 20156 20A. PLATE, ON-OFF (PART OF ITEM 20-NOT SOLD SEPARATELY) 20B. RING (PART OF ITEM 20-NOT SOLD SEPARATELY) 21. LAMP, INDICATOR, RED 27956 22. LENS, RED 27934 23. RECEPTACLE, 15A., 115V., "U" GROUND 34167 24. BRACKET ASM, SWITCH & BREAKERS 32895 * 25. SCREW, 6-32 X 1/4, RH, M, PL 09015 26. BREAKER, CIRCUIT 3 AMP 20156-1 * 27. DECAL, SWITCH PANEL 35063 * 28. STRIP, TERMINAL 4 POSITION 34787 * 29. BRACKET, SWITCH 35049 * 30. MOV ASM 30462 * 31. FILTER EMI 29003 * 32. BRACKET ASM (INCLUDES BREAKERS & SWITCHES) ... 35076 * 33. DECAL, SERVICE SWITCHES 35177 *
--	--

* ITEMS 9B,9C,24 & 26-33 ARE ONLY USED WITH ITEMS SHOWN IN DETAIL F



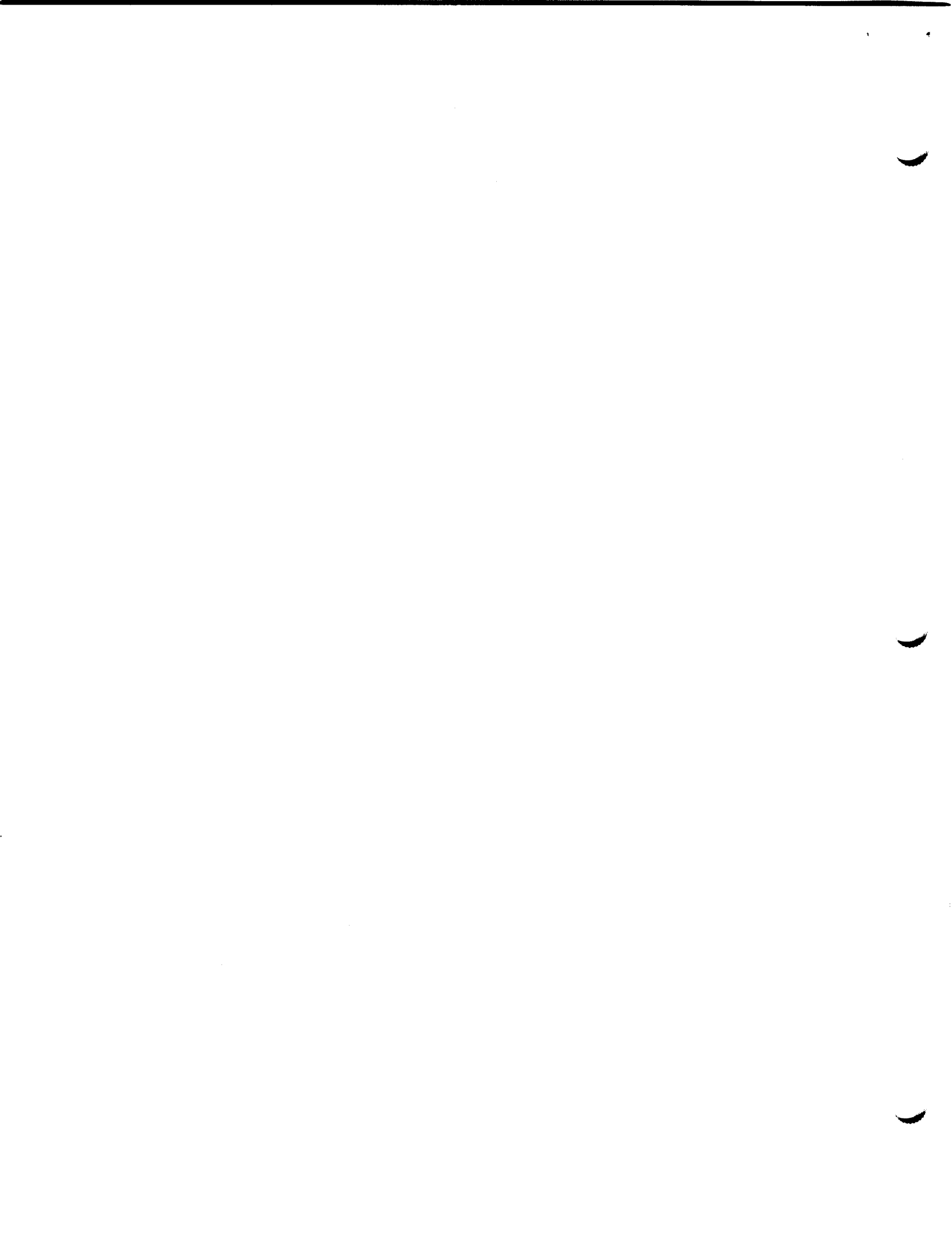


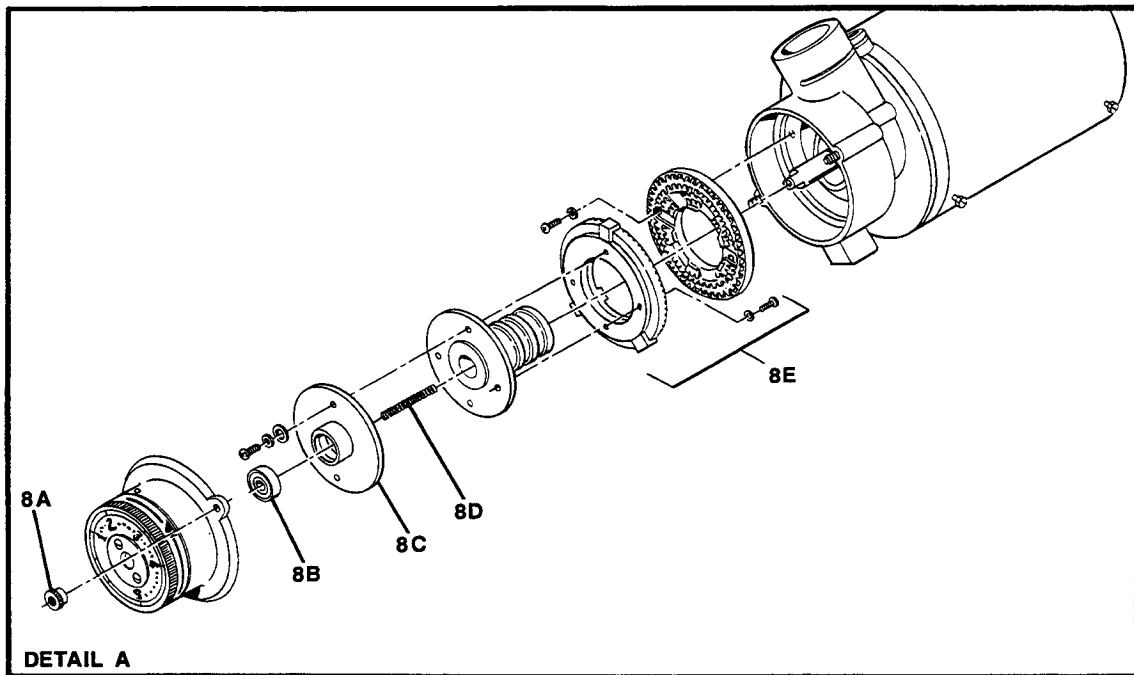
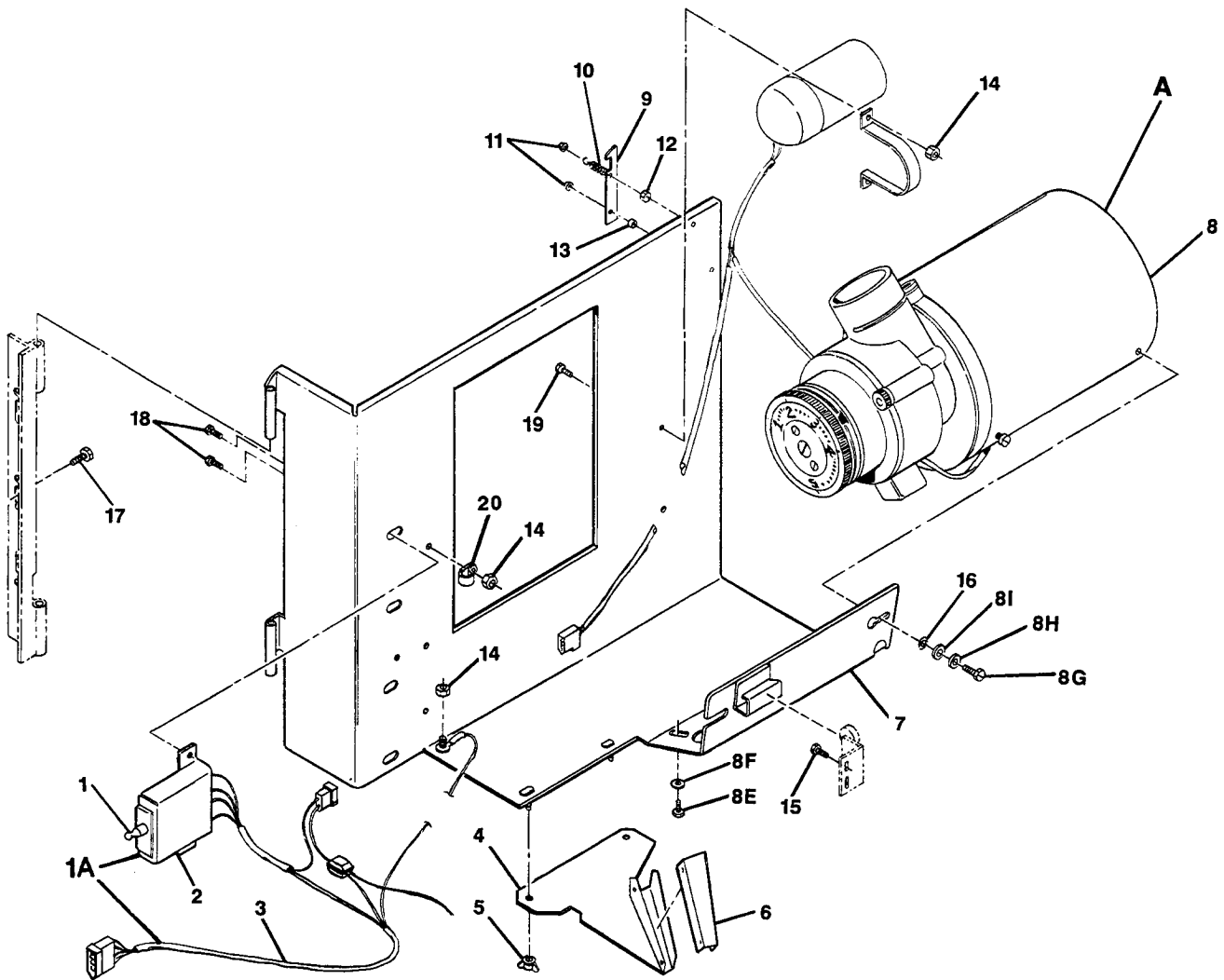
MISCELLANEOUS ITEMS INSIDE CABINET

1.	LAMP ASM, FLUORESCENT (INCLUDES ITEMS 2-14)	33651
2.	CAP, END, FLUORESCENT LAMP	30777
3.	SHIELD, FLUORESCENT TUBE	30772
4.	LAMP, FLUORESCENT BULB, F18T8, CW/30	19020
5.	NUT, 8-32 KEP, EXT LK WA, PL	11749
6.	BALLAST, 25W.	21956
7.	BRACKET ASM, FLUORESCENT LAMP	30636
8.	SOCKET, FLUORESCENT LAMP	00935
9.	SCREW, 4-36 X 7/16, RH, PL	24538
10.	SOCKET, STARTER	00944
11.	STARTER, FS-25, W/CONDENSER	29915
12.	SCREW, 4-40 X 1/2, RH, SD, M	22730
13.	WASHER, FLAT, .150 OD X 5/16 THK, NYLON	19510
14.	NUT, 4-40, KEP	22849
15.	GUARD ASM, GROUNDS BUCKET	30856
16.	SCREW, 8-32 X 1/2, PH, M, PL	11073
17.	CLAMP, 'P', 1", PLASTIC	17784
18.	BRACKET, OVERFLOW SWITCH, GROUNDS BUCKET	30835
19.	NUT, 6-32, TWIN-SPEED	01179
20.	SCREW, 8-32 X 3/8, HH, ZP, F, SD WA	14806
21.	SWITCH, FLOAT	19509
22.	HARNES ASM, GROUNDS OVERFLOW SWITCH (INCLUDES ITEM 21)	33504
23.	COVER, INSULATION	00784
24.	FLOAT ASM, BROWN, W/10" LEAD	34106-1
25.	WASHER, FLAT #6, PL, SMALL	03562
26.	SCREW, 6-32 X 1, RH, PL	00050
27.	BRACKET, OVERFLOW SWITCH	15573
28.	FLOAT ASM, BROWN, W/7" LEAD	34106
29.	BRACKET ASM, COMMODITY TUBE	30317
30.	NUT, 1/4-20, WING	22836
31.	SPOUT ASM, COMMODITY - 5 SPOUT	34834
32.	SPOUT, COMMODITY MOLDED	33788
33.	BRACKET, COM SPOUT	34828
34.	SCREW, 6-32X3/8,HH PHL	29942

FOR 12 OZ. BREWER ONLY

29A.	BRACKET ASM, COMMODITY TUBE 12 OZ ONLY	35056
------	--	-------





DETAIL A

GRINDER AND SWING-OUT BRACKET ASSEMBLY 203G (SINGLE GRINDER UNITS)

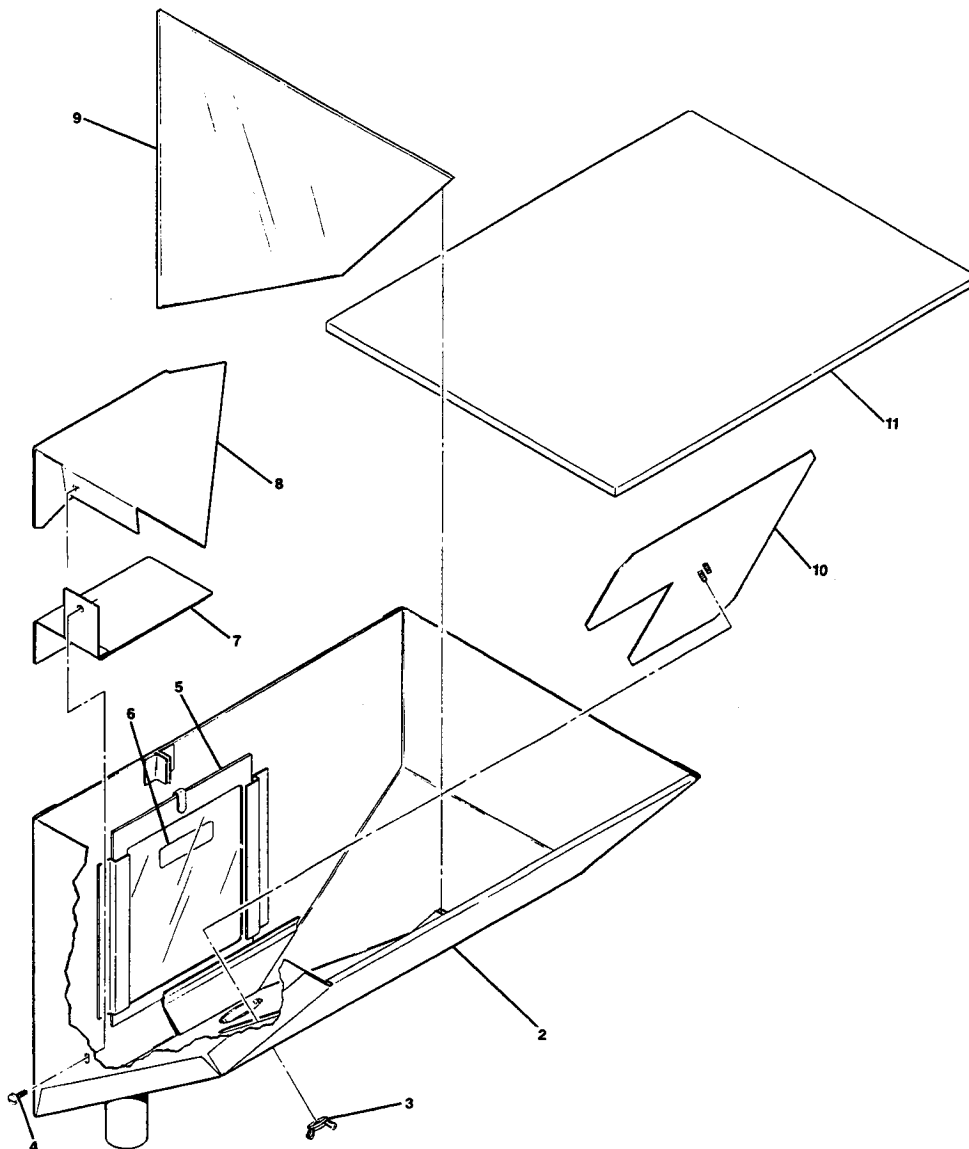
1.	SWITCH, CHERRY, E75-30A, CHEAT	33475
1A	INTERLOCK SWITCH, BOX & HARNESS	33714
2.	BRACKET, SWITCH, GRINDER HARNESS	32844
3.	HARNESS ASM, SWING-OUT, 203G	33132
4.	CHUTE ASM, COFFEE	33096
5.	NUT, 8-32 WING, ZINC WA BASE	06888
6.	COVER, COFFEE CHUTE	33071
7.	BRACKET ASM, SWING-OUT, WELDED	32611
8.	MOTOR ASM, GRINDER, WIRED	32846
8A.	SCREW, THUMB, GRINDER	31475
8B.	BEARING, GRINDER	31473
8C.	COUPLING, GRINDER	31188
8D.	SPRING, GRINDER	31474
8E.	CUTTER, ROTARY & STATIONARY (SOLD AS A SET ONLY)	31187
8F.	DIAL & COVER, GRINDER ADJUSTING	34916
NOTE: ONLY GRINDER INTERNAL COMPONENTS NUMBERED ABOVE ARE AVAILABLE AS SPARE PARTS.		
8F.-8I.	HARDWARE, GRINDER (PART OF ITEM 8-NOT SOLD SEPARATELY)	
9.	LATCH, SWING-OUT BRACKET	16689
10.	SPRING	14435
11.	NUT, 6-32 LOCK, NYLON INSERT	19927
12.	NUT, 6-32 HEX, BRASS	00046
13.	SPACER, NYLON	14132
14.	NUT, 8-32 KEP, EXT LK WA, PL	11749
15.	SCREW, 8-32 X 3/8, HH, ZP, F, SD WA	14806
16.	WASHER, LOCK #8, EXTRN STAR	28291
17.	SCREW, 1/4-20 X 1/2, HH, WA, M, PL	17415
18.	SCREW, 8-32 X 3/8, PH	14491
19.	SCREW, 8-32 X 5/8, PH, PL	16335
20.	CLAMP, 'P', 5/8-6B, PLASTIC	17589

FOR 12 OZ BREWER ONLY (NOT SHOWN)

4A.	CHUTE ASM, COFFEE 12 OZ	35217
6A.	COVER, COFFEE CHUTE 12 OZ	35096

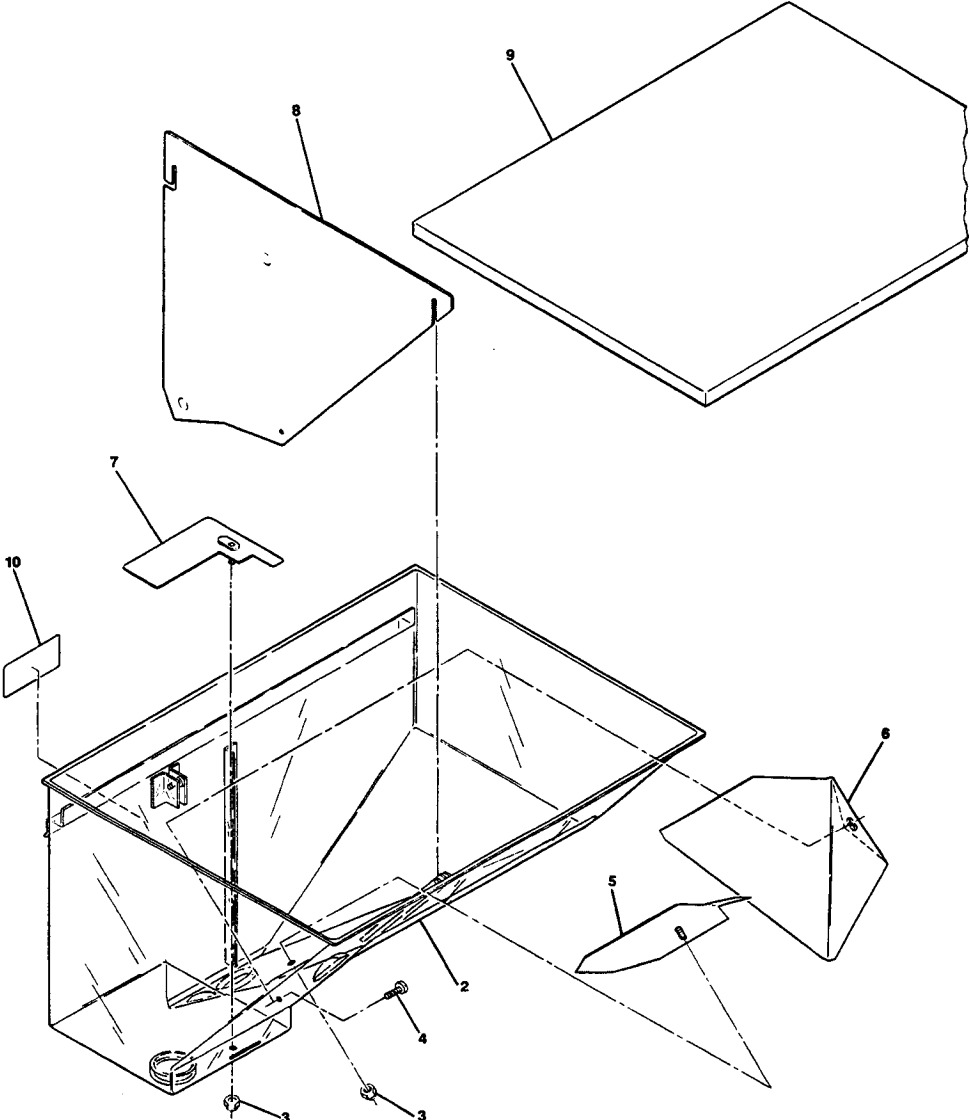
CANISTER ASSEMBLIES, COFFEE BEANS:203G & DG FOR UNITS WITH STAINLESS STEEL BEAN HOPPERS

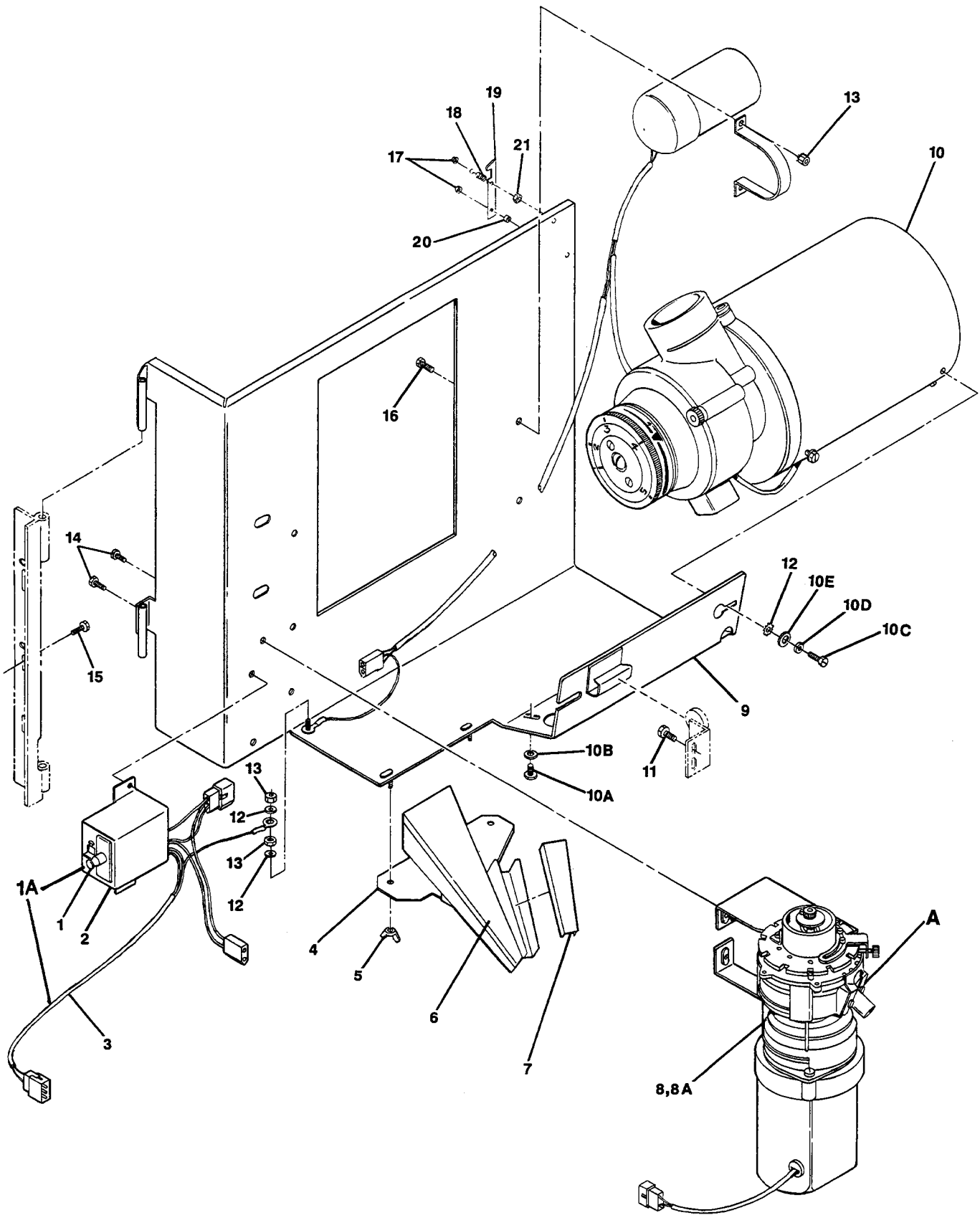
<p>1. CANISTER ASM, COF BEAN COMPLETE, 203G (INCLUDES ITEMS 2-5, 8, 10-11) 33195</p> <p>1A. CANISTER ASM, COF BEAN COMPLETE, 203DG (INCLUDES ITEMS 2-7, 9-11) 33241</p> <p>2. CANISTER ASM, COF BEAN WELDED 32199</p> <p>3. NUT, 8-32 WING, ZINC WA BASE 06888</p> <p>4. SCREW, 6-32 X 3/8, PH, PL 12503</p>	<p>5. WINDOW, COF BEAN HOPPER 32214</p> <p>6. DECAL, CANISTER, COFFEE/DECAF, DG 34259</p> <p>7. INSERT ASM, BEAN HOPPER, DG 32208</p> <p>8. PLATE ASM, FILLER, BEAN HOPPER, G 33029</p> <p>9. PARTITION, COF BEAN HOPPER, DG 32213</p> <p>10. PLATE ASM, SHUTOFF, BEAN HOPPER 32212</p> <p>11. LID, GRINDER HOPPER, G/DG 33194-1</p>
--	--



CANISTER ASSEMBLIES, COFFEE BEANS: 203G & DG FOR UNITS WITH MOLDED PLASTIC BEAN HOPPER

<p>1. CANISTER ASM, COF BEAN, COMPLETE, 203G (INCLUDES ITEMS 2-7 & 9) 34215</p> <p>1A. CANISTER ASM, COF BEAN, COMPLETE, 203DG (INCLUDES ITEMS 2-5 & 7-10) 34216</p> <p>2. CANISTER, COFFEE BEAN, MOLDED 34101</p> <p>3. NUT, 8-32, NYLOK 21141</p> <p>4. SCREW, 8-32 X 3/8, PH, M, SS 09479</p>	<p>5. PLATE ASM ,SHUTOFF, REGULAR COFFEE 34499</p> <p>6. PLATE ASM, BAFFLE, BEAN CANISTER, G 34507</p> <p>7. PLATE ASM, SHUTOFF, DECAF 34498</p> <p>8. DIVIDER, MOLDED CANISTER, DG 34207</p> <p>9. LID, COFFEE BEAN CANISTER, MOLDED 34212</p> <p>10. DECAL, CANISTER, COFFEE, DG 34259</p>
--	--





GRINDERS AND SWING-OUT BRACKET ASSEMBLY 203DG (DUAL GRINDER UNITS)

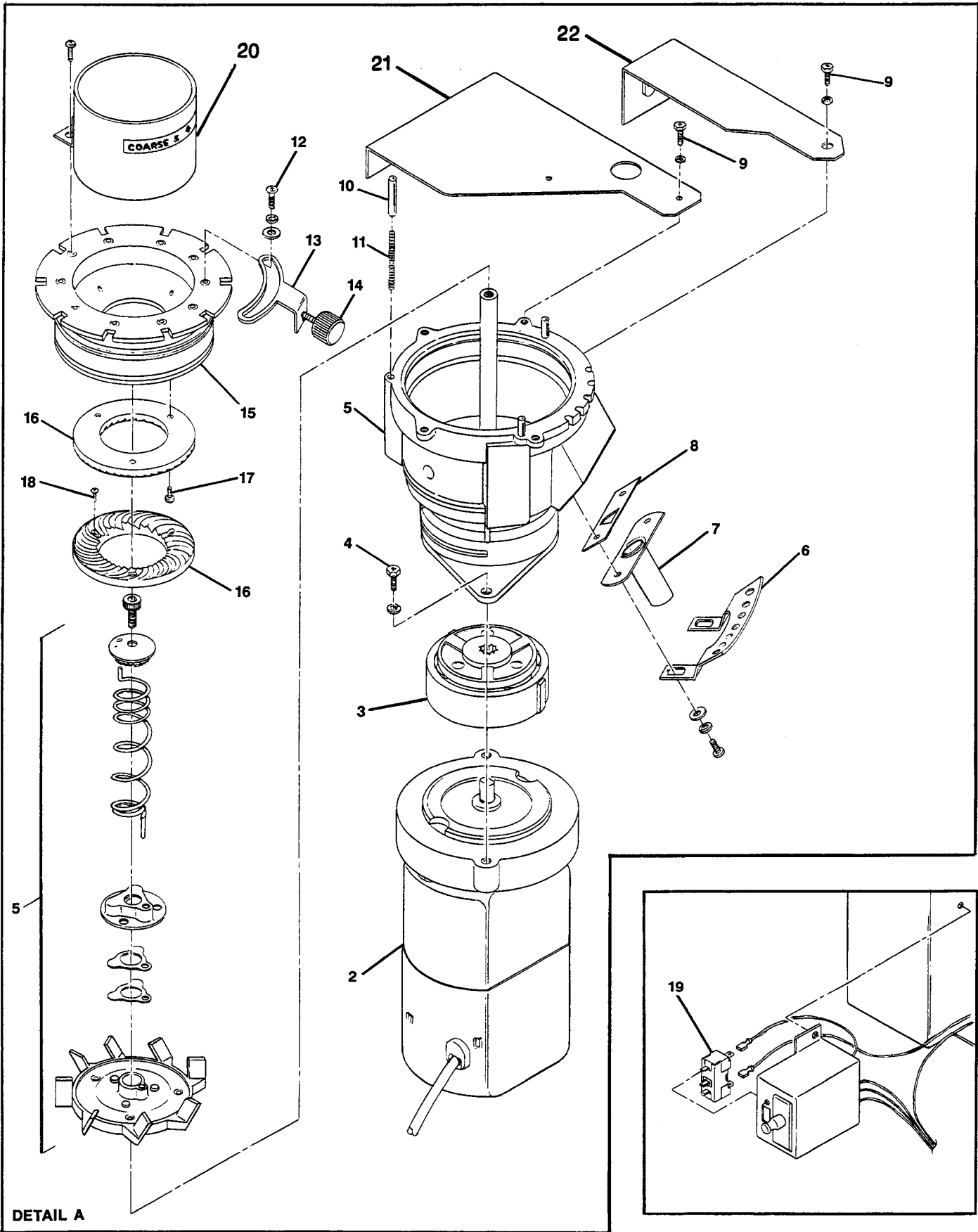
1.	SWITCH, CHERRY, E75-30A, CHEAT	33475
1A.	INTERLOCK SWITCH, BOX & HARNESS (DG)	33715
2.	BRACKET, SWITCH, SWING-OUT, DG	32610
3.	HARNESS ASM, SWING-OUT, 203DG	32832
4.	CHUTE ASM, COFFEE - DG	32906
5.	NUT, 8-32 WING, ZINC WA BASE	06888
6.	COVER, DECAF CHUTE	32904-1
7.	COVER, COFFEE CHUTE	33071
8.	GRINDER ASM, MINI, WIRED, WITH BRACKETS (FOR DECAFFEINATED COFFEE BEANS)	33717
8A.	MOTOR ASM, MINI-GRINDER ONLY, WIRED	33544
9.	BRACKET ASM, SWING-OUT, WELDED	32611
10.	MOTOR ASM, GRINDER, WIRED (FOR REGULAR COFFEE BEANS)	32846
10A-10E.	HARDWARE, GRINDER (PART OF ITEM 10-NOT SOLD SEPARATELY)	
11.	SCREW, 8-32 X 3/8, HH, ZP, F, SD WA	14806
12.	WASHER, LOCK #8, EXTRN STAR	28291
13.	NUT, 8-32 KEP, EXT LK WA, PL	11749
14.	SCREW, 8-32 X 3/8, PH	14491
15.	SCREW, 1/4-20 X 1/2, HH, WA, M, PL	17415
16.	SCREW, 8-32 X 5/8, PH, PL	16335
17.	NUT, 6-32 LOCK, NYLON INSERT	19927
18.	SPRING	14435
19.	LATCH, SWING-OUT BRACKET	16689
20.	SPACER, NYLON	14132
21.	NUT, 6-32 HEX, BRASS	00046

FOR DETAIL A - SEE PAGE 9.05

FOR 12 OZ BREWER ONLY

(NOT SHOWN)

4A.	CHUTE ASM, COFFEE - DG 12 OZ	35181
6A.	COVER, DECAF CHUTE 12 OZ	35102
7A.	COVER, COFFEE CHUTE 12 OZ	35096



GRINDER, COFFEE, MINI - 203DG

ITEM 1 IS THE COMPLETE MINI-GRINDER:
ONLY COMPONENTS SHOWN WITH RMI ITEM NUMBERS ARE STOCKED
BY RMI-OTHERS ARE NOT AVAILABLE AS SEPARATE SPARE PARTS.

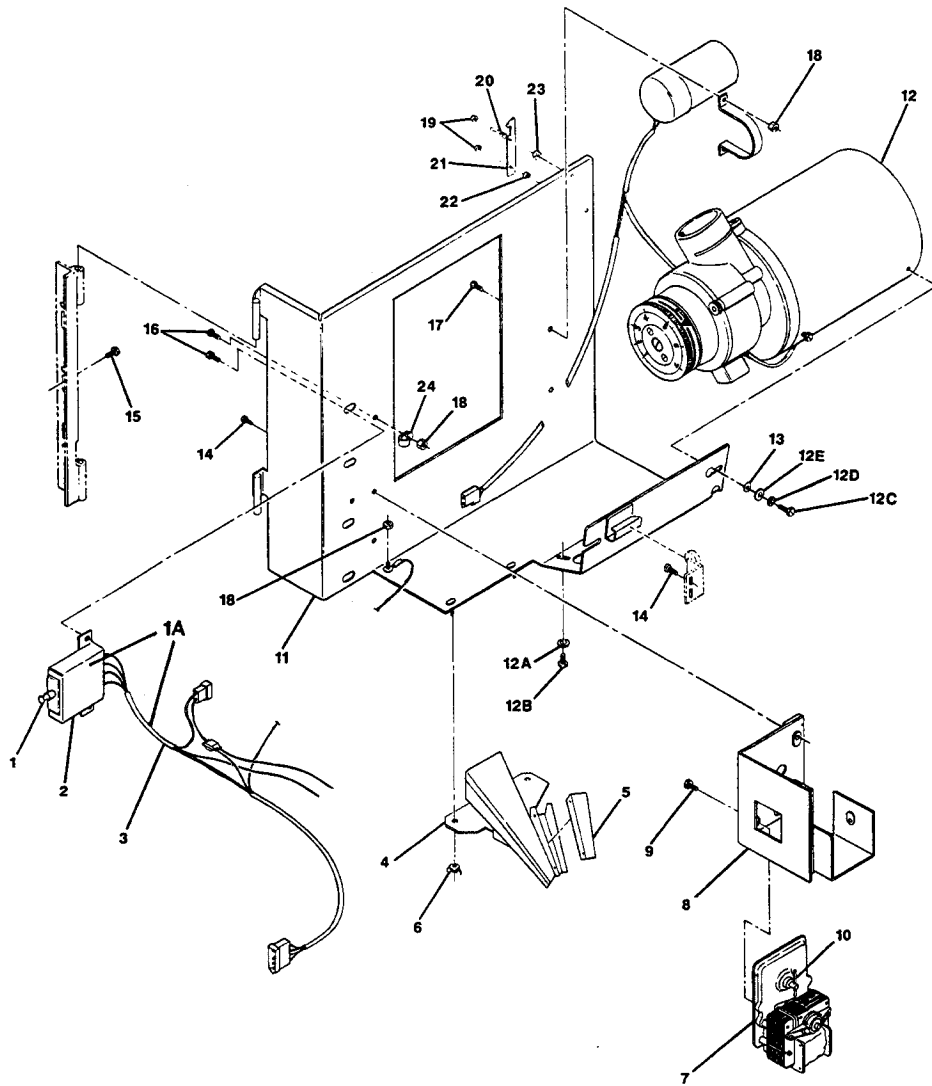
1. GRINDER, COFFEE, MINI, DG (SEE NOTE BELOW) 32183
2. MOTOR & FLANGE, MINI-GRINDER 32183-35
3. GEAR, REDUCING, MINI-GRINDER 32183-5
4. BOLT, MINI-GRINDER 32183-3
5. CASE ASM, CUTTER, MINI-GRINDER 32183-39
6. PLATE, LOCKING W/7 HOLES, MINI-GRINDER 32183-37
7. NOZZLE & GUIDE, MINI-GRINDER 32183-36
8. PLATE, NOZZLE, MINI-GRINDER 32183-33
9. BOLT, METRIC, 5X12, HH, PHIL, MINI-GRINDER 32183-34
10. LIFT PIN, MINI-GRINDER 32183-25
11. SPRING, LIFT, MINI-GRINDER 32183-26
12. BOLT, LOCKING, MINI-GRINDER 32183-28
13. LOCK DEVICE, MINI-GRINDER 32183-27
14. SCREW, LOCKING, MINI-GRINDER 32183-29
15. RING ASM, CUTTER BASE & SHIELD, MINI-GRINDER 32183-38
16. CUTTER, MINI-GRINDER 32183-14
17. BOLT, CUTTER, MINI-GRINDER 32183-16
18. BOLT, CUTTER, MINI-GRINDER 32183-15
19. BREAKER, CIRCUIT, MINI-GRINDER 32183-4
20. INLET CHUTE ADAPTOR 32859
21. BRACKET, MOUNTING, MINI-GRINDER, TOP 32609-1
22. BRACKET, MOUNTING, MINI-GRINDER, BOTTOM 32608-1

NOTE: ALL ITEMS EXCEPT ITEMS 4 & 9 ARE PART OF
ITEM 1. ITEMS 4 & 9 ARE ONLY SOLD INDIVIDUALLY
AS SPARE PARTS.

GRINDER AND SWING-OUT BRACKET ASSEMBLY 203GLG-SINGLE GRINDER FOR REGULAR COFFEE

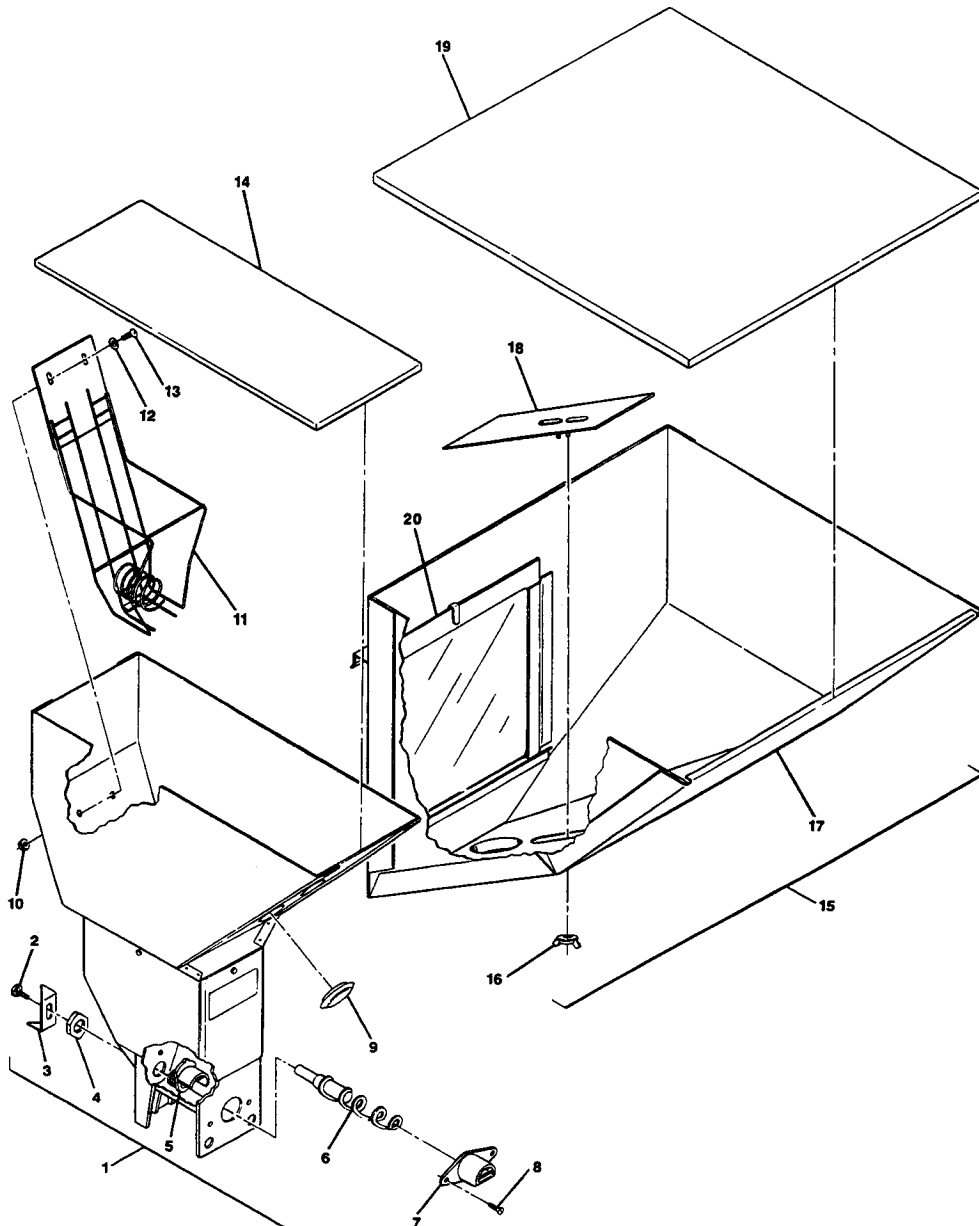
<ul style="list-style-type: none"> 1. SWITCH, CHERRY, E75-30A, CHEAT 33475 1A. INTERLOCK SWITCH, BOX & HARNESS (GLG) 33716 2. BRACKET, SWITCH, GRINDER HARNESS 32844 3. HARNESS ASM, SWING-OUT, 203GLG 32847 4. CHUTE ASM, COFFEE & DECAF, GLG 33365 5. COVER, COFFEE CHUTE 33071 6. NUT, 8-32 WING, ZINC WA BASE 06888 7. MOTOR ASM, AUGER, 170 RPM, DECAF 28960 8. BRACKET ASM, DECAF MOTOR, GLG 33369 9. SCREW, 8-32 X 1/4, PH (PART OF ITEM 7) 14487 10. PIN, ROLL, 1/8 X 1 1/2, SS (PART OF ITEM 7) 15628 11. BRACKET ASM, SWING-OUT, WELDED 32611 12. MOTOR ASM, GRINDER, WIRED 32846 	<ul style="list-style-type: none"> 12A-12E. HARDWARE, GRINDER (PART OF ITEM 12-NOT SOLD SEPARATELY) 13. WASHER, LOCK #8, EXTRN STAR 28291 14. SCREW, 8-32 X 3/8, HH, ZP, F, SD WA 14806 15. SCREW, 1/4-20 X 1/2, HH, WA, M, PL 17415 16. SCREW, 8-32 X 3/8, PH 14491 17. SCREW, 8-32 X 5/8, PH, PL 16335 18. NUT, 8-32 KEP, EXT LK WA, PL 11749 19. NUT, 6-32 LOCK, NYLON INSERT 19927 20. SPRING 14435 21. LATCH, SWING-OUT BRACKET 16689 22. SPACER, NYLON 14132 23. NUT, 6-32 HEX, BRASS 00046 24. CLAMP, 'P', 5/8-6B, PLASTIC 17589
--	--

NOTE: FOR BREAKDOWN OF INTERNAL PARTS FOR ITEM 12 SOLD BY RMI, SEE MANUAL PAGE 9.01



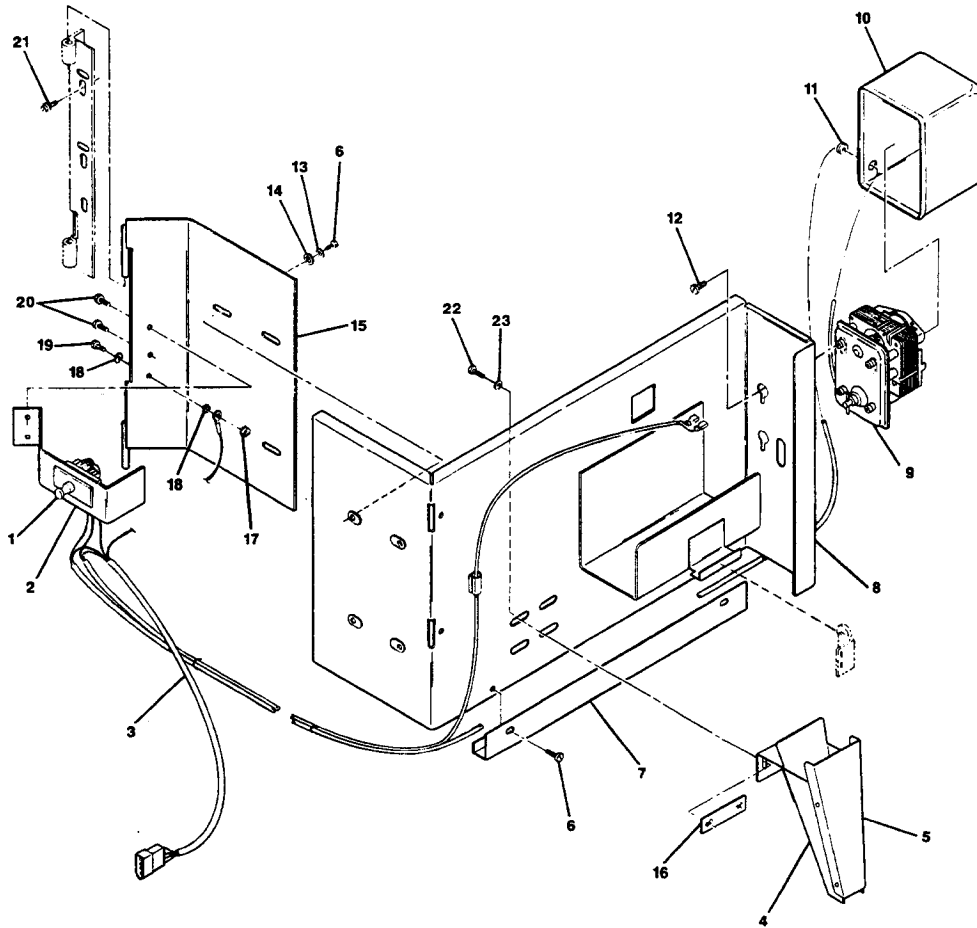
CANISTER ASSEMBLIES: 203GLG FOR REGULAR COFFEE BEANS AND DECAFFEINATED FRESH-BREW GROUND COFFEE

1. CANISTER ASM, DECAF W/LID, GLG (INCLUDES ITEMS 2-14)	33338	11. AGITATOR, DECAF CANISTER	28921
NOTE: CANISTER & EXTENSION SOLD ONLY AS PART OF ITEM 1.		12. WASHER, FLAT #6, PL	00826
2. SCREW, AUGER DRIVE	25970	13. SCREW, 6-32 X 5/16, TH, SD	22194
3. DRIVER, AUGER	25969	14. LID, CANISTER, DECAF	32767
4. NUT, 5/8-11, PAL	14190	15. CANISTER ASM, COFFEE BEAN, GLG (INCLUDES ITEMS 16-20)	33387
5. BEARING, REAR, DECAF	28864	16. NUT, 8-32 WING, ZINC WA BASE	06888
6. AUGER & SHAFT ASM, DECAF	28912	17. CANISTER ASM, COF BEAN, WELDED	33386
7. SPOUT, DECAF CANISTER	28863	18. GATE ASM, COF BEAN HOPPER	30799
8. SCREW, 6-32 X 3/8, FH, TP, PL	21492	19. LID, COF BEAN HOPPER, GLG	33194
9. PLUG, HOLE, POLY	17627	20. WINDOW, COF BEAN HOPPER	32214
10. NUT, 6-32 LOCK, NY INSERT	19927		



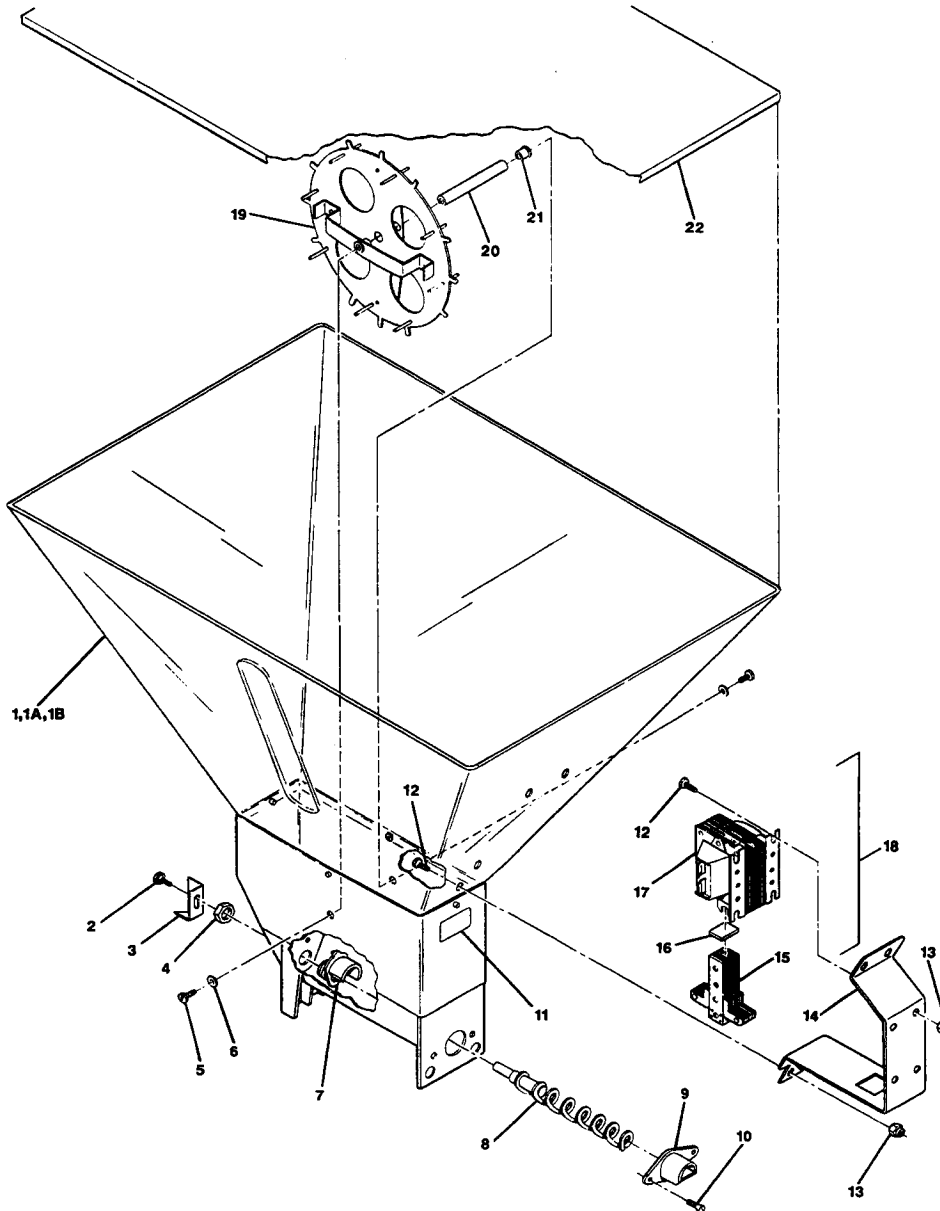
BRACKET ASSEMBLY, SWING-OUT 203LG (SINGLE COFFEE HOPPER UNITS)

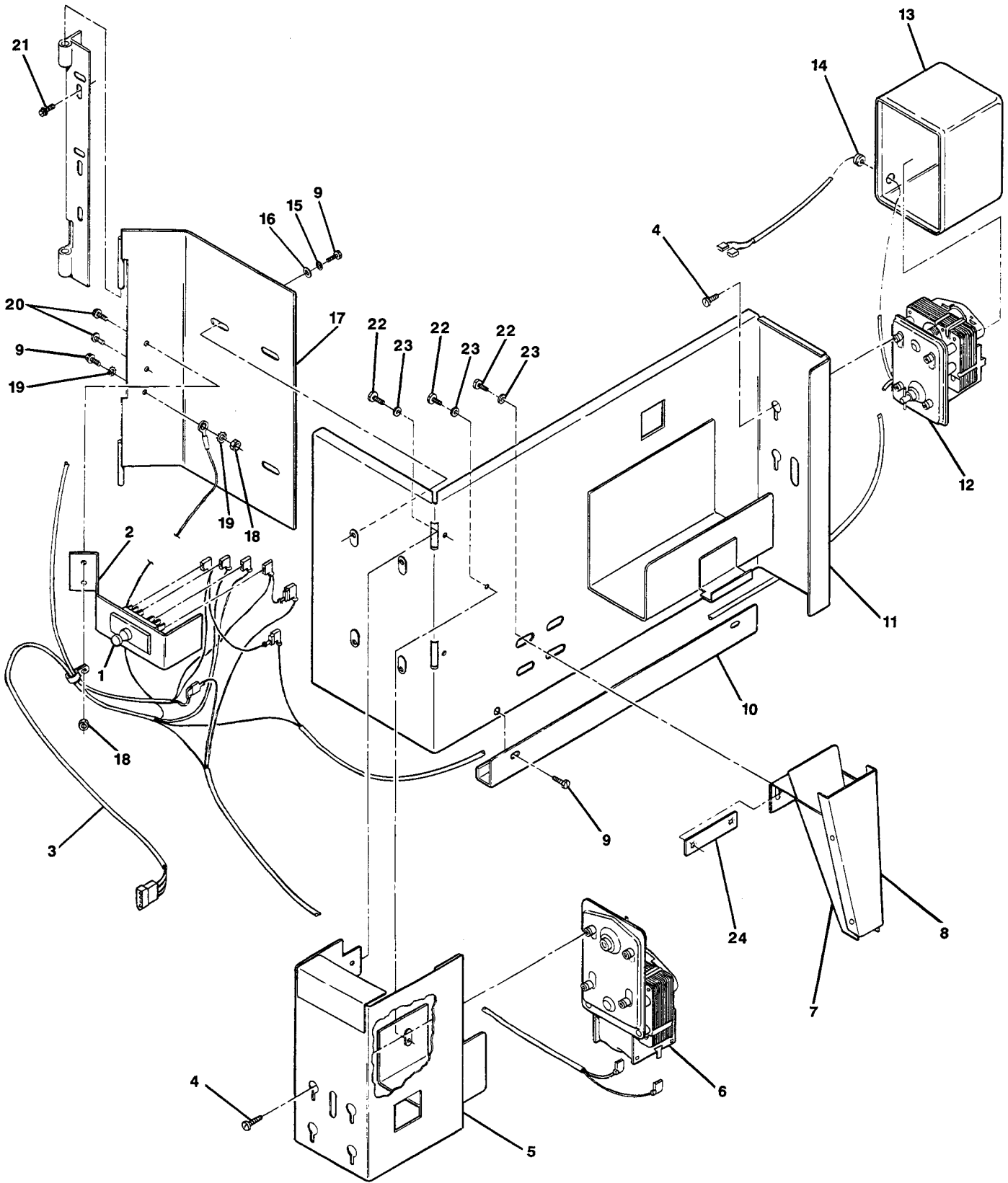
1. SWITCH, CHERRY E75-30A, CHEAT	33475	13. WASHER, LOCK #8, SPLIT, PL	00167
2. BRACKET, SWITCH, COFFEE HOPPER	30919	14. WASHER, FLAT, #12	28468
3. HARNESS ASM, SWING-OUT, 203LG	34004	15. PLATE ASM, HINGE, COFFEE HOPPER BRACKET	30918
4. CHUTE ASM, COFFEE, WELDED	33933	16. NUT, 6-32 WELD, TP1116	17692
5. COVER, COFFEE CHUTE	33934	17. NUT, 8-32 KEP, EXT LK WA, PL	11749
6. SCREW, 8-32 X 1/2, PH, M, PL	11073	18. WASHER, LOCK #8, EXTRN STAR	28291
7. GUIDE, CABLE	18360	19. SCREW, 8-32 X 1/2, PH, M, PL	11073
8. BRACKET ASM, COFFEE HOPPER, WELDED (ONLY)	24558	20. SCREW, 8-32 X 5/16, PH, PL	25795
9. MOTOR ASM, COFFEE AUGER, 180 RPM	22737	21. SCREW, 1/4-20 X 1/2, HH, WA, M, PL	17415
10. COVER, MOTOR	14426	22. SCREW, 6-32 X 3/8, PH, PL	12503
11. GROMMET, 3/8 X 15/32	03593	23. WASHER, FLAT #6, PL	00826
12. SCREW, 8-32 X 1/4, PH	14487		



CANISTER ASSEMBLY, COFFEE 203LG

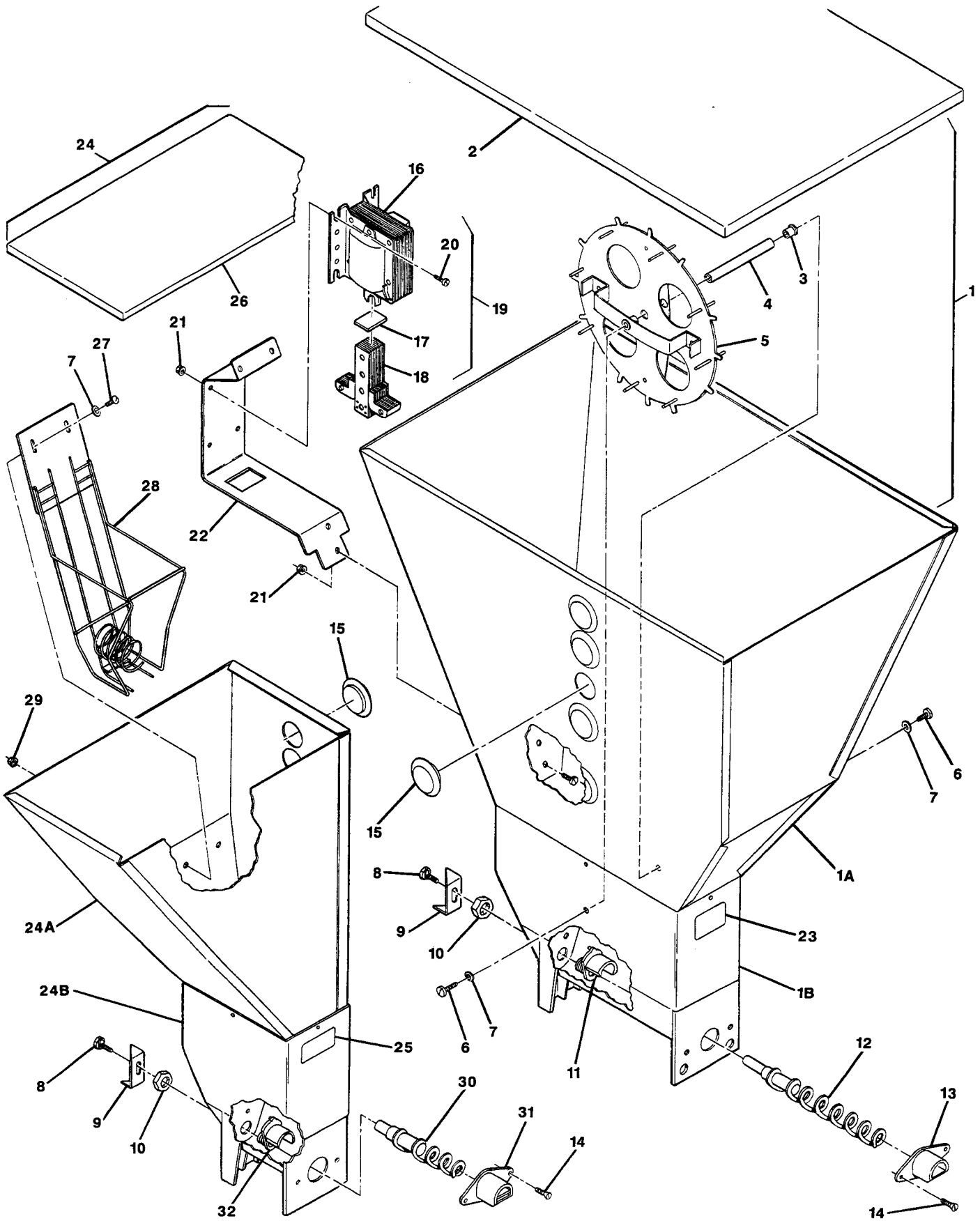
<p>1. CANISTER ASM COFFEE, COMPLETE (INCLUDES ITEMS 1A-22) 34277</p> <p>1A. CANISTER ASM COFFEE, BASIC (PLASTIC CANISTER WITH ATTACHED VACUUM-FORMED EXTENSION ONLY) 34572</p> <p>1B. CANISTER, COFFEE (BOTTOM PLASTIC CANISTER ONLY) . 23966</p> <p>2. SCREW, AUGER DRIVE 25970</p> <p>3. DRIVER, AUGER 25969</p> <p>4. NUT, 5/8-11, PAL 14190</p> <p>5. SCREW, 6-32 X 3/8, PH, PL 12503</p> <p>6. WASHER, FLAT #6, PL 00826</p> <p>7. BEARING, REAR 14012</p> <p>8. AUGER & SHAFT ASM 14023</p> <p>9. SPOUT, CANISTER (NO LOUVERS) 14011</p>	<p>10. SCREW, 6-32 X 3/8, FH, TP, PL 21492</p> <p>11. DECAL, CANISTER, COFFEE 15556-6</p> <p>12. SCREW, 8-32 X 3/8, PH 14491</p> <p>13. NUT, 8-32 STOP, PL 21042</p> <p>14. BRACKET, SOLENOID 27935</p> <p>15. PLUNGER (SOLD ONLY AS PART OF ITEM 18)</p> <p>16. PAD, SHOCK, SOLENOID 27940</p> <p>17. SOLENOID (SOLD ONLY AS PART OF ITEM 18)</p> <p>18. SOLENOID ASM (INCLUDES ITEMS 15-17) 28375</p> <p>19. WHEEL ASM, COMMODITY, COFFEE 21036</p> <p>20. AXLE, WHEEL 14017</p> <p>21. NYLINER, 4L4FK (PART OF ITEM 19) 16058-11</p> <p>22. LID, COFFEE CANISTER 33969</p>
--	---





**BRACKET ASSEMBLY, SWING-OUT 203DH
DUAL COFFEE HOPPER UNITS**

1.	SWITCH, CHERRY, E75-30A, CHEAT	33475
2.	BRACKET, SWITCH, COFFEE HOPPER	30919
3.	HARNES ASM, SWING-OUT	34004
4.	SCREW, 8-32 X 1/4, PH	14487
5.	BRACKET ASM, DECAF COFFEE HOPPER	29100
6.	MOTOR ASM, DECAF COFFEE AUGER, 170 RPM	28960
7.	CHUTE ASM, COFFEE, WELDED	33933
8.	COVER, COFFEE CHUTE	33934
9.	SCREW, 8-32 X 1/2, PH, M, PL	11073
10.	GUIDE, CABLE	18360
11.	BRACKET ASM, COFFEE HOPPER, WELDED (ONLY)	24558
12.	MOTOR ASM, REGULAR COFFEE AUGER, 180 RPM	22737
13.	COVER, MOTOR	14426
14.	GROMMET, 3/8 X 15/32	03593
15.	WASHER, LOCK #8, SPLIT, PL	00167
16.	WASHER, FLAT, #12	28468
17.	PLATE ASM, HINGE, COFFEE HOPPER BRACKET	30918
18.	NUT, 8-32 KEP, EXT LK WA, PL	11749
19.	WASHER, LOCK #8, EXTRN STAR	28291
20.	SCREW, 8-32 X 5/16, PH, PL	25795
21.	SCREW, 1/4-20 X 1/2, HH, WA, M, PL	17415
22.	SCREW, 6-32 X 3/8, PH, PL	12503
23.	WASHER, FLAT #6, PL	00826
24.	NUT, 6-32 WELD, TP1116	17692



**CANISTER ASSEMBLIES:
REGULAR & DECAFFEINATED COFFEE 203DH
DUAL HOPPER MACHINES**

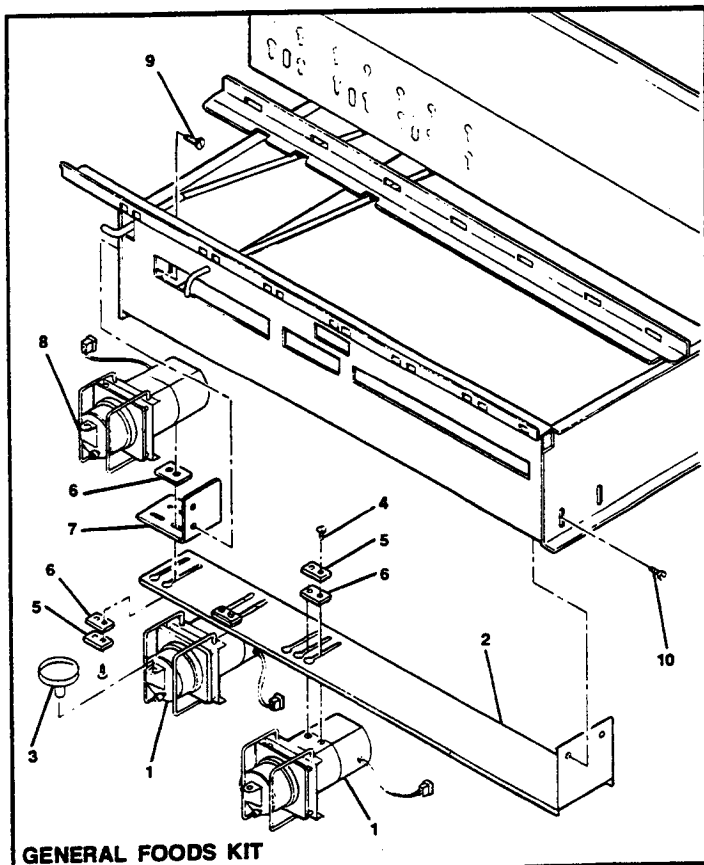
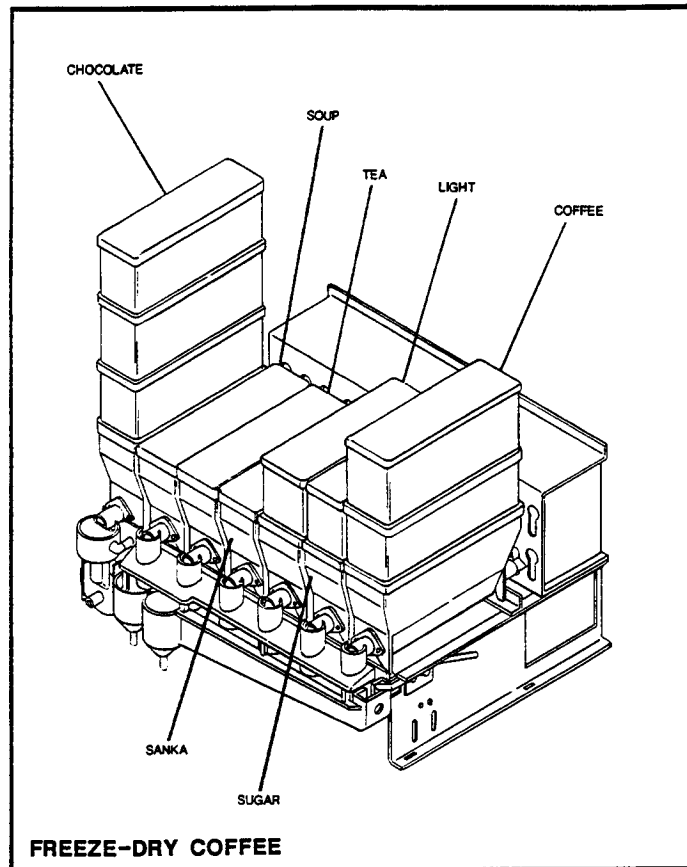
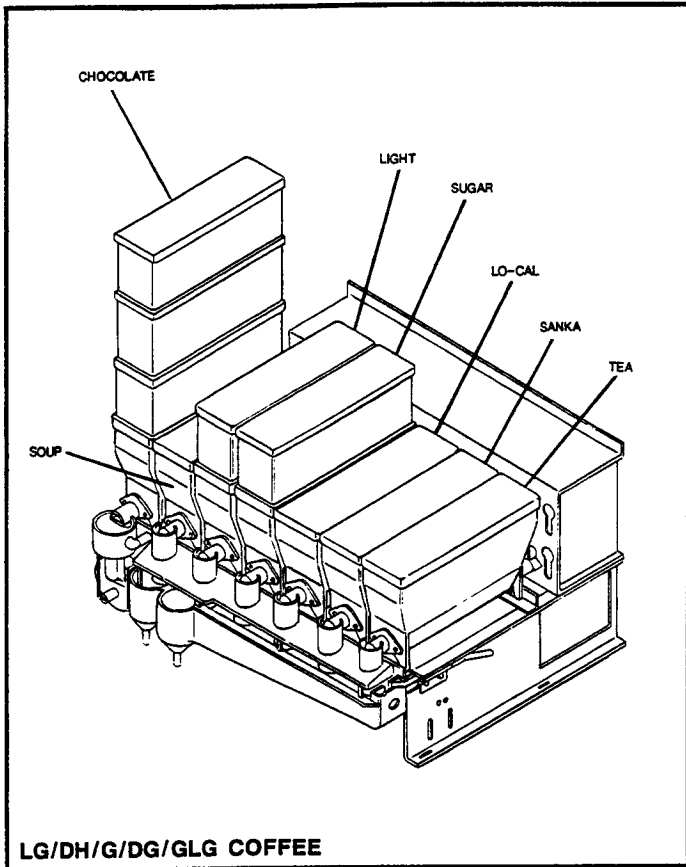
1.	CANISTER ASM, REGULAR COFFEE, COMPLETE (11 LB. CAPACITY) (INCLUDES ITEMS 1A-23)	29409
1A.	CANISTER ASM, REGULAR COFFEE, BASIC (PLASTIC CANISTER WITH ATTACHED STAINLESS STEEL EXTENSION ONLY)	31477
1B.	CANISTER, REGULAR COFFEE (BOTTOM PLASTIC CANISTER ONLY)	23966
2.	LID, CANISTER, REGULAR COFFEE, DH	29403
3.	NYLINER, L4FK	16058-11
4.	AXLE, WHEEL	14017
5.	WHEEL ASM, COMMODITY, COFFEE (INCLUDES ITEM 3)	21036
6.	SCREW, 6-32 X 3/8, PH, PL	12503
7.	WASHER, FLAT #6, PL	00826
8.	SCREW, AUGER DRIVE	25970
9.	DRIVER, AUGER	25969
10.	NUT, 5/8-11, PAL	14190
11.	BEARING, REAR	14012
12.	AUGER & SHAFT ASM	14023
13.	SPOUT, CANISTER (NO LOUVERS)	14011
14.	SCREW, 6-32 X 3/8, FH, TP, PL	21492
15.	PLUG, HOLE, POLY	17627
16.	SOLENOID (PART OF ITEM 19-NOT SOLD SEPARATELY)	
17.	PAD, SHOCK, SOLENOID	27940
18.	PLUNGER (PART OF ITEM 19-NOT SOLD SEPARATELY)	
19.	SOLENOID & PLUNGER ASM (INCLUDES ITEMS 16-18)	28375
20.	SCREW, 8-32 X 3/8, PH	14491
21.	NUT, 8-32, STOP, PL	21042
22.	BRACKET, SOLENOID	27935
23.	DECAL, CANISTER, NON-DECAF FRESH-BREW COFFEE	28949
24.	CANISTER ASM, DECAFFEINATED COFFEE, COMPLETE (4.5 LB. CAPACITY) (INCLUDES ITEMS 7-10,14-15,24A-31)	29410
24A.	CANISTER ASM, DECAFFEINATED COFFEE, BASIC (PLASTIC CANISTER WITH ATTACHED STAINLESS STEEL EXTENSION ONLY)	31478
24B.	CANISTER, DECAFFEINATED COFFEE (BOTTOM PLASTIC CANISTER ONLY)	33619-1
25.	DECAL, CANISTER, DECAF FRESH-BREW COFFEE	28948
26.	LID, CANISTER, DECAFFEINATED COFFEE, DH	29408
27.	SCREW, 6-32 X 5/16, TH, SD	22194
28.	AGITATOR, DECAF CANISTER	28921
29.	NUT, 6-32, LOCK, NYLON, INSERT	19927
30.	AUGER & SHAFT ASM, DECAF CANISTER	28912
31.	SPOUT, DECAF CANISTER	28863
32.	BEARING, REAR, DECAF	28864

CANISTER RACK ASSEMBLY

1.	RACK ASM, CANISTER, WELDED	24033
2.	HARNESS ASM, CANISTER RACK	33069
3.	TUBE ASM, CHOCOLATE WATER	28725
4.	TUBE ASM, SOUP WATER	28727
5.	NUT, 8-32 KEP, EXT LK WA, PL	11749
6.	TUBE ASM, TEA & FD COFFEE WATER	22631
7.	SCREW, 8-32 X 3/8, PH	14491
8.	SCREW, 8-32 X 1/4, PH	14487
9.	HOSE, EXHAUST (SOLD ONLY IN 6 FT.LENGTHS;13290=1 FT.)	13290
10.	DUCT, STEAM EXHAUST	23951
11.	TROUGH, COMMODITY (LG, DH, G, DG, GLG UNITS)	31309
11A.	TROUGH, COMMODITY (FD UNITS)	21192
12.	CHUTE, COMMODITY	21147
13.	STRIP ASM, HEATER, WIRED, 50W.	33684
13A.	STRIP ASM, HEATER, WIRED, 30W. (UNITS WITH FRESH-BREW TEA ONLY)	33684-1
14.	BRACKET ASM, HEATER STRIP	25829
14A.	BRACKET ASM, HEATER STRIP (UNITS WITH FRESH-BREW TEA ONLY)	30324
15.	CLAMP, 'P', 5/16, PLASTIC	25068
16.	BAR ASM, HUMIDITY (INCLUDES ITEMS 5,7,13,14,15)	33685
16A.	BAR ASM, HUMIDITY (UNITS WITH FRESH-BREW TEA ONLY) (INCLUDES ITEMS 5,7,13A,14A,15)	33685-1
17.	TUBE, SILICONE, 5/16 ID X 3/32, BROWN (BULK NO. SOLD PER INCH)	19033
18.	PAD, VIBRATION	33279
19.	BRACKET ASM, WHIPPER DAMPING	31844
20.	PLATE, COMPRESSION	33280
21.	SCREW, 8-32 X 5/8, PH, PL	16335
22.	FUNNEL, WHIPPER BASIC, LHD, MOLDED	28045
23.	WHIPPER ASM, CHOCOLATE, LESS FUNNELS (INCLUDES ITEMS 8,18-21,24-33)	34543
24.	HOUSING, OUTER, WHIPPER	13909
25.	RING, 'O', 2 1/4 X 2 1/2	13919
26.	IMPELLER, WHIPPER, LONG	13912
27.	SEAL, HOUSING, INNER WHIPPER	27435
28.	HOUSING, INNER WHIPPER	27421
29.	HOUSING & SEAL ASM (INCLUDES ITEMS 27 & 28)	13910
30.	SLINGER	13918
31.	PLATE, WHIPPER HOUSING	13914
32.	SPRING, RETAINER, WHIPPER	13915
33.	MOTOR ASM, WHIPPER, WIRED	33524
34.	DECAL, CHOCOLATE	15556-1
34A.	DECAL, SOUP	15556-2
34B.	DECAL, LIGHT	15556-4
34C.	DECAL, SUGAR	15556-5
34D.	DECAL, LO-CAL SUGAR SUBSTITUTE	15556-8
34E.	DECAL, SANKA	15556-7
34F.	DECAL, TEA	15556-3
34G.	DECAL, COFFEE (203FD ONLY)	15556-6
35.	PIN, ROLL, 1/8 X 1 1/2, SS (PART OF ITEMS 36-38)	15628
36.	MOTOR ASM, AUGER, 180 RPM (FOR CHOCOLATE&SOUP)	22737
37.	MOTOR ASM, AUGER, 90 RPM (FOR LIGHT & SUGAR)	13999
38.	MOTOR ASM, AUGER, 51 RPM (FOR FD SANKA, SOLUBLE TEA,& SUGAR SUBSTITUTE ON ANY 203 UNIT AND FOR FD COFFEE ON 203 FD UNITS)	14469
39.	TRAY ASM, COMMODITY RINSE	27883 *
40.	BRACKET, RINSE TRAY, LEFT SIDE (MOUNTS ON CABINET STIFFENER)	30439 *
41.	TRAY ASM, COMMODITY RINSE, COMPLETE (INCLUDES ITEMS 39 & 40)	30916 *
42.	SCREW, 8-32 X 3/8, HH, ZP, F, SD WA	14806 *

* NOTE: COMMODITY RINSE TRAY ASSEMBLY IS OPTIONAL FOR 203 SERIES MACHINES.

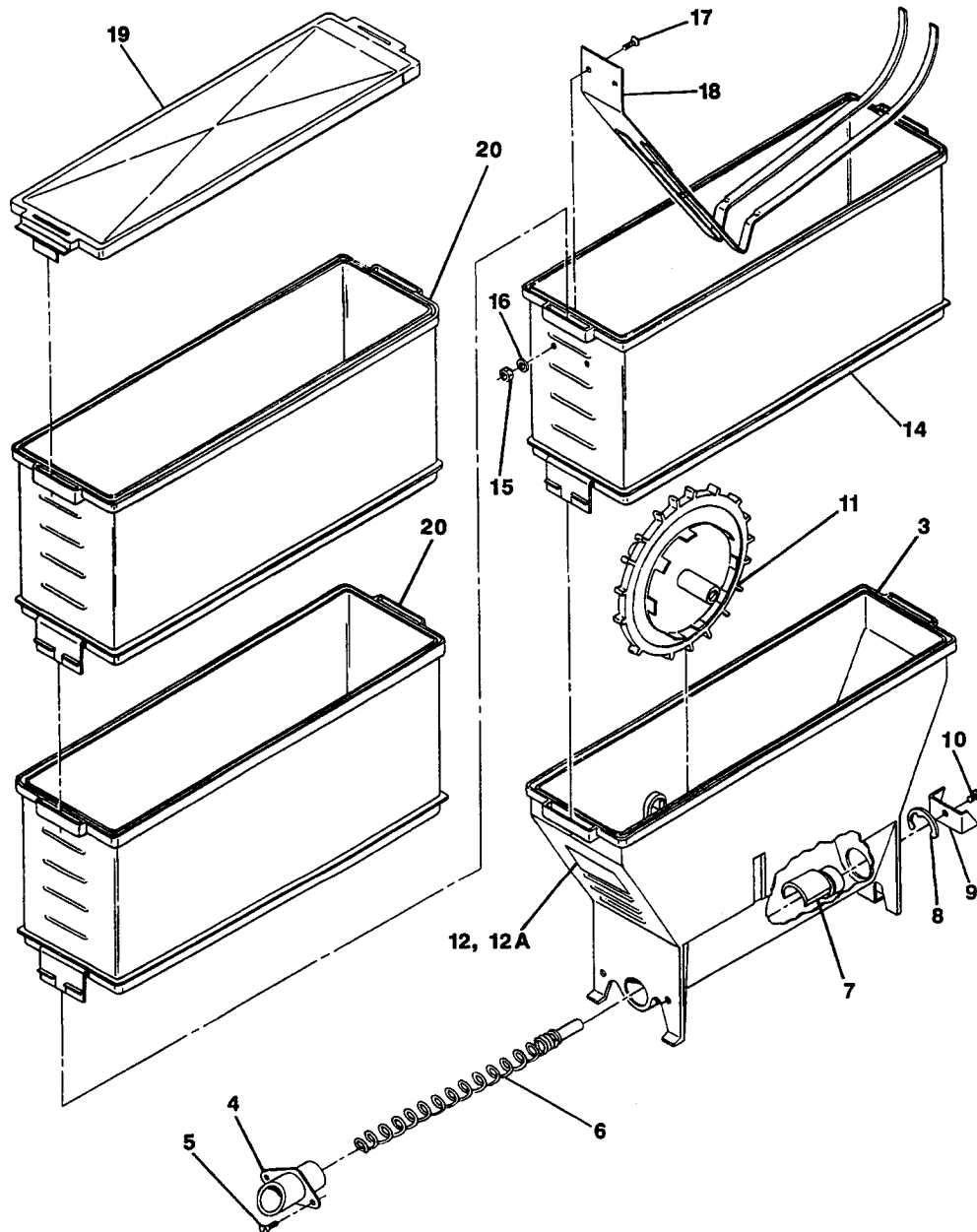
LOCATION OF COMMODITY CANISTERS ON RACK AND GFC PARTS



- | | |
|---|-------|
| 1. WHIPPER ASM, COFFEE, COMPLETE, GFC | 34542 |
| 2. BRACKET ASM, WHIPPER MOTORS | 32075 |
| 3. FUNNEL, LONG | 23027 |
| 4. SCREW, 8-32 X 5/8, PH, PL | 16335 |
| 5. PLATE, COMPRESSION | 33280 |
| 6. PAD, VIBRATION | 33279 |
| 7. BRACKET ASM, WHIPPER DAMPING | 31844 |
| 8. WHIPPER ASM, CHOCOLATE, LESS FUNNELS | 34543 |
| 9. SCREW, 8-32 X 1/4, PH | 14487 |
| 10. SCREW, 8-32 X 5/16, PH, PL | 25795 |

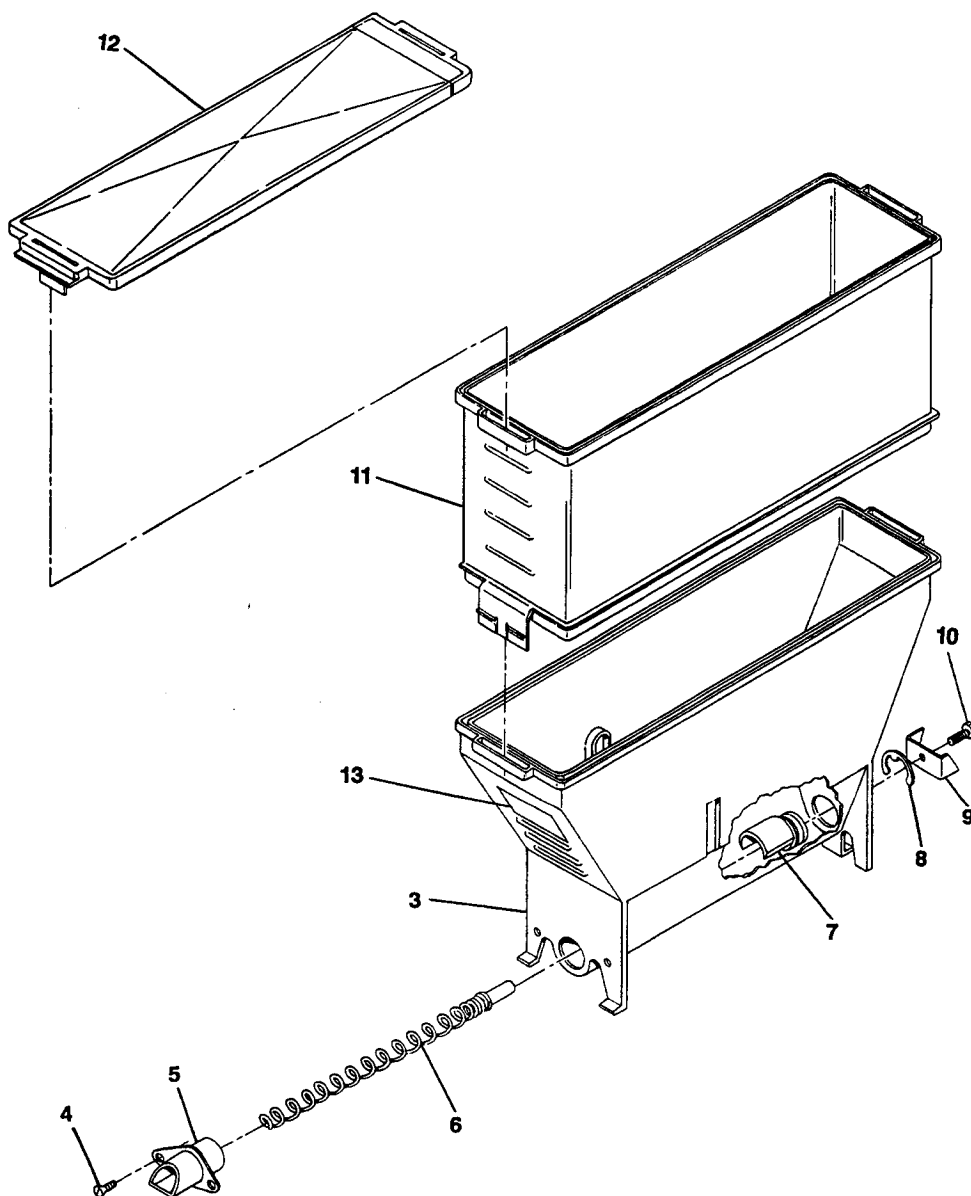
CANISTER ASSEMBLIES: CHOCOLATE, SOUP, SANKA, FD COFFEE, GFIC

1. CANISTER ASM, CHOCOLATE (INCLUDES ITEMS 2-20) . . .	22564	10. SCREW, AUGER DRIVE	25970
1A. CANISTER ASM, SOUP (INCLUDES ITEMS 2-11,12A,19) . . .	22563	11. WHEEL, COMMODITY	20311
1B. CANISTER ASM, SANKA (INCLUDES ITEMS 2-11,12B,19) . . .	22566	12. DECAL, CANISTER, CHOCOLATE	15556-1
1C. CANISTER ASM, FD COFFEE (203FD ONLY) (INCLUDES ITEMS 2-11,12C,19-20)	22567	12A. DECAL, CANISTER, SOUP	15556-2
1D. CANISTER ASM, GFIC (INCLUDES ITEMS 2-11,12C,13-19) . . .	32661	12B. DECAL, CANISTER, SANKA	15556-7
2. CANISTER ASM, BASIC: CHOCOLATE, SOUP, SANKA, FD COFFEE (INCLUDES ITEMS 3-11)	28486	12C. DECAL, CANISTER, COFFEE	15556-6
3. CANISTER, BOTTOM BASIC, PLASTIC	20288	13. EXTENSION ASM, CANISTER (INCLUDES ITEMS 14-18)	23731
4. SPOUT, CANISTER (NO LOUVERS)	26643	14. EXTENSION, CANISTER	23711
5. SCREW, 6 X 3/8, FH, PHILLIPS, B, PL	25034	15. NUT, 6-32 LK, NY INSERT	19927
6. AUGER ASM, COMMODITY	20645	16. WASHER, FLAT #6, PL	00826
7. BEARING, REAR	20263	17. SCREW, 6-32 X 5/16, WELD, SS	24529
8. RING, RETAINING, 'E', BOWED	17521-1	18. AGITATOR, CANISTER	23757
9. DRIVER, AUGER	25969	19. LID, CANISTER	20647
		20. EXTENSION, CANISTER	20290



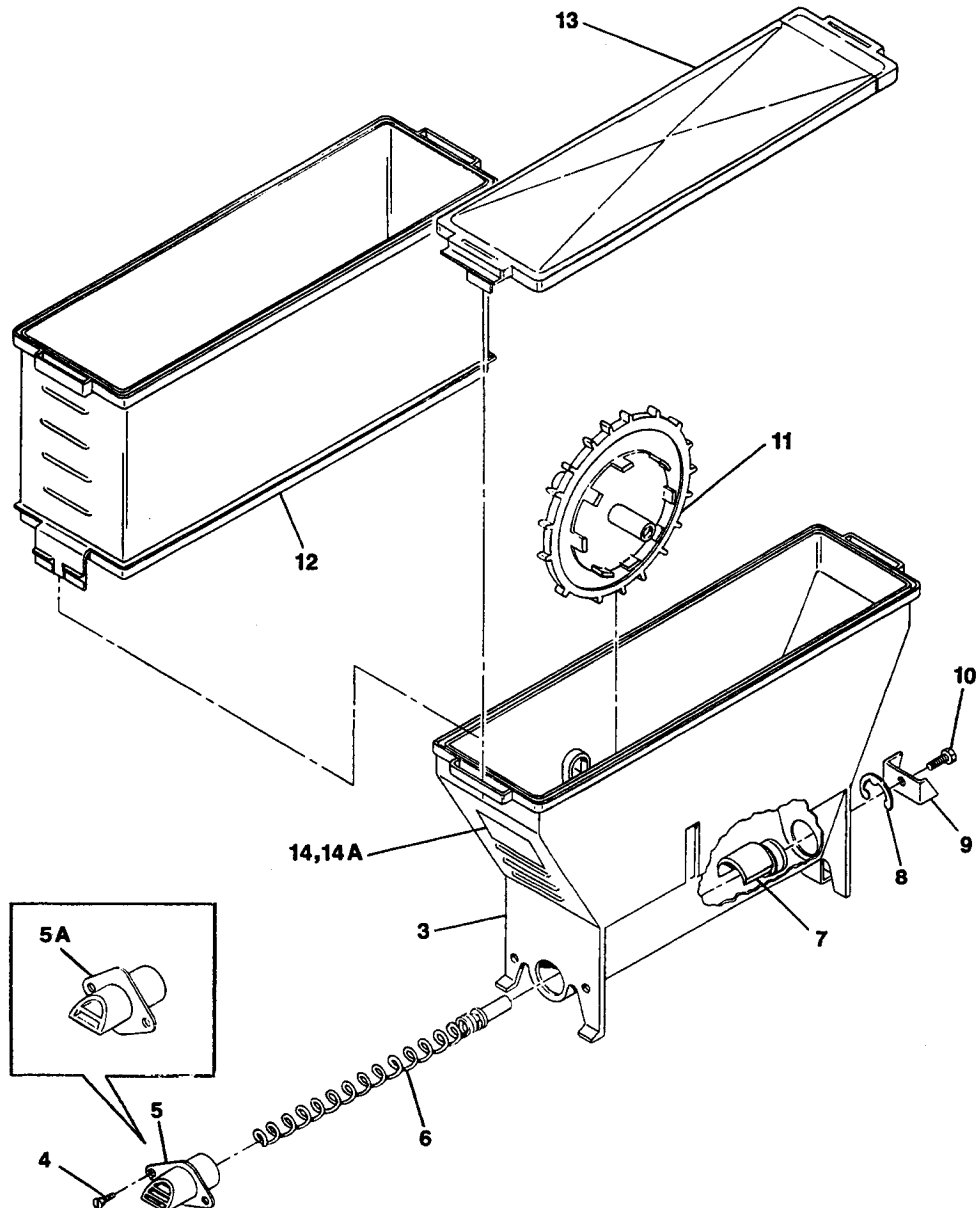
CANISTER ASSEMBLY: SUGAR

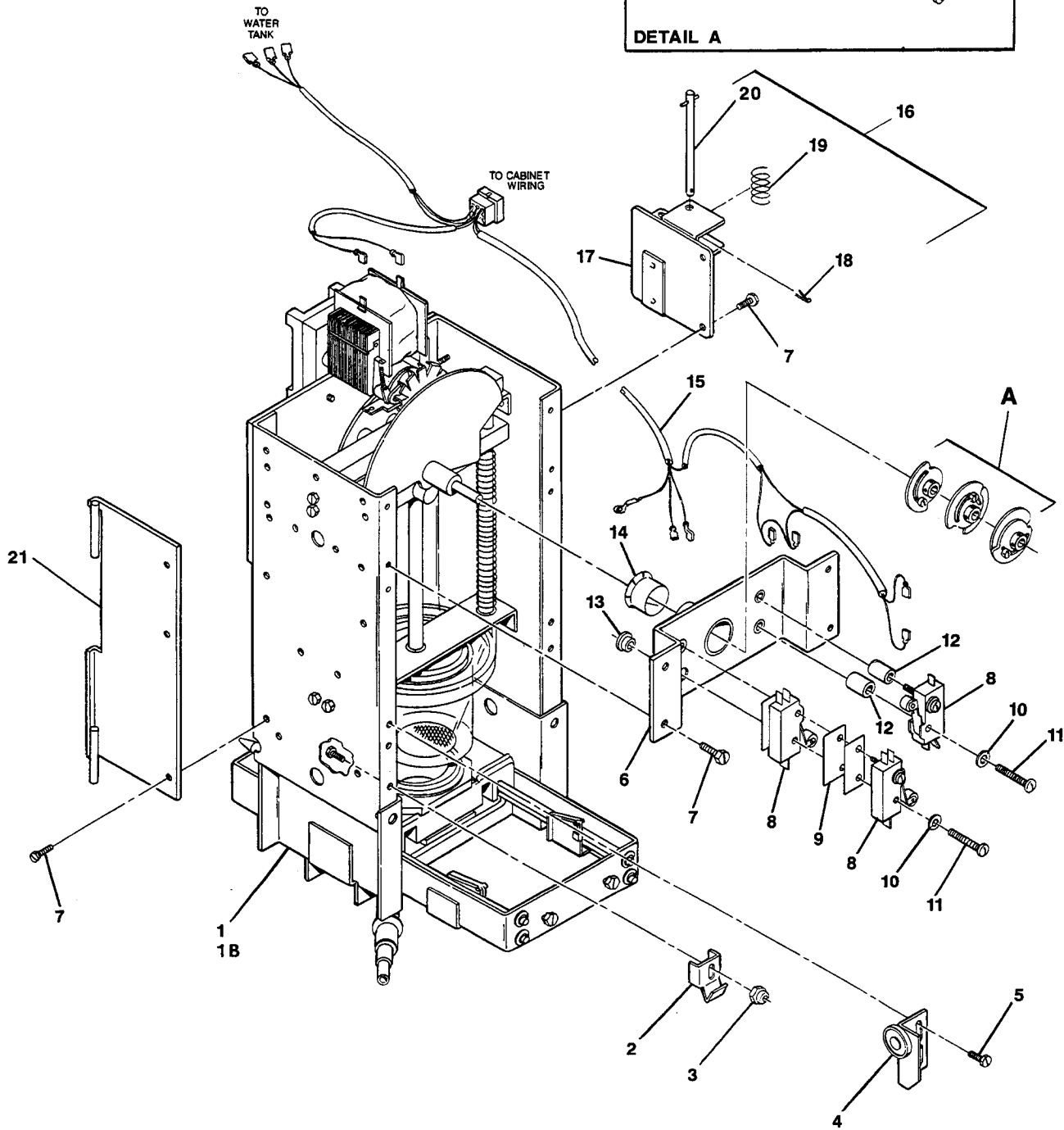
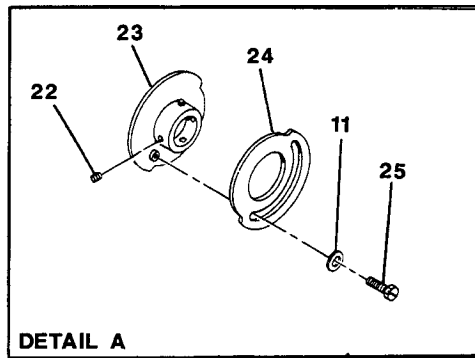
<ul style="list-style-type: none"> 1. CANISTER ASM, SUGAR (INCLUDES ITEMS 2-13) 22568 2. CANISTER ASM, SUGAR, BASIC (INCLUDES ITEMS 3-10) .. 28484 3. CANISTER, BOTTOM BASIC, PLASTIC 20288 4. SCREW, 6 X 3/8, FH, PHILLIPS, B, PL 25034 5. SPOUT, CANISTER (NO LOUVERS) 26643 6. AUGER ASM, COMMODITY 20645 7. BEARING, REAR 20263 	<ul style="list-style-type: none"> 8. RING, RETAINING, 'E', BOWED 17521-1 9. DRIVER, AUGER 25969 10. SCREW, AUGER DRIVE 25970 11. EXTENSION, CANISTER 20290 12. LID, CANISTER 20647 13. DECAL, CANISTER, SUGAR 15556-5
--	--



CANISTER ASSEMBLIES: LIGHT, TEA, AND SUGAR SUBSTITUTE

1. CANISTER ASM, LIGHT (INCLUDES ITEMS 2-14)	22562	6. AUGER ASM, COMMODITY	20645
1A. CANISTER ASM, SOLUBLE TEA (INCLUDES ITEMS 2-11,13,14A)	22565	7. BEARING, REAR	20263
1B. CANISTER ASM, LO-CAL SUGAR SUBSTITUTE (INCLUDES ITEMS 2A,3-4,5A,6-11,13,14B)	30156	8. RING, RETAINING, 'E', BOWED	17521-1
2. CANISTER ASM, BASIC: LIGHT & TEA (INCLUDES ITEMS 3-11)	28485	9. DRIVER, AUGER	25969
2A. CANISTER ASM, BASIC: LO-CAL SUGAR SUBSTITUTE (INCLUDES ITEMS 3-4,5A-11)	30155	10. SCREW, AUGER DRIVE	25970
3. CANISTER, BOTTOM BASIC, PLASTIC	20288	11. WHEEL, COMMODITY	20311
4. SCREW, 6 X 3/8, FH, PHILLIPS, B, PL	25034	12. EXTENSION, CANISTER	20290
5. SPOUT, CANISTER, LOUVERED	26643-1	13. LID, CANISTER	20647
5A. SPOUT, CANISTER, WITH 1 LOUVER	30157	14. DECAL, CANISTER, LIGHT	15556-4
		14A. DECAL, CANISTER, TEA	15556-3
		14B. DECAL, CANISTER, LO-CAL SUGAR SUBSTITUTE	15556-8





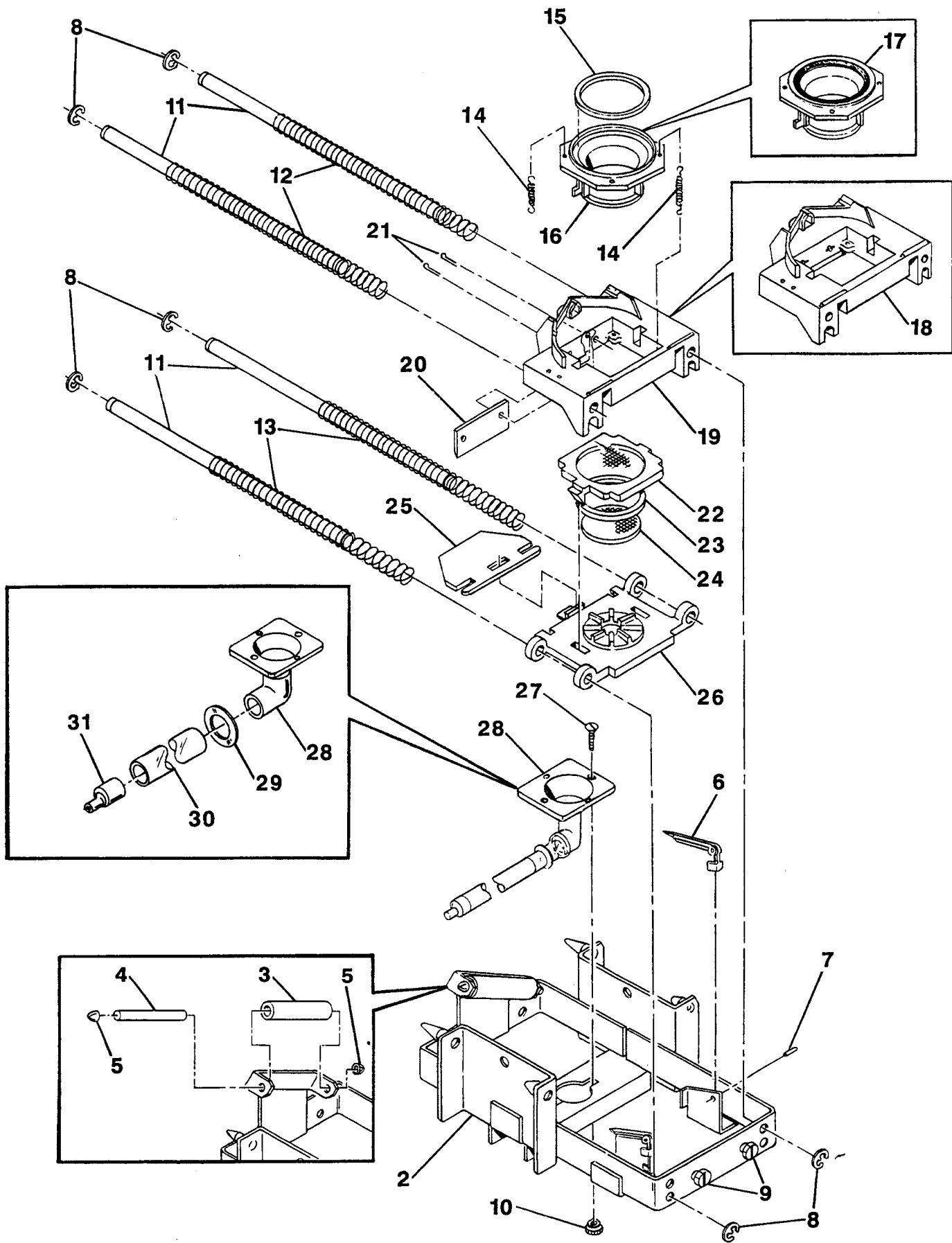
BREWER ASSEMBLY

1.	BREWER ASSEMBLY, VERSION 1 SOFTWARE, COMPLETE	32862
1B.	BREWER ASSEMBLY, VERSION 2 SOFTWARE, COMPLETE	35314
2.	BRACKET, LATCH, BREWER BASE	32715
3.	NUT, 8-32, STOP, PL	21042
4.	BRACKET ASM, ROLLER	30813
5.	SCREW, 8-32 X 3/8, HH, ZP, F, SD WA	14806
6.	CHANNEL ASM, FRONT, BREWER	18971
7.	SCREW, 10-32 X 3/8, HH, PL, SD	14805
8.	SWITCH, UNIMAX AA413C	17583
9.	INSULATION, SWITCH, FLAT, FISHPAPER	19557
10.	WASHER, FLAT #6, PL	00826
11.	SCREW, 6-32 X 1 3/4, PH, PL	17428
12.	SPACER, NYLON	17874
13.	NUT, BREWER SWITCH MTG, NYLON INSULATION	17848
14.	NYLINER, 12L12 FGS	16058-5
15.	HARNESS ASM, BREWER	32644
16.	LATCH ASM, BREWER (INCLUDES ITEMS 17-20)	18343
17.	BRACKET ASM, LATCH, WELDED, BREWER	19011
18.	PIN, COTTER, LATCH ASM	14748
19.	SPRING, LATCH PIN	16640
20.	PIN ASM, LATCH, BREWER	25248
21.	HINGE ASM, BREWER SIDE	18306
22.	SCREW, 6-32 X 3/16, SOCKET SET, CUP POINT	00652
23.	CAM W/HUB, STATIONARY, TAPPED	13151
24.	CAM, SLOTTED	13152
25.	SCREW, 6-32 X 1/4, HH, SD PL	13154

FOR 12 OZ. BREWER ONLY

(NOT SHOWN)

1A.	BREWER ASSY COMPLETE 12 OZ	35170
6A.	CHANNEL ASM FRONT BREWER 12 OZ	35141
15A.	HARNESS 12 OZ	35144



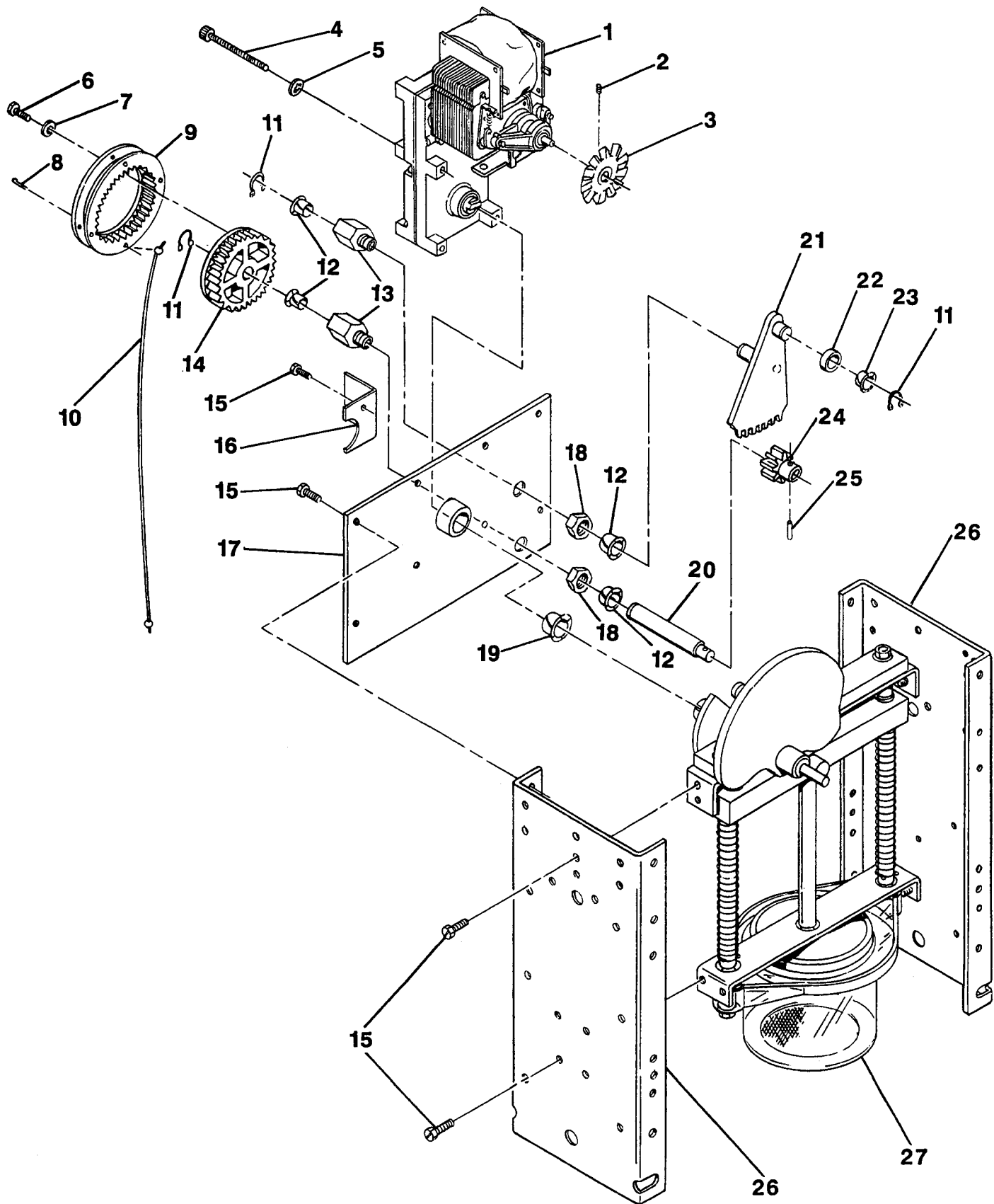
BREWER BASE ASSEMBLY

1.	BASE ASM, COMPLETE (INCLUDES ITEMS 2-28)	30568
2.	FRAME ASM, BASE, WELDED (ONLY)	28531
3.	IDLER, ROLLER	14370
4.	SHAFT, IDLER	16291
5.	NUT, PUSH, ACORN, PALNUT	16419
6.	PAWL	15019
7.	PIN, ROLL, 1/16 X 1/4, SS	14780
8.	RING, RETAINING, 1/4 BCU	17521-3
9.	SCREW, 10-32 X 3/8, HH, SD, PL	14805
10.	NUT, 6-32, KN, THUMB	04862
11.	ROD, CARRIAGE & FILTER SUPPORT	14344
12.	SPRING, CARRIAGE RETURN	15528
13.	SPRING, FILTER RETURN	14354
14.	SPRING, BREW CHAMBER	14435
15.	SEAL, BREW CAVITY	12798
16.	CHAMBER, BREW	28406
17.	CHAMBER WITH SEAL INSTALLED-INCLUDES ITEMS 14&15	29372
18.	CARRIAGE, BREW W/WIPER INSTALLED INCLUDES ITEMS 19&20	29373
19.	CARRIAGE, BREW	15018
20.	BLADE, WIPER, RUBBER	28526
21.	PIN, COTTER, 1/16 X 1/2, SS	06031
22.	FILTER, MOLDED, BROWN	16721
23.	SEAL, RING FILTER	16724
24.	SCREEN, FILTER	16723
25.	COVER, FUNNEL	27926
26.	SUPPORT, SCREEN, FILTER	28020
27.	SCREW, 6-32 X 1/2, FH, SS	15022
28.	FUNNEL, POLY	17898
29.	RING, DRIP	19047*
30.	TUBE, PVC, 5/8 X 13/16 X 3/32 (BULK NO. SOLD PER INCH; 9 IN. PER UNIT)	11115*
31.	ADAPTER, BREWER, TUBE-TROUGH	32285*

*ITEMS 29-31 ARE NOT INCLUDED IN BASE ASSEMBLY (ITEM 1).

FOR 12 OZ. BREWER ONLY (NOT SHOWN)

1A	CARRIAGE BREWER 12 OZ	35147
2A	FRAME ASM WELDED 12 OZ	35172
16A	BREW CHAMBER 12 OZ	35087
19A	CARRIAGE BREWER 12 OZ	35147
22A	FILTER MOLDED 12 OZ	35075
23A	FILTER SEAL 12 OZ	35082
24A	FILTER SCREEN 12 OZ	35081
26A	FILTER SUPPORT 12 OZ	35089
32.	SPACER WIPER BLADE 12 OZ	35171

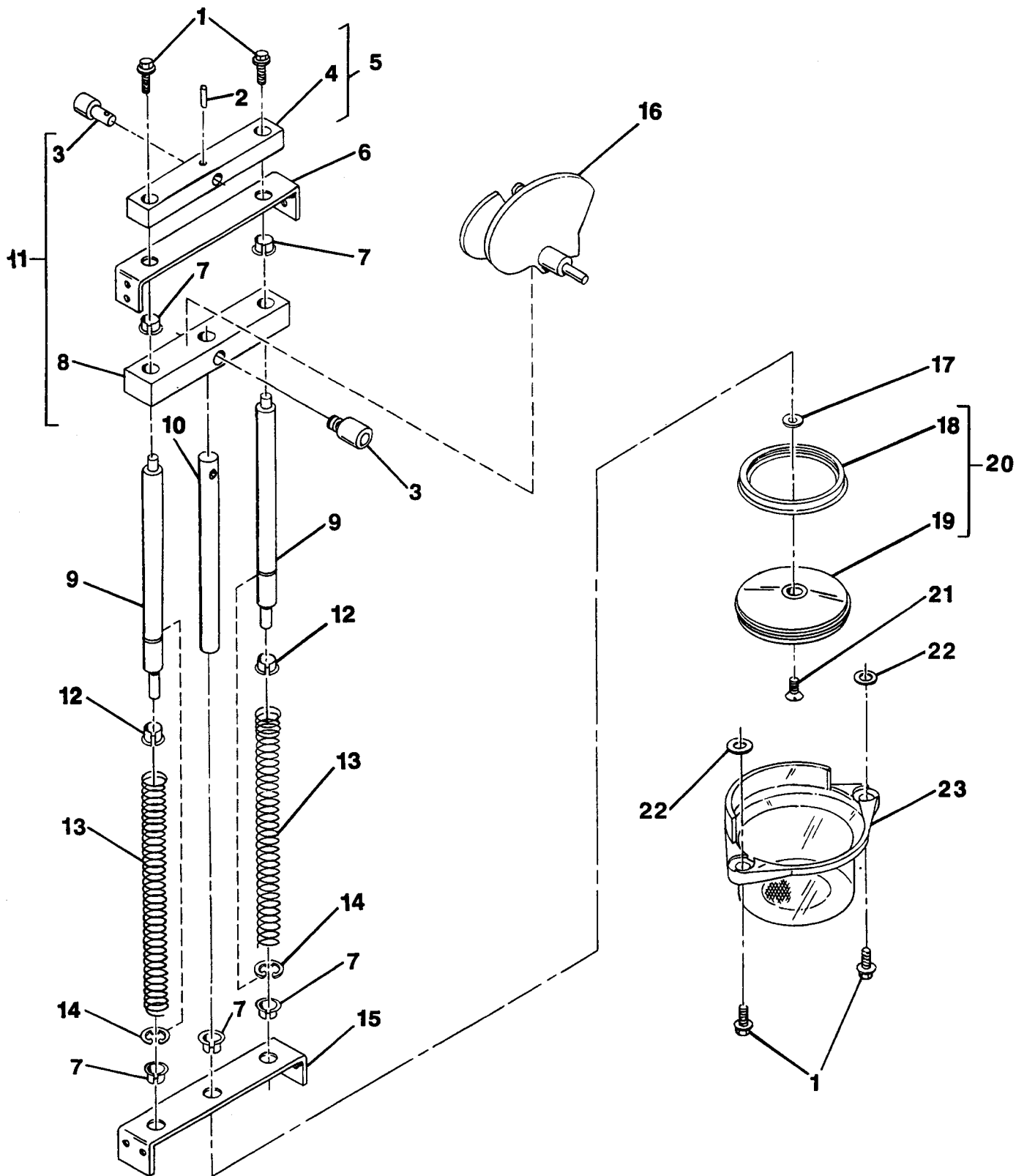


BREWER BACK PANEL, FRONT CHANNEL & MAIN FRAME ASSEMBLIES

1.	MOTOR, BREWER	17365
2.	SCREW, 8-32 X 3/16, NYLK, SK SET	03272
3.	BLADE, FAN, 1 5/8 DIA.	17584
4.	SCREW, 10-32 X 2 IN, SOCKET HEAD CAP	17846
5.	WASHER, LOCK, #10 INT STAR, PL	17423
6.	SCREW, 8-32 X 3/8, HH, ZP, F, SD WA	14806
7.	WASHER, FLAT #8, PL	00961
8.	PIN, COTTER, 1/16 X 3/4, SS	17412
9.	SPOOL, OUTER	15553
10.	CABLE ASM, SLOW RETURN	17404
11.	RING, RETAINING, 3/8 BCU	17521-7
12.	NYLINER, 6L6F	16058
13.	SLEEVE, BEARING	17683
14.	SPOOL, INNER	15554
15.	SCREW, 10-32 X 3/8, HH, SD, PL	14805
16.	GUARD, BREWER CABLE	17356
17.	PANEL ASM, BREWER BACK	17531
18.	NUT, 5/8-18 X 3/16, HEX, BRASS	00822
19.	NYLINER, 12L12FGS	16058-5
20.	SHAFT, PINION	15521
21.	GEAR ASM, SEGMENT	15522
22.	CAM FOLLOWER	15512
23.	NYLINER, CAM FOLLOWER	16438
24.	GEAR, PINION	15520
25.	PIN, ROLL, 3/32 X 1/2, SS	14511
26.	CHANNEL, BREWER SIDE	17332
27.	CYLINDER & PISTON ASM, BREWER (SEE MANUAL PAGE 11.04)	

FOR 12 OZ. BREWER ONLY (NOT SHOWN)

10A.	CABLE ASM SLOW RETURN 12 OZ	17404-1
17A.	PLATE ASM BACK 12 OZ	35148
26A.	CHANNEL BREWER SIDE LHD 12 OZ	35085
26B.	CHANNEL BREWER SIDE RHD 12 OZ	35086
28.	COVER, BREWER CAM (2 REQUIRED)	35091



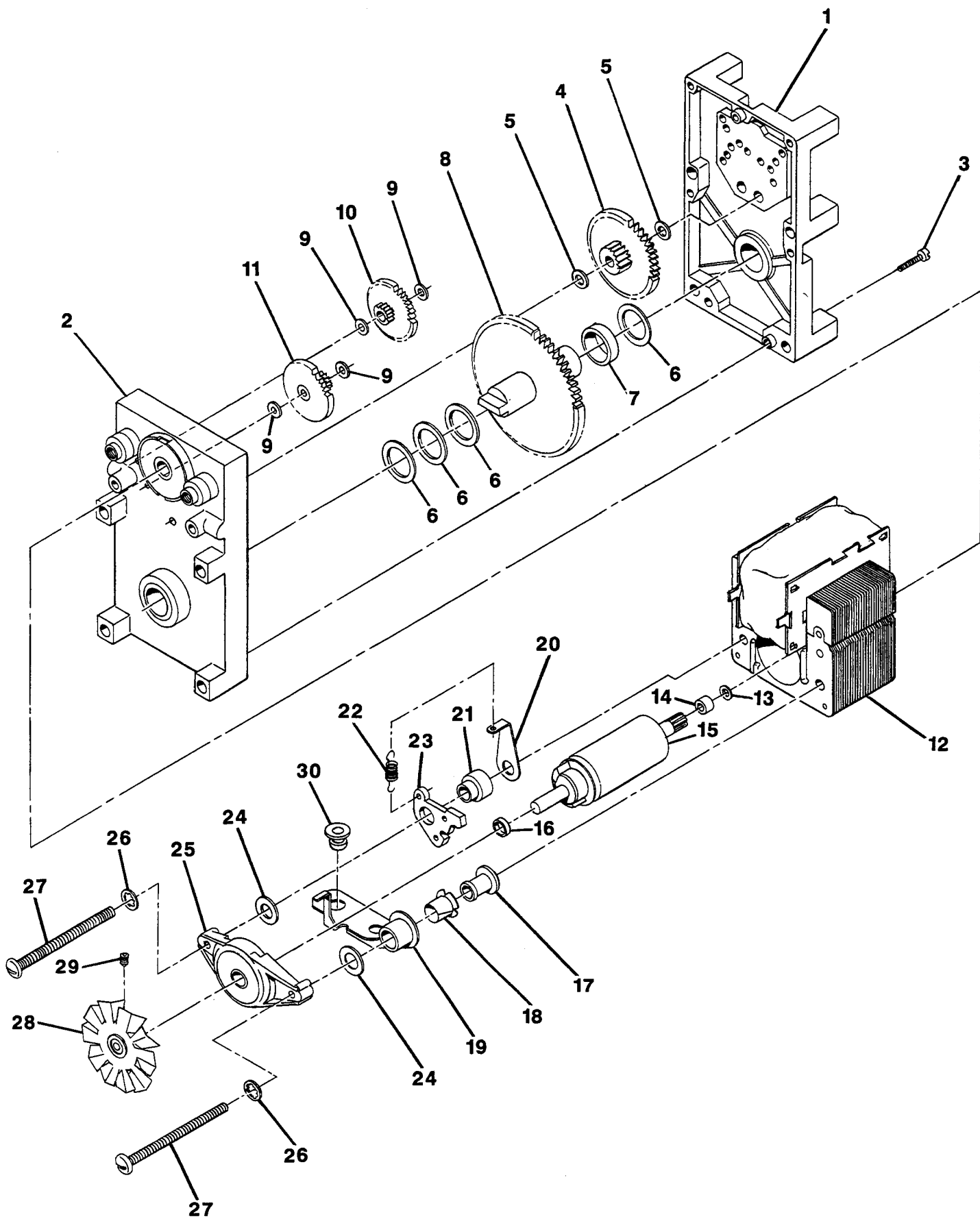
BREWER CYLINDER AND PISTON ASSEMBLIES

1.	SCREW, 1/4-20 X 1/2, HH, WA, M, PL	17415
2.	PIN, ROLL, 3/32 X 1/2, SS	14511
3.	FOLLOWER, CAM, SEALED	11947
4.	BRIDGE, CYLINDER	17324
5.	BRIDGE ASM, CYLINDER (INCLUDES ITEMS 2,3 & 4)	18996
6.	BRACKET, GUIDE TOP	17326
7.	NYLINER, 8L2FF	16058-17
8.	BRIDGE, PISTON	17323
9.	ROD, CYLINDER	17322
10.	ROD, PISTON	17327
11.	BRIDGE ASM, PISTON (INCLUDES ITEMS 3,8 & 10)	18997
12.	NYLINER, 8L12F	16058-16
13.	SPRING, PISTON RETURN	11956
14.	RING, RETAINING, 7/16, SS	17521-10
15.	BRACKET, GUIDE, BOTTOM	17325
16.	CAM ASM	17519
17.	GASKET, PISTON	13085
18.	SEAL, PISTON, WHITE SILICONE	29482
19.	PISTON, MOLDED, RED	29481
20.	PISTON ASM, RED, W/WHITE SEAL-INCLUDES ITEMS 18-19	29483
21.	SCREW, 1/4-20 X 1 1/4, SS	12716
22.	WASHER, CYLINDER, 3/8 X 11/16 X 1/16, SS	13839
23.	CYLINDER, BREWER	32714

FOR 12 OZ. BREWER ONLY

(NOT SHOWN)

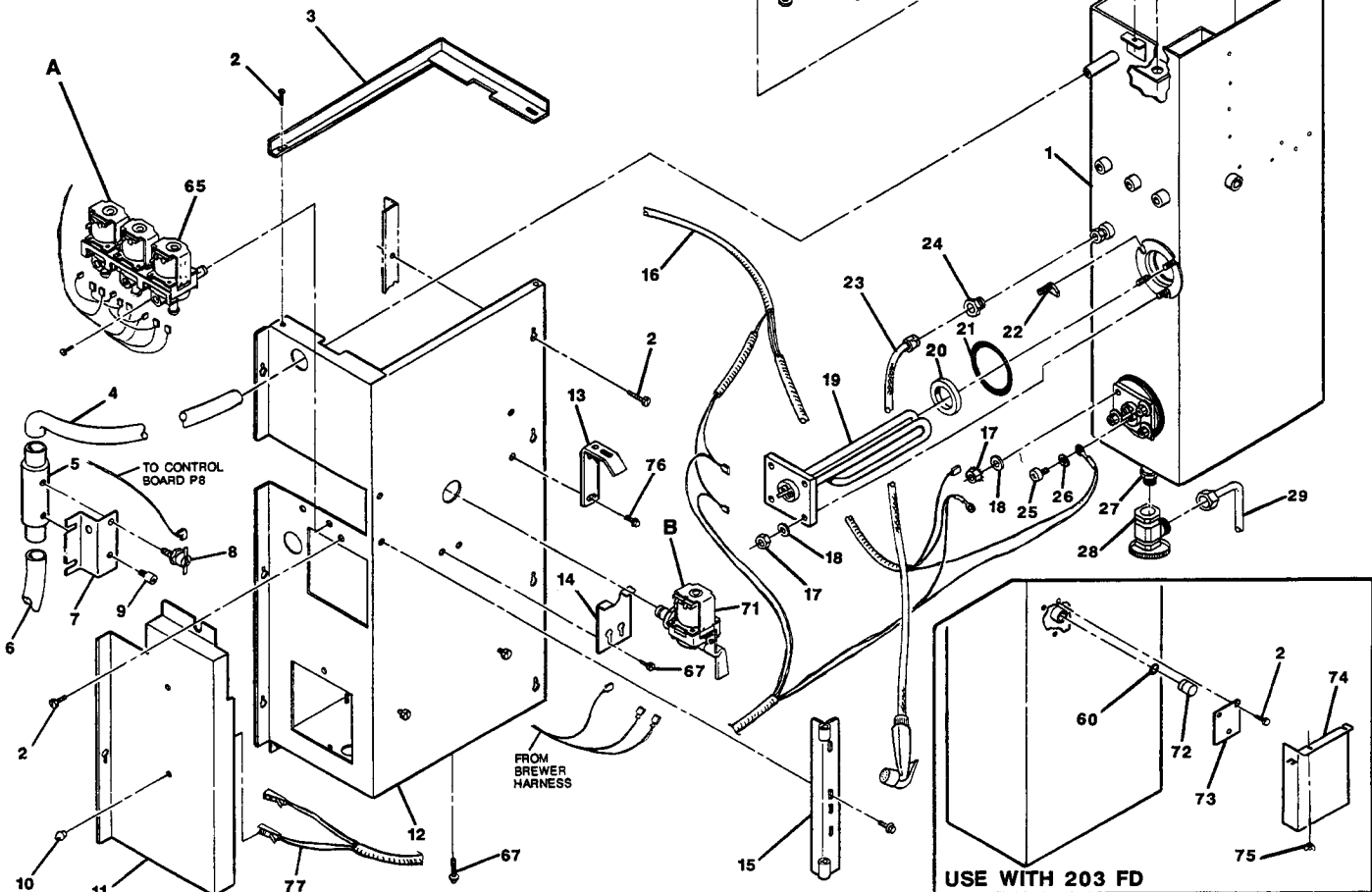
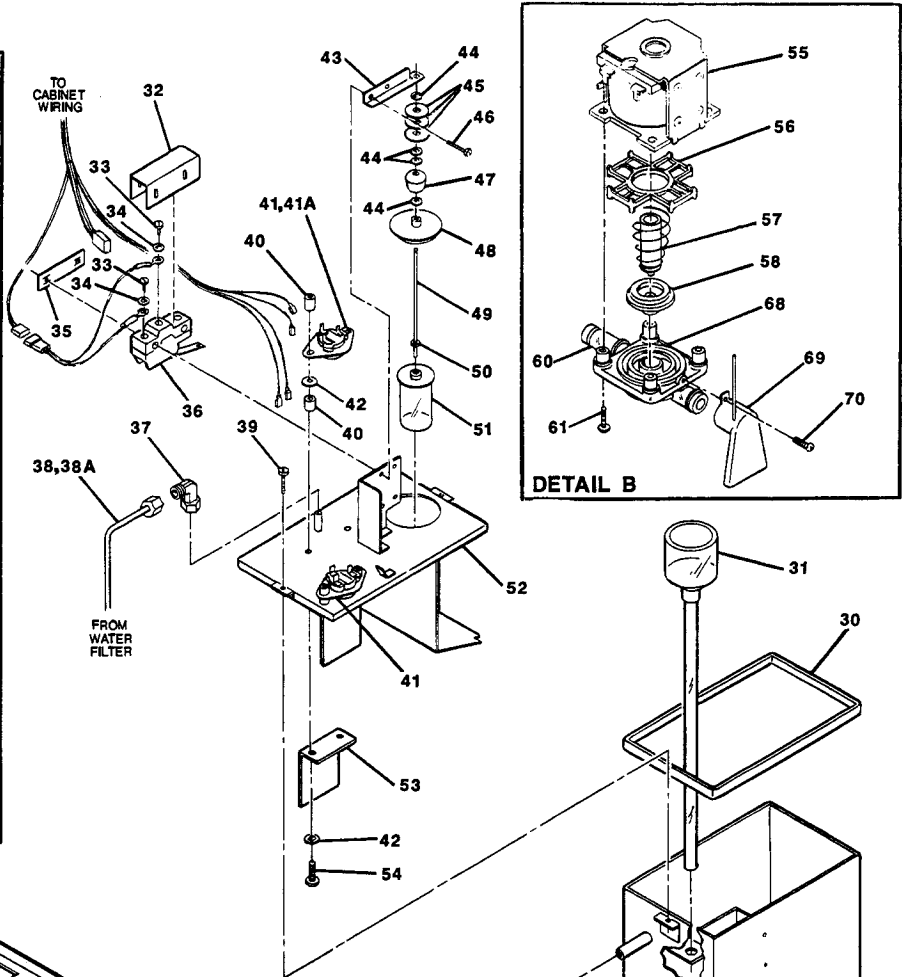
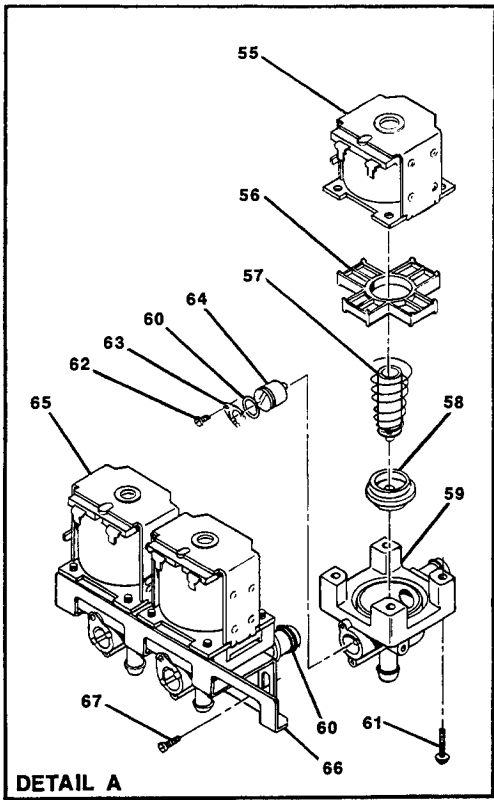
4A.	BRIDGE CYLINDER	35074
5A.	BRIDGE ASM CYL BREWER 12 OZ	35169
8A.	BRIDGE PISTON 12 OZ	35074
9A.	ROD CYLINDER BREWER 12 OZ	35079
10A.	ROD PISTON BREWER 12 OZ	35080
13A.	SPRING COMPRESSION BREWER 12 OZ	35083
16A.	CAM ASM BREWER 12 OZ	35164
23A.	CYLINDER BREWER 12 OZ	35077



BREWER MOTOR

17365 IS THE COMPLETE MOTOR ONLY. COMPONENTS SHOWN WITH RMI
ITEM NUMBERS ARE STOCKED BY RMI - OTHERS ARE NOT
AVAILABLE AS SEPARATE SPARE PARTS.

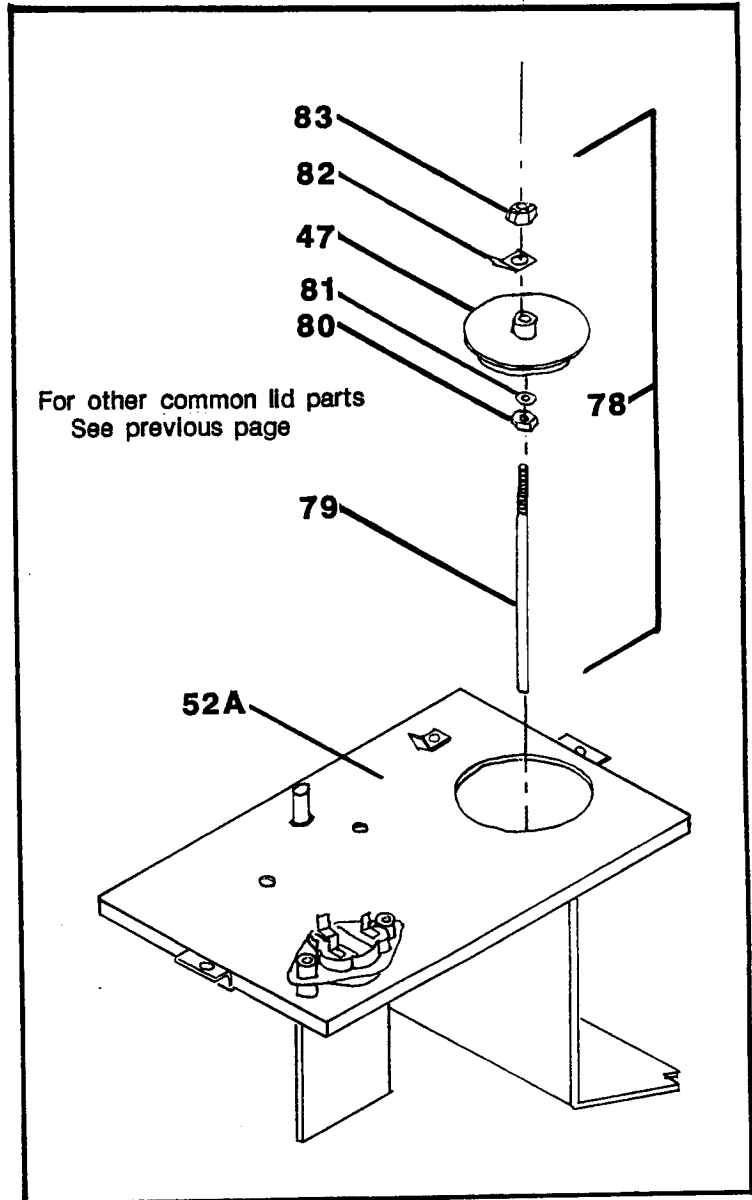
1. CASE ASM, GEAR, MOUNTING SIDE
2. CASE ASM, GEAR, MOTOR SIDE
3. SCREW, COVER
4. GEAR & PINION, 3RD POSITION 28417
5. WASHER, SPACER
6. SPACER, OUTPUT SHAFT
7. SPACER, OUTPUT SHAFT
8. GEAR & OUTPUT SHAFT 28418
9. WASHER, SPACER
10. GEAR & PINION, 2ND POSITION 28416
11. GEAR & PINION, 1ST POSITION 28415
12. STATOR & COIL ASM
13. WASHER
14. SPACER, PLASTIC
15. ROTOR & SHAFT ASM
16. SPACER
17. PIVOT, ARMATURE SLIDE
18. BEARING, NYLINER
19. ARMATURE ASM 22767
20. BRACKET, SPRING
21. PIVOT, PAWL SIDE
22. SPRING, BRAKE 21495
23. ARM, BRAKE, PLASTIC 21494
24. WASHER
25. BEARING & BRACKET ASM 22692
26. WASHER, INTERNAL LOCK
27. SCREW, 8-32 X 2 1/2, RH 22772
28. BLADE, FAN, 1 5/8 DIA. 17584
29. SCREW, 8-32 X 3/16, NYLK, SK SET 03272
30. GROMMET, SILICONE BRAKE PAD 29178



TANK ASSEMBLY, HOT WATER

1.	TANK ASM, HOT WATER, WELDED	30721
2.	SCREW, 8-32 X 3/8, HH, ZP, F, SD WA	14806
3.	STRAP ASM, HTW TANK	30724
4.	TUBE, OVERTEMP THERMOSTAT, 13 IN.	24760-1
5.	TUBE, OVERTEMP THERMOSTAT	34158
6.	TUBE, OVERTEMP THERMOSTAT, 55 IN.	24760-2
7.	BRACKET, OVERTEMP THERMOSTAT	34159
8.	SAFTEY OVERTEMP THERMOSTAT, 150 DEG., SPST	34438
8A.	SPACER, SAFTEY OVERTEMP THERMOSTAT	34634-1
9.	SCREW, 1/4-20 X 3/8, SK CAP, NYLON	30504
10.	LENS, RED	27934
11.	COVER, HEATER, HTW TANK	30708
12.	JACKET ASM, HTW TANK	30711
13.	BRACKET, LATCH, BREWER (NOT USED ON 203FD)	16641
14.	RETAINER, BREWER VALVE (NOT USED ON 203FD)	28814
15.	HINGE ASM, TANK SIDE, BREWER (NOT USED ON 203FD)	16646
16.	HARNES ASM, HTW TANK	33764
17.	NUT, 1/4-20, KEP, PL	12518
18.	WASHER, SS, .715 OD X .344 ID	13959
19.	HEATER & GASKET, 1500W., 120V. (INCLUDES ITEM 20) ..	21449
20.	GASKET (ONLY), HEATER	22262
21.	RING, 'O', 2 3/4 X 3 1/8	22414
22.	SCREW, 1/4-20 X 3/4, WELD, HEATER	24496
23.	FAUCET & RINSE HOSE, 4 FT.	14494
24.	ADAPTER, BRASS, 1/4 MPT X 1/8 FPT	08229
25.	SCREW, 10-32 X 1/4, RH, M, SS	101S10-4
26.	WASHER, LOCK, #10, INTERNAL STAR, PL	17423
27.	FITTING, REDUCING NIPPLE	17359
28.	VALVE, TANK DRAIN	14924
29.	TUBE, TANK DRAIN, COPPER, 3/8 X 7 IN.	31502
30.	GASKET, TANK (BULK #-SOLD PER INCH;28 1/2" PER UNIT) ..	22527
31.	TUBE ASM, FILL	31724
32.	COVER, INSULATION	00784
33.	SCREW (PART OF ITEM 36-NOT SOLD SEPARATELY)	
34.	WASHER, LOCK #6, SPLIT, PL	16177
35.	NUT, 6-32, TWIN-SPEED	01179
36.	SWITCH, FLOAT	19509
37.	ELBOW, 1/4 TUBE, BRASS, UNION	26189
38.	TUBE ASM, WATER INLET VALVE TO TANK (UNITS WITH FILTER)	31129
38A.	TUBE ASM, WATER INLET VALVE TO TANK (UNITS WITH SHUTOFF VALVE)	30997
39.	SCREW, 6-32 X 1, PH, F, TP	17654
40.	NUT, 8-32 STAND-OFF, SS	21390
41.	THERMOSTAT, 195 DEG. (2 PER FRESH BREW UNITS)	30571
41A.	THERMOSTAT, 180 DEG. (2 PER FD UNITS)	21899
42.	WASHER, THERMOSTAT SPACER	32525

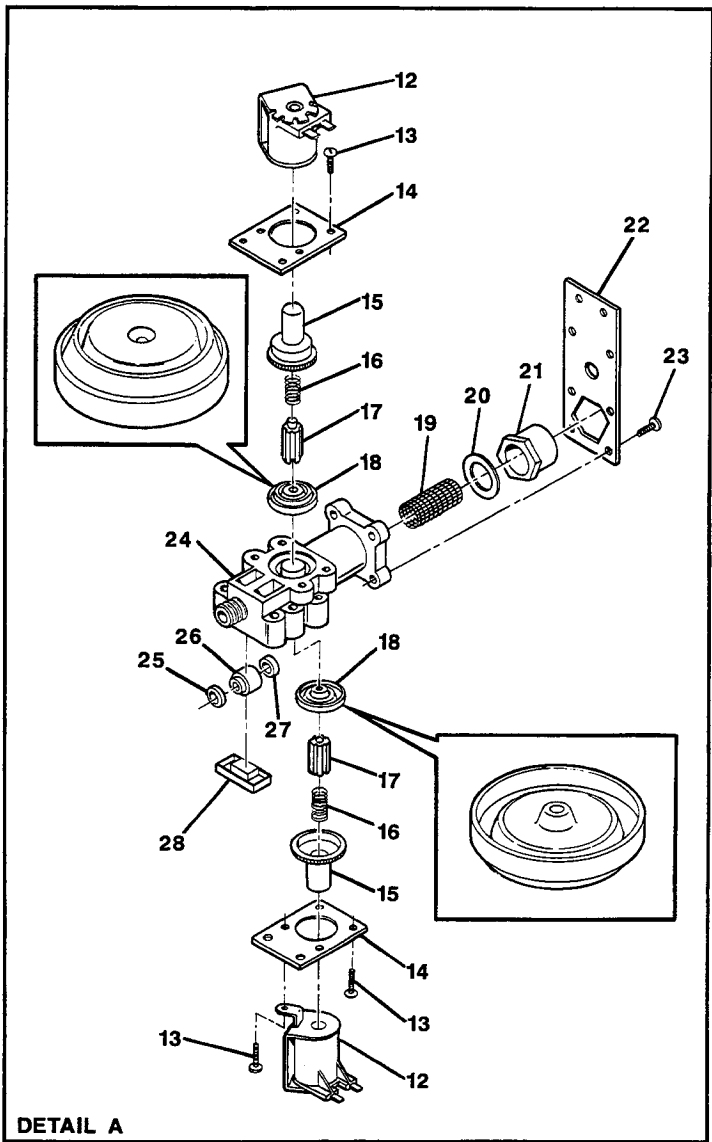
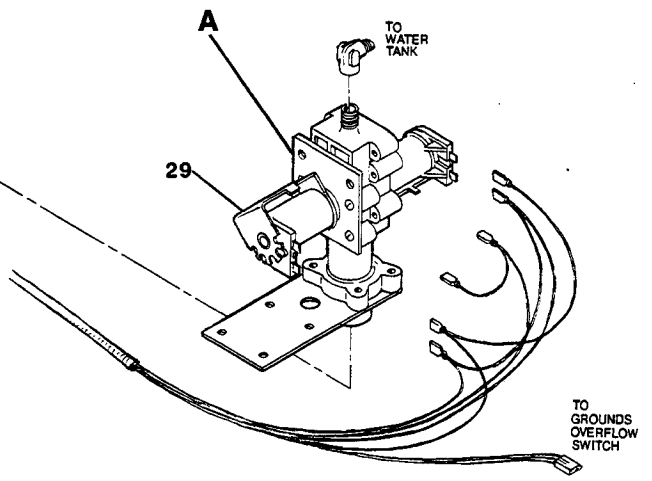
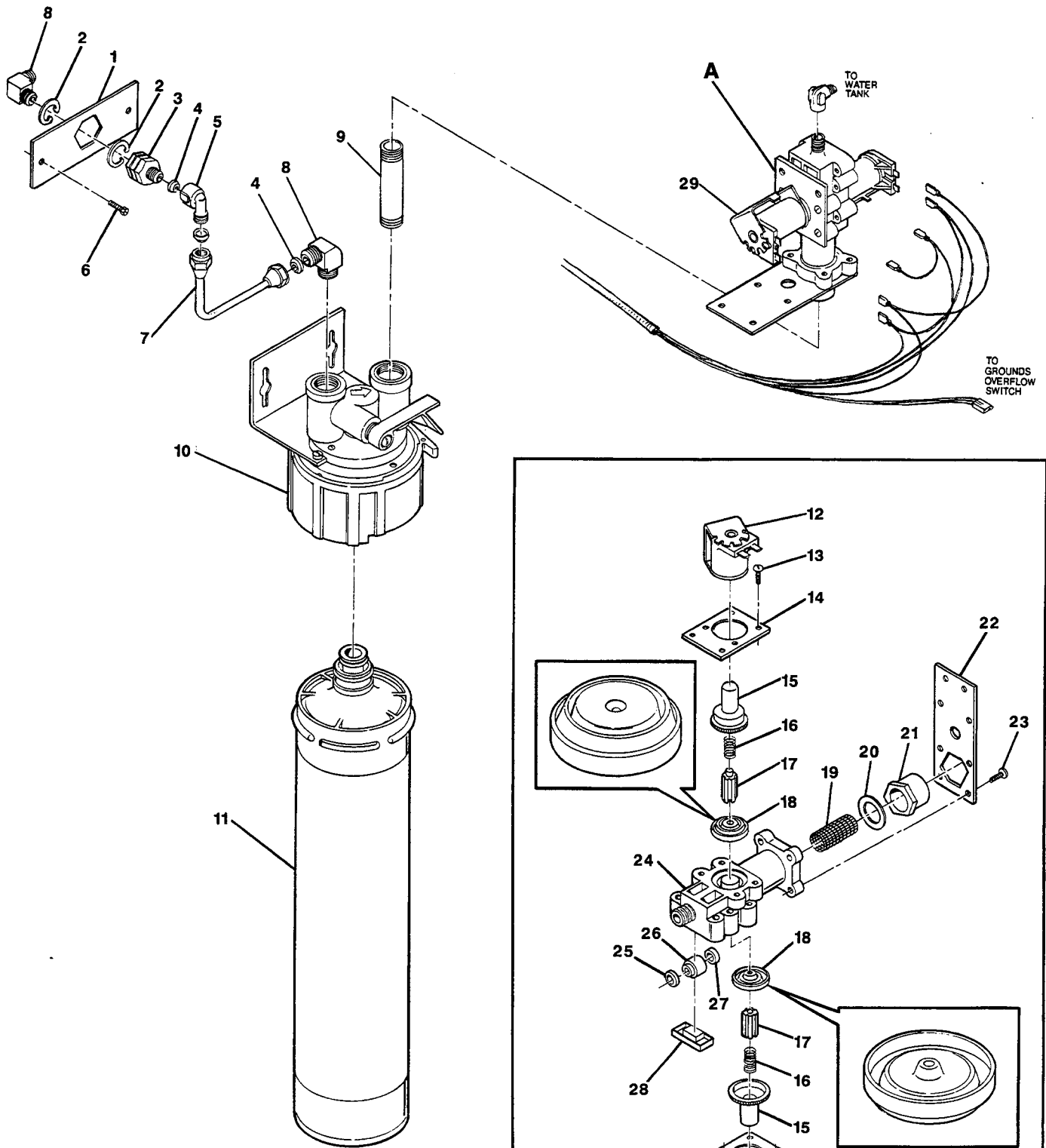
TANK ASSEMBLY, HOT WATER, CONT.



TANK ASSEMBLY, HOT WATER, CONT.

43.	GUIDE, FLOAT ROD, HTW TANK	26249
44.	NUT, 1/8, PUSH-ON, PAL	26361
45.	WASHER, FLOAT ROD, HTW TANK	26362
46.	SCREW, 6-32 X 1, RH, PL	00050
47.	CAP, FLOAT ROD, HTW TANK	26363
48.	COVER, ACCESS, HTW TANK	19025
49.	ROD, FLOAT, HTW TANK	26364
50.	NUT, 6-32 HEX, BRASS	00046
51.	FLOAT, STAINLESS STEEL, TEFLON COATED	35267
52.	LID ASM, HTW TANK, VERSION 1 SOFTWARE, WELDED	30714
52A.	LID ASM, HTW TANK, VERSION 2 SOFTWARE, WELDED	35287 *
53.	THERMOSINK, COPPER	30728
54.	SCREW, 8-32 X 1, RH, BRASS	06904
55.	COIL, RED	30596
56.	ADAPTER, EATON VALVE	27787
57.	ARMATURE & SPRING, EATON VALVE	30598
58.	DIAPHRAGM, EATON VALVE	32911
59.	BODY, VALVE, CLEAR	27786
60.	RING, 'O', 7/16 X 9/16	32864
61.	SCREW, VALVE MOUNTING	27791
62.	SCREW, LOCKING (NOT STOCKED BY RMI)	
63.	CLIP (NOT STOCKED BY RMI)	
64.	SCREW ASM, ADJUSTING (INCLUDES ITEM 60)	27788
65.	VALVE ASM, COMMODITY (INCLUDES ITEMS 55-64)	30860
66.	BRACKET, RETAINER, EATON COMMODITY VALVE	30725
67.	SCREW, 8-32 X 3/4, HH, F, SD	23999
68.	BODY, BREWER VALVE, EATON	33424
69.	SPOUT, BREWER VALVE, EATON, BLACK	28733
70.	SCREW, 6 X 5/16, PH, TYPE 25, PL	28825
71.	VALVE ASM, BREWER, EATON (INCLUDES ITEMS 55-58, 60-61, & 68-70)	30854
72.	PLUG, VALVE	28078
73.	COVER, HOLE	23043
74.	COVER, HTW TANK, FD	31206
75.	NUT, 8-32 WING, ZINC WA BASE	06888
76.	SCREW, 1/4-20 X 1/2, HH, WA, M, PL	17415
77.	LAMP, INDICATOR, RED, 110V.	27956
78.	PROBE ASM (INCLUDES 47,79-83)	35280 *
79.	PROBE	35279
80.	NUT, BRASS 6-32 HEX	00046
81.	WASHER, FLAT #6 SS	600S6
82.	TERMINAL, TAB .250	21109
83.	NUT, 6-32 NYLON LOCK	19927

* ITEMS 52A & 78 ARE ONLY USED WITH VERSION 2 SOFTWARE



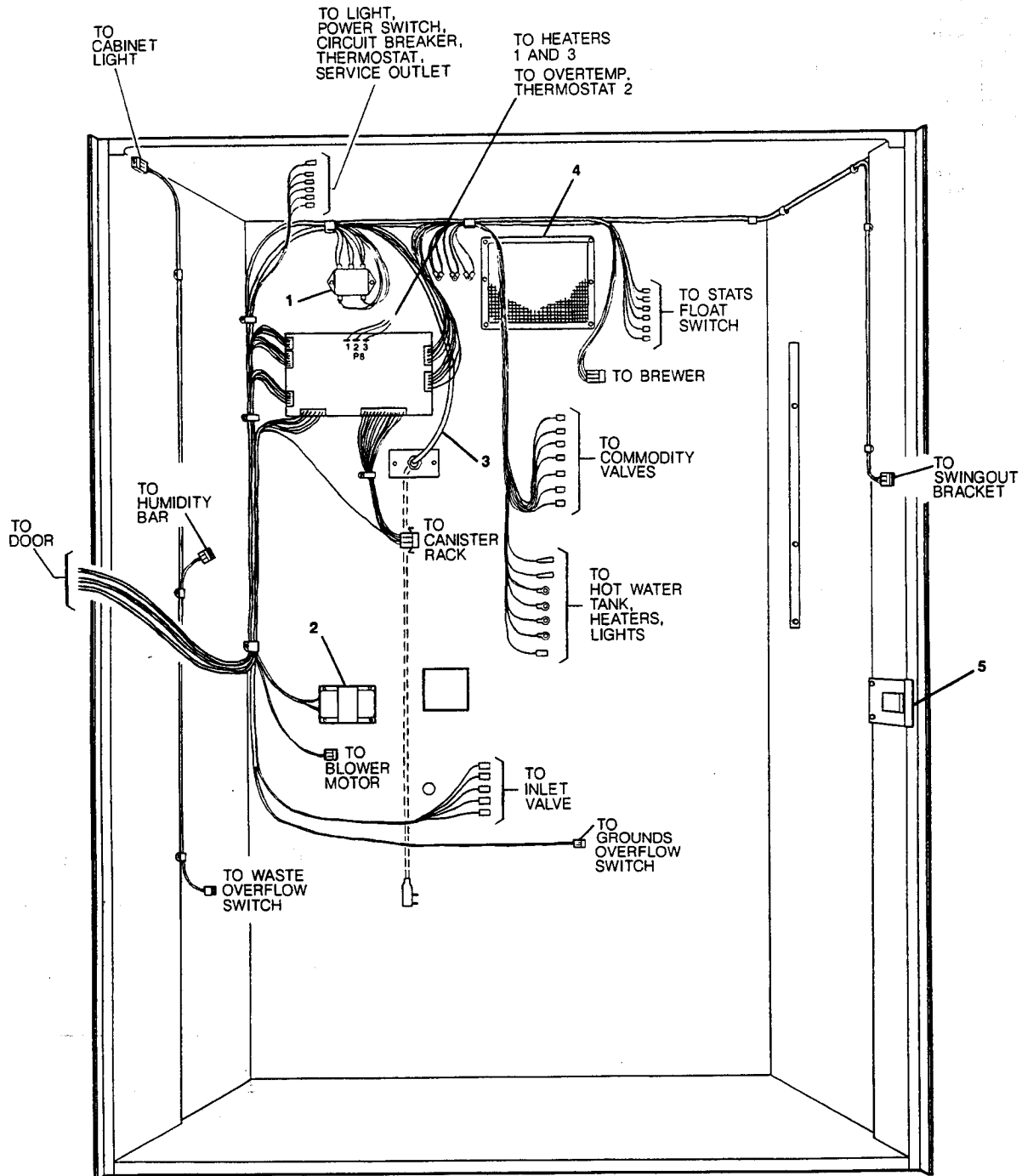
WATER INLET AND FILTER ASSEMBLIES

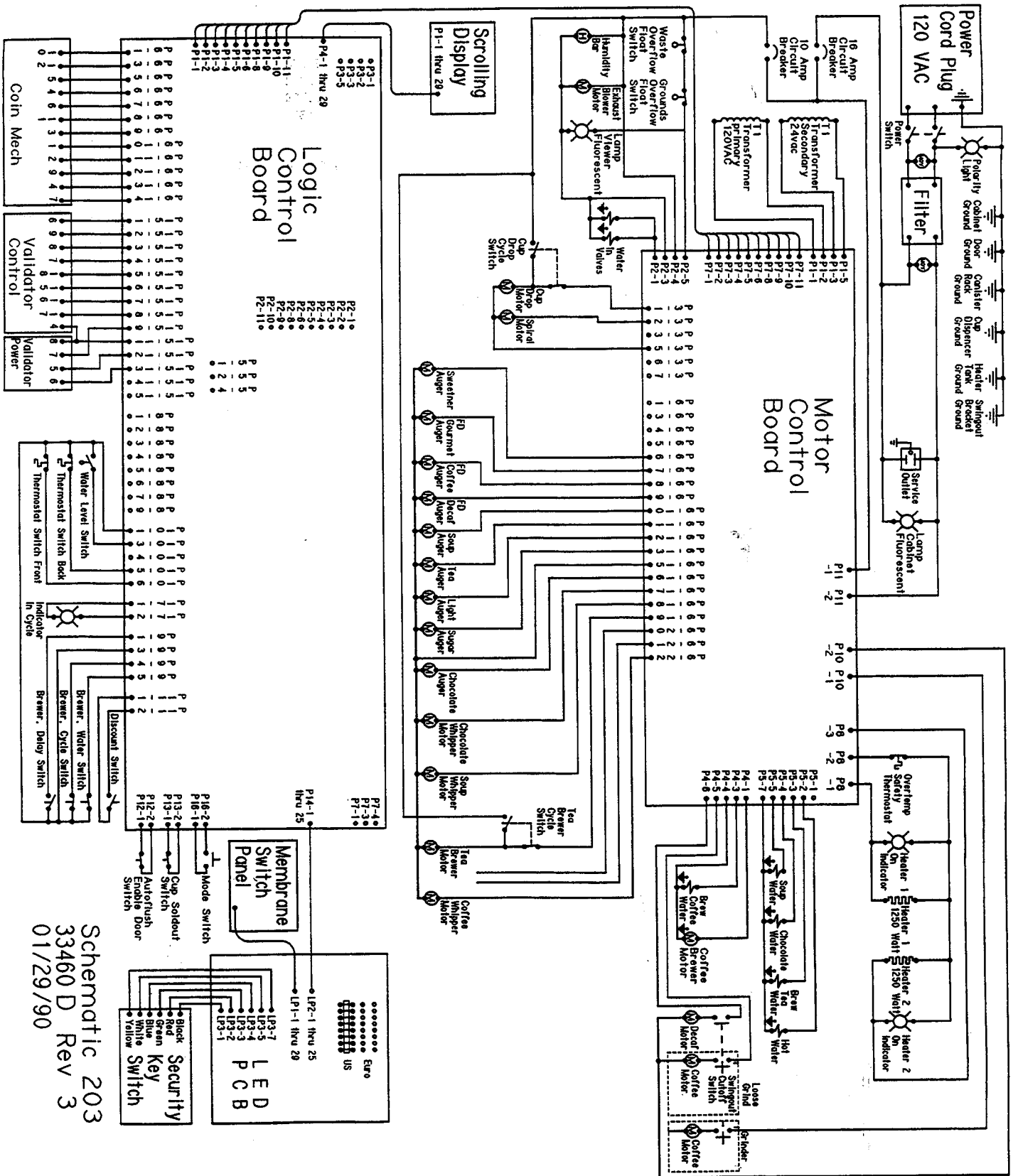
1.	PLATE, RETAINER FITTING, WATER INLET	26444
2.	RING, RETAINING, 'E', 15/16, WATER INLET	17521-5
3.	ADAPTER, WATER INLET	25886
4.	WASHER, 1/4 FLARE, NYLON	34045
5.	ELBOW, 3/8 MFL X 3/8 NPT, BRASS	17357
6.	SCREW, 8-32 X 3/8, HH, ZP, F, SD WA	14806
7.	TUBE ASM, WATER INLET TO FILTER	18790
8.	ELBOW, 3/8 MPT X 3/8 MFL	06225
9.	NIPPLE, 3/8 X 2 1/2, BRASS	33135
10.	FILTER HEAD & RING ASM WITH BRACKET, EVERPURE ...	23281
11.	CARTRIDGE, EVERPURE FILTER	16991
12.	COIL, WHITE	16472
13.	SCREW	16493
14.	PLATE, HOLD-DOWN	16471
15.	GUIDE	16453
16.	SPRING	16452
17.	ARMATURE	16451
18.	DIAPHRAGM, LIFT	22247
19.	SCREEN, INLET VALVE	16476
20.	GASKET	16477
21.	FITTING, INLET	16478
22.	PLATE, MOUNTING	16479
23.	SCREW, MOUNTING PLATE	16489
24.	BODY, VALVE	16449
25.	GASKET	22771
26.	INSERT, FLOW WASHER SEAT	19817
27.	WASHER, FLOW, AL-8004, .75GPM, IDENTIFICATION MARK 'CM'	34108
28.	PLUG, SEAL	16474
29.	VALVE ASM, COMPLETE (INCLUDES ITEMS 12-28)	22242

ELECTRICAL ITEMS AND HARNESS LOCATIONS INSIDE CABINET

- | | |
|-----------------------------------|-------|
| 1. FILTER, LINE, EMI | 29003 |
| 2. TRANSFORMER, WIRED | 29978 |
| 3. HARNESS ASM, POWER CORD | 33739 |
| 4. SCREEN, EXHAUST, CABINET | 31830 |
| 5. LATCH ASM, DOOR LOCK | 30572 |

FOR MACHINES WITH ITEM 1 NOT IN POSITION SHOWN, SEE PAGE 8.01





Schematic 203
 33460 D Rev 3
 01/29/90

