

Koro Espresso UL 120V

USA English
Français



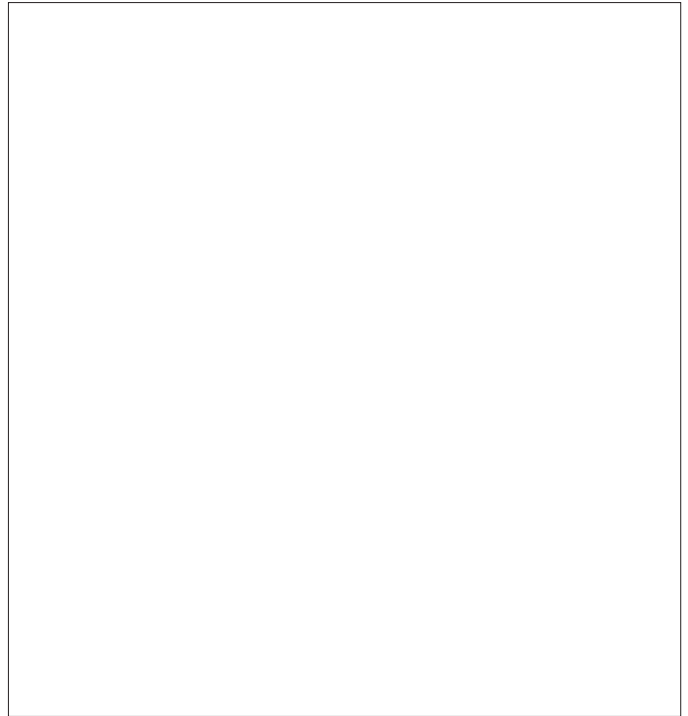
DOC. NO. **H 264V 00**
EDITION 1 12 - 2005

N&W GLOBAL VENDING S.p.A.

Sede legale: Via Roma 24
24030 Valbrembo (BG) Italia
Telefono +39 035 606111
Fax +39 035 606460
www.nwglobalvending.com

Cap. Soc. € 40.000.000 i. v.
Reg. Imp. Bergamo, Cod. Fisc. e Part. IVA: 03138870161
R.E.A. Bergamo n. 352618
Cod. ISO: IT 03138870161

DICHIARAZIONE DI CONFORMITA'
DECLARATION OF CONFORMITY
DÉCLARATION DE CONFORMITÉ
KONFORMITÄTSEKTLÄRUNG
DECLARACIÓN DE CONFORMIDAD
DECLARAÇÃO DE CONFORMIDADE
VERKLARING VAN OVEREENSTEMMING
INTYG OM ÖVERENSSTÄMMESE
OVERENSSTEMMESESERKLÆRING
YHDENMUKAISUUSTODISTUS



Valbrembo, 01/04/2005

Dichiara che la macchina descritta nella targhetta di identificazione, è conforme alle disposizioni legislative delle direttive: **98/37/CE, 89/336, 73/23 CEE** e successive modifiche ed integrazioni.

Declares that the machine described in the identification plate conforms to the legislative directions of the directives: **98/37/CE, 89/336, 73/23 EEC** and further amendments and integrations.

Déclare que l'appareil décrit dans la plaque signalétique satisfait aux prescriptions des directives: **98/37/CE, 89/336, 73/23 CEE** et modifications/intégrations suivantes.

Erklärt, daß das im Typenschild beschriebene Gerät den **EWG** Richtlinien **98/37/CE, 89/336, 73/23** sowie den folgenden Änderungen/Ergänzungen entspricht.

Declara que la máquina descrita en la placa de identificación, resulta conforme a las disposiciones legislativas de las directivas: **98/37/CE, 89/336, 73/23 CEE** y modificaciones y integraciones sucesivas.

Declara que o distribuidor descrita na chapa de identificação é conforme às disposições legislativas das directivas **98/37/CE, 89/336 e 73/23 CEE** e sucessivas modificações e integrações.

Verklaart dat de op de identificatieplaat beschreven machine overeenstemt met de bepalingen van de **EEG** richtlijnen **98/37/CE, 89/336 en 73/23** en de daaropvolgende wijzigingen en aanvullingen.

Intygat att maskinen som beskrivs på identifieringsskylten överensstämmer med lagstiftningsföreskrifterna i direktiven: **98/37/CE, 89/336, 73/23 CEE** och påföljande och kompletteringar.

Det erklæres herved, at automaten angivet på typeskiltet er i overensstemmelse med direktiverne **98/37/CE, 89/336 og 73/23 EU** og de senere ændringer og tillæg.

Forsikrer under eget ansvar at apparatet som beskrives i identifikasjonsplaten, er i overensstemmelse med vilkårene i EU-direktivene **98/37/CE, 89/336, 73/23** med endringer.

Vahvistaa, että arvokyltissä kuvattu laite vastaa **EU-direktiivien 98/37/CE, 89/336, 73/23** sekä niihin myöhemmin tehtyjen muutosten määräyksiä.


ANTONIO CAVO
C.E.O

®



THE INTERNATIONAL CERTIFICATION NETWORK

CERTIFICATE

IQNet and its partner
CISQ/IMQ-CSQ

hereby certify that the organization

N&W GLOBAL VENDING SPA

VIA ROMA 24 - 24030 VALBREMBO (BG) Italy

VIA DEL CHIOSO ANG. CAPITANI DI MOZZO - 24030 MOZZO (BG) Italy

for the following field of activities

Design, manufacturing and sale of electronic/electromechanical vending machines

Refer to quality manual for details of applications to ISO 9001:2000 requirements

has implemented and maintains a

Quality Management System

which fulfills the requirements of the following standard

ISO 9001:2000

Issued on: 2005 - 07 - 11

Registration Number: **IT - 12979**



Fabio Roversi
President of IQNet



Gianrenzo Prati
President of CISQ

IQNet partners:*

AENOR Spain AFAQ France AIB-Vincotte International Belgium ANCE Mexico APCER Portugal CISQ Italy CQC China COM China COS Czech Republic DQS Germany DS Denmark ELOT Greece FCVY Brazil FONDONORMIA Venezuela HQAA Hong Kong ICONTEC Colombia IMAC Mexico IRAM Argentina IQA Japan KEMA Netherlands KCO Korea MSZT Hungary Nemko Certification Norway NSAI Ireland DQS Austria PCB Poland PSB Certification Singapore QMI Canada RR Russia SAI Global Australia SES Finland SHI Israel SIQ Slovenia SQS Switzerland SRAC Romania TEST St Petersburg Russia IQNet is represented in the USA by the following partners: AFAQ, AIB-Vincotte International, CISQ, DQS, KEMA, NSAI, QMI and SAI Global

**The list of IQNet partners is valid at the time of issue of this certificate. Updated information is available under www.iqnet-certification.com*

CISQ is a member of
IQNet
INTERNATIONAL CERTIFICATION NETWORK
www.iqnet-certification.com

IQNet, the association of the world's first class certification bodies, is the largest provider of management system certification in the world. IQNet is comprised of more than 30 bodies and counts over 150 subsidiaries all over the globe.



www.imq.it

CERTIFICATO N. 9191.ZAV2
CERTIFICATE N.

SI CERTIFICA CHE IL SISTEMA DI GESTIONE AMBIENTALE DI
WE HEREBY CERTIFY THAT THE ENVIRONMENTAL MANAGEMENT SYSTEMS OPERATED BY

N&W GLOBAL VENDING SPA
VIA ROMA 24 - 24030 VALBREMBO (BG)

SITI
SITES

VIA ROMA 24 - 24030 VALBREMBO (BG)
E' CONFORME ALLA NORMA
IS IN COMPLIANCE WITH THE STANDARD

ISO 14001

PER LE SEGUENTI ATTIVITA'
FOR THE FOLLOWING ACTIVITIES

Progettazione, produzione e vendita di apparecchiature elettromeccaniche/elettroniche per distribuzione automatica e ristorazione

Electronic/electromechanical vending machines

IL PRESENTE CERTIFICATO E' SOGGETTO AL RISPETTO DEL REGOLAMENTO
PER LA CERTIFICAZIONE DEI SISTEMI QUALITA' E DI GESTIONE DELLE AZIENDE
THE USE AND THE VALIDITY OF THE CERTIFICATE SHALL SATISFY THE REQUIREMENTS
OF THE RULES FOR THE CERTIFICATION OF COMPANY QUALITY AND MANAGEMENT SYSTEMS

PRIMA EMISSIONE
FIRST ISSUE
1997-12-19

EMMISSIONE CORRENTE
CURRENT ISSUE
2005-07-11

IMQ S.p.A. - VIA QUINTILIANO, 43 - 20138 MILANO

CISQ è la Federazione Italiana di Organismi di Certificazione del Sistema di Gestione Ambientale
CISQ is the Italian Federation of management system Certification Bodies



www.cisq.com



SINCERT
SISTEMI INTEGRATI
CERTIFICAZIONE
SISTEMI INTEGRATI

Autoregistrato al Tribunale di Milano - Registro Imprese - 02/08000000100

English

TABLE OF CONTENTS

INTRODUCTION	PAGE 2	NOTES ON PROGRAMMING	PAGE 16
IDENTIFICATION OF THE VENDING MACHINE	PAGE 2	POWER ON	PAGE 16
IN CASE OF FAILURE	PAGE 2	OPERATING MODES	PAGE 16
TRANSPORT AND STORAGE	PAGE 2	NORMAL OPERATING MODE	PAGE 16
POSITIONING THE VENDING MACHINE	PAGE 3	SURFING MODE	PAGE 17
WARNING FOR INSTALLATION	PAGE 3	FILLER MENU	PAGE 17
PRECAUTIONS IN USING THE MACHINE	PAGE 3	STATISTICS	PAGE 17
WARNING FOR SCRAPPING	PAGE 3	SELECTION PRICES	PAGE 18
TECHNICAL SPECIFICATIONS	PAGE 3	CHANGE TUBES CONTROL	PAGE 18
POWER CONSUMPTION	PAGE 4	DISPLAYING THE TEMPERATURE	PAGE 18
ACCESSORIES	PAGE 4	TEST DISPENSING	PAGE 18
LOADING AND CLEANING	PAGE 5	GSM PRE-ALARMS	PAGE 19
MAINS SWITCHES	PAGE 5	EVADTS TRANSFER	PAGE 19
HYGIENE AND MAINTENANCE	PAGE 5	FILLER MENU MASKING	PAGE 19
USING THE VENDING MACHINE	PAGE 6	TECHNICIAN MENU	PAGE 19
CONTROLS AND INFORMATION	PAGE 6	FAILURES	PAGE 20
LOADING COFFEE	PAGE 6	PROGRAMMING PARAMETERS	PAGE 21
LOADING INSTANT PRODUCTS	PAGE 6	STATISTICS	PAGE 25
SERVICE FUNCTIONS	PAGE 7	TEST	PAGE 25
FILLING THE WATER SUPPLY TANK	PAGE 7	MISCELLANEOUS	PAGE 26
CLEANING THE WASTE TRAYS	PAGE 7	MAINTENANCE	PAGE 27
DISASSEMBLING AND CLEANING THE MIXERS	PAGE 8	INTRODUCTION	PAGE 27
CLEANING THE COFFEE UNIT	PAGE 8	BREWER UNIT MAINTENANCE	PAGE 27
SUSPENDING FROM USE	PAGE 8	SANITISING THE MIXERS	PAGE 28
INSTALLATION	PAGE 9	PERIODICAL CLEANING	PAGE 29
MAINS SWITCHES	PAGE 9	PRINTED BOARD FUNCTIONS AND INDICATOR LAMPS	PAGE 30
UNPACKING THE VENDING MACHINE	PAGE 9	ACTUATION BOARD	PAGE 30
CONNECTION TO THE WATER MAINS	PAGE 9	PUSH-BUTTON BOARD	PAGE 31
CONNECTING TO THE POWER SUPPLY	PAGE 10	BOILER CONTROL BOARD	PAGE 31
INSTALLING THE PAYMENT SYSTEM	PAGE 11	PAYMENT SYSTEMS BOARD	PAGE 31
WATER SOFTENER UNIT	PAGE 11	HYDRAULIC SYSTEM	PAGE 32
INSERTING THE LABELS	PAGE 11	PROGRAMMING MENU SUMMARY	PAGE 33
INITIALISING	PAGE 12	WIRING DIAGRAM	PAGE 88
FILLING THE WATER SYSTEM	PAGE 12		
COFFEE UNIT OPERATION	PAGE 13		
COFFEE DISPENSING CYCLE	PAGE 13		
DECAFFEINATED DISPENSING CYCLE	PAGE 14		
CHECKING AND ADJUSTING THE MACHINE SETTINGS	PAGE 14		
STANDARD SETTINGS	PAGE 14		
ADJUSTING THE BREWING CHAMBER VOLUME	PAGE 14		
WATER TEMPERATURE CONTROL	PAGE 15		
ADJUSTING THE GRADE OF GRINDING	PAGE 15		
ADJUSTING THE COFFEE DOSE	PAGE 15		

INTRODUCTION

This technical documentation is part and parcel of the vending machine and must always follow the machine in case it is moved or transfer of ownership, so as to allow consultation by different operators.

Before starting installation and using the machine, it is first necessary to carefully read and understand the instructions contained in this manual, as they offer important information on installation safety, operating instructions and maintenance.

This manual is divided into three chapters.

The **first chapter** describes the loading and routine maintenance operations which are carried out in areas of the machine accessible with simple use of the door key, without using any other tools.

The **second chapter** contains the instructions for correct installation and all information necessary for optimum use of the machine.

The **third chapter** describes maintenance operations which involve the use of tools to access potentially dangerous areas.

The operations described in the second and third chapters must be carried out only by personnel who have the specific knowledge of the machine functioning from a point of view of electrical safety and health regulations.

IDENTIFICATION OF THE VENDING MACHINE AND ITS CHARACTERISTICS

Every machine is identified by its own serial number, indicated on the rating plate attached inside the cabinet on the right side.

This plate (see Figure below) is the only one acknowledged by the manufacturer and indicates all of the data which readily and safely gives technical information supplied by the manufacturer. It also assists in spare parts management.

IN CASE OF FAILURE

In most cases, any technical problems are corrected by small repair operations; however, before contacting the manufacturer we recommend that this manual be read carefully.

Should there be serious failures or malfunctions, contact the following:

N&W GLOBAL VENDING SpA
Via Roma 24
24030 Valbrembo
Italy - Tel. +39 - 035606111

TRANSPORT AND STORAGE

To prevent any damage, special care should be taken when loading or unloading the vending machine.

The machine can be lifted by a motor-driven or manual fork lift truck, and the blades are to be placed underneath the machine.

Do not:

- overturn the vending machine;
- drag the vending machine with ropes or similar;
- lift the vending machine by its sides;
- lift the vending machine with slings or ropes;
- shake or jolt the vending machine and its packing.

The machine should be stored in a dry room where the temperature remains between 0°C and 40°C.

Using the original packing, no more than 2 machines can be stacked one on top of the other and must always kept upright as indicated by the arrows on the packing.

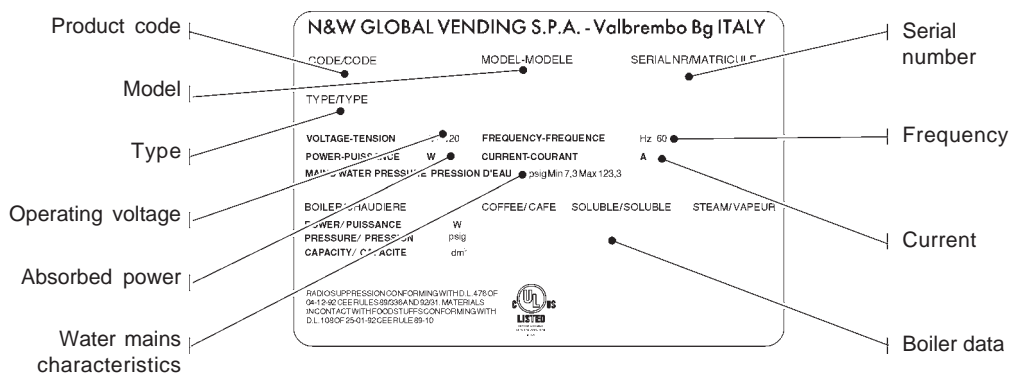


Fig. 1

POSITIONING THE VENDING MACHINE

The vending machine is not suitable for outdoor installation. It must be positioned in a dry room where the temperature remains between 2°C and 32°C, and not where water jets are used for cleaning (e.g. in large kitchens, etc.).

The machine can be placed close to a wall, but with the back panel at a distance of at least 4 cm from it to ensure correct ventilation. The machine must never be covered with cloth or the like.

The machine should be positioned on a level surface.

Important notice!!

Access to the machine interior for maintenance and/or repairs is via the back panel and from the side panels. Therefore the machine is designed to be rotated, thus allowing removal of the back panel and of the side panels.

Installation on a cabinet

The machine can be installed on a table or on any other suitable stand (recommended height is 830).

If possible, it is advisable to use the special cabinet, which can house the liquid waste tray, the water supply kit, the payment system and, in the case of very hard water, the softener unit.

WARNING FOR INSTALLATION

The machine installation and the following maintenance operations should be carried out by qualified personnel only, who are trained in the correct use of the machine according to the standards in force.

The machine is sold without payment system, therefore the installer of such system has sole responsibility for any damage to the machine or to things and persons caused by faulty installation.

The integrity of the machine and compliance with the standards of the relevant systems must be checked at least once a year by qualified personnel.

All packing materials shall be disposed of in a manner which is safe for the environment.


PRECAUTIONS IN USING THE MACHINE

The following precautions will assist in protecting the environment:

- use biodegradable products only to clean the machine;
- adequately dispose of all containers of the products used for loading and cleaning the machine;
- switch the machine off during periods of inactivity, thus achieving considerable energy savings.

WARNING FOR SCRAPPING



The symbol  indicates that the machine may not be disposed of as ordinary waste; it must be disposed of in accordance with the provisions of the European directive 2002/96/CE (Waste Electrical and Electronics Equipments - WEEE) and of any resulting national laws, for preventing any possible negative consequences to the environment and to health.

For correct disposal of the machine, contact the dealer from whom you have purchased the machine or our after-sales service.

TECHNICAL SPECIFICATIONS

DIMENSIONS

Height	500	mm
Width	331	mm
Depth	528	mm
Overall depth with door open	724	mm
Weight	27	Kg
Power supply voltage	120	V~
Power supply frequency	60	Hz
Installed power	1400	W

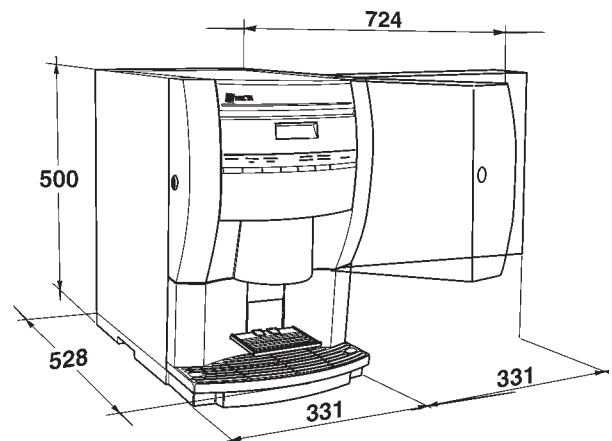


Fig. 2

PAYMENT SYSTEM

Using special kits, the machine can be fitted with payment systems with MDB protocol.

The payment systems must be housed in the special side module (optional).

SALE PRICES

A different programmable price can be set for each selection;
the standard setting has the same sales price for all selections.

WATER SUPPLY

From the mains, with a pressure of 7.3 to 123.3 psig (0.5 to 8.5 bar).

AVAILABLE ADJUSTMENTS

Grade of grinding for espresso coffee.

Espresso coffee dose

Water doses by volume.

Time adjustment for instant product doses.

Water temperature adjusted via software.

CONTROLS

- Presence of water
- Presence of coffee
- Operating temperature reached

SAFETY DEVICES

- Main switch
- Door switch
- top panel switch
- Presence of solid waste tray
- Presence of liquid waste container
- Manual-reset boiler safety thermostat
- Air-break float jammed
- Overflow solenoid valve
- Timer protection for:
 - Pump
 - Coffee unit ratiomotor
 - Coffee grinder
- Overheating protection for:
 - Doser units
 - Coffee unit ratiomotor
 - Magnets
 - Pump
 - Electric mixers
 - Coffee grinder motor
- Fuse protection for
 - Main electrical circuit
 - Board power supply transformer

CAPACITY OF CONTAINERS

Coffee beans 350 gr

Milk 600 gr

POWER CONSUMPTION

The machine power consumption depends on many factors, such as the temperature and ventilation of the room where it is installed, the inlet water and boiler temperature, etc.

With an ambient temperature of 22° C the following power consumption levels resulted:

To reach operating temperature 64 W/h

For 24 h in stand-by 1135 W/h

The above power consumption calculated from average data should only be taken as an indication.

ACCESSORIES

A wide range of accessories can be installed on the machine to vary its performance:

The installation kits are supplied with their own installation and test instructions, which must be strictly observed to ensure the machine safety.

Important notice!!

The use of kits which are not approved by the manufacturer of the vending machine does not guarantee compliance with safety standards, especially for energised parts.

The manufacturer declines all responsibility for the use of non approved components.

Installation and the following testing operations must be carried out exclusively by personnel who have a specific knowledge of the machine functions from a point of view of electrical safety and health regulations.

Chapter 1 LOADING AND CLEANING

MAINS SWITCHES

General

A general switch is fitted outside the machine, disconnecting the power from the machine without having to open the door.

The terminal strip supporting the line cable, the fuses and the noise suppressor stay energised in any case.

Door

When opening the door a special switch disconnects the power from the machine electrical system to allow the operations described below, regarding loading and routine cleaning, in full safety.

Top panel

Also when opening the machine top panel, a switch disconnects the power, allowing loading operations in a safe condition.

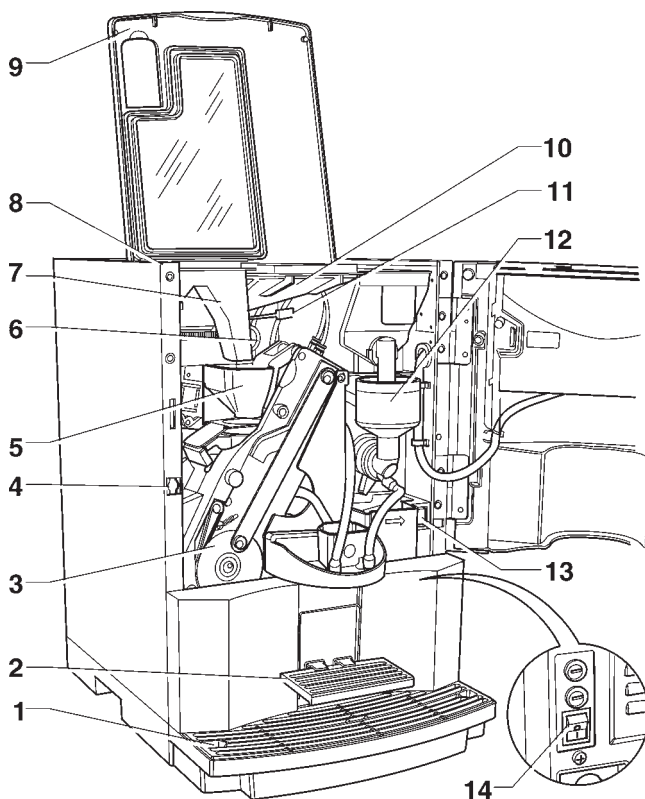


Fig. 3

- 1 - Liquid waste tray
- 2 - Tilting cup support
- 3 - Brewer unit
- 4 - Door switch
- 5 - Coffee funnel
- 6 - Grinding adjustment knob
- 7 - Chute for decaffeinated coffee
- 8 - Top panel switch
- 9 - Machine top panel
- 10 - Coffee beans hopper
- 11 - Coffee container shutter
- 12 - Instant prod. mixer
- 13 - Spouts tray release button
- 14 - Main external switch

All operations requiring the machine to be energized should be carried out **EXCLUSIVELY** by qualified personnel, informed about the specific risks of such situation.

HYGIENE AND MAINTENANCE

According to current safety and health rules and regulations, the operator of an automatic vending machine is responsible for the hygiene of materials that come in contact with foodstuff; therefore he must carry out maintenance on the machine to prevent the formation of bacteria.

At installation the hydraulic circuits and the parts in contact with foodstuff should be fully sanitised to remove any bacteria which might have formed during storage.

The machine is not suitable for outdoor installation, it must be installed in a dry room where the temperature remains between 2°C and 32°C.

It is advisable that specific sanitising products are used for cleaning also the surfaces which are not directly in contact with foodstuff.

Some parts of the machine can be damaged by strong detergents.

The manufacturer declines all responsibility for damage caused by non-compliance with the above instructions or by the use of strong or toxic chemical agents.

Before starting any maintenance operations requiring parts of the unit to be removed, the machine must always be switched off.

Do not use sprayed water for cleaning the machine.

USING THE VENDING MACHINES FOR HOT DRINKS IN OPEN CONTAINERS

(Ex.: plastic cups, ceramic cups, jugs)

Vending machines for drinks in open containers should be used only to sell and dispense drinks obtained by:

- brewing coffee
- reconstituting instant and lyophilised products.

These products should be declared by the manufacturer as "suitable for automatic vending" in open containers.

The dispensed products should be consumed immediately. They should never be preserved and/or packed for later consumption.

Any other use is unsuitable and thus potentially dangerous.

CONTROLS AND INFORMATION

The machine should operate at an ambient temperature of 2°C to 32°C.

The labels with the selection menu and the operating instructions supplied with the machine must be inserted at the time of installation, referring to the selection dose table.

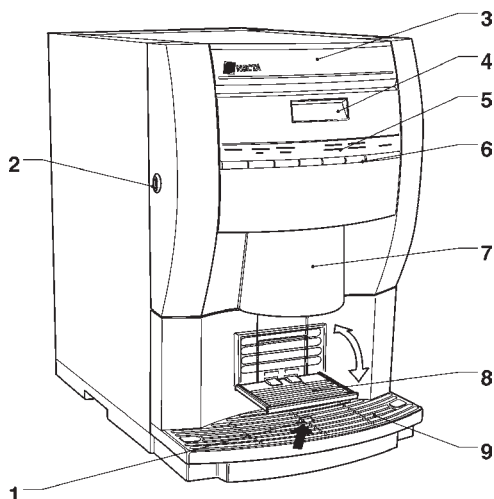


Fig. 4

- 1 - Red float signal
- 2 - Lock
- 3 - Logo label
- 4 - Alphanumeric display
- 5 - Selection menu label
- 6 - Selection buttons
- 7 - Dispensing spouts
- 8 - Tilting cup support
- 9 - Liquid waste tray

The user controls and information are located on the outside of the door (see Fig. 4).

The Programming button, to access the machine functions, and mixer cleaning button are located inside the machine on the right-hand side of the push-button card.

In order to access the programming menus, press the programming button located on the push-button card. At this point the machine goes into "Filler menu" mode. The selection buttons are used for surfing through the different menus.

NOISE LEVEL

The continuous, weighted equivalent acoustic pressure level is below 70 dB.

LOADING COFFEE

The cover can be opened only with the door open.

Lift the cover and fill the hopper with coffee, ensuring that the shutter is fully open (see Fig. 5).

It is advisable to use good quality coffee to avoid malfunctions to the machine caused by the presence of impurities.

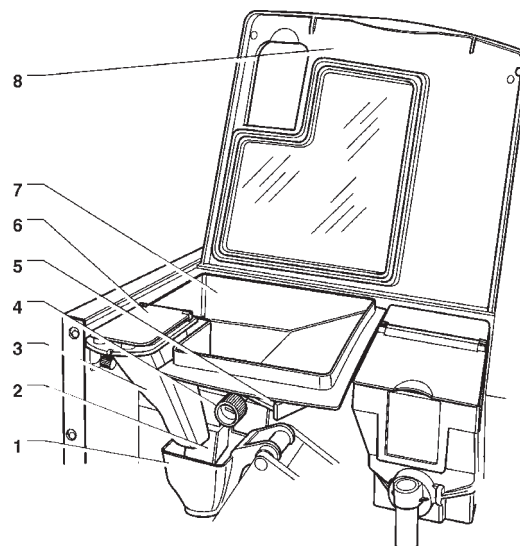


Fig. 5

- 1 - Coffee funnel
- 2 - Coffee chute
- 3 - Decaffeinated chute
- 4 - Grinding adjustment knob
- 5 - Coffee container shutter
- 6 - Decaffeinated loading hatch
- 7 - Coffee hopper
- 8 - Machine top panel

LOADING INSTANT PRODUCTS

Open the machine top panel and lift the relevant container lid, fill the single containers with the appropriate products, taking care not to compress them to prevent packing. Make sure the products do not contain any clots. Carefully close the lid, ensuring it is properly secured.

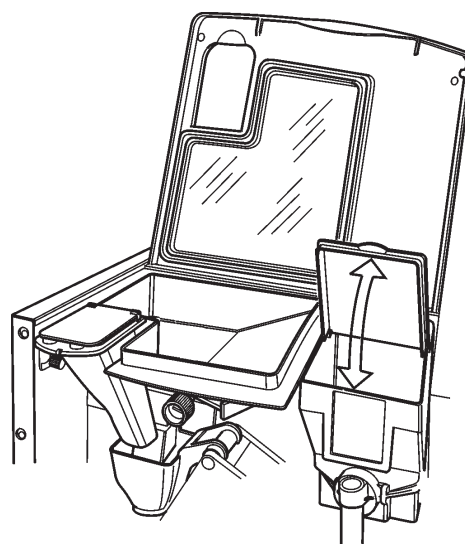


Fig. 6

SERVICE FUNCTIONS

Some operations, if enabled from the programming menu, can be carried out directly with the door closed entering a password (pressing 5 buttons in a sequence) after pressing button 7 for more than two seconds.

The possible operations are as follows:

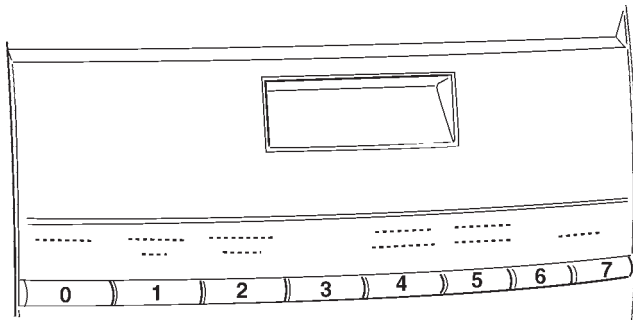


Fig. 7

- consecutive dispensing of several selections in a jug (jug facilities);
- free dispensing of a selection;
- keypad operation lock/unlock. With the keypad lock on, the display will indicate "SUSP. SERVICE"
- Mixer wash. The operation must be carried out daily and every time the machine is refilled to prevent clogging of the mixer if any product is accidentally spilled during refilling.

FILLING THE WATER SUPPLY TANK

For the machine using a water tank (optional) located in the base cabinet or inside or outside the machine, the tank must be cleaned at least once a week.

CLEANING THE WASTE TRAYS

The waste trays can be easily removed even with the door closed (see Fig. 8) permitting quick emptying and cleaning. The coffee container capacity is greater than that of the waste tray (if the support cabinet is not used).

The machine control software indicates on the display that the maximum number of selections has been reached with the message "Waste tray full".

After a few further selections the machine will lock.

The waste tray must be emptied **without switching the machine off** (with the door closed), to allow the software to detect the operation.

With the solid waste tray removed, the machine is still available for instant drink selections but indicating the message "Insert waste tray" on the display and the counters are reset.

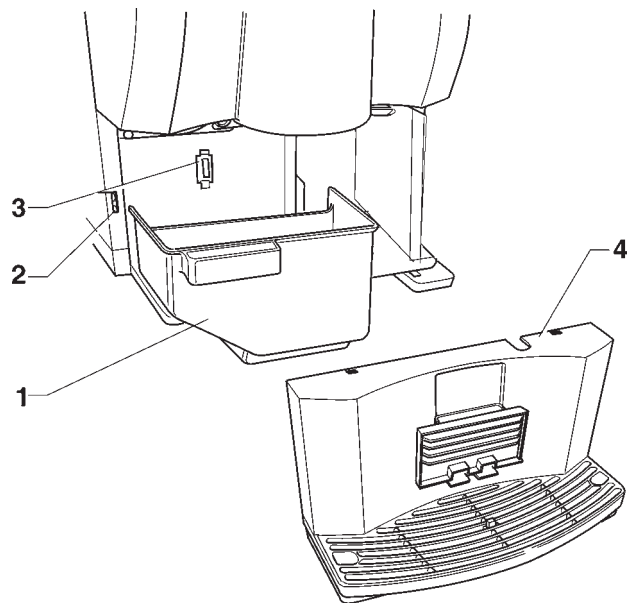


Fig. 8

- 1 - Solid waste tray
- 2 - Liquid waste tray detection switch
- 3 - Solid waste tray detection switch
- 4 - Liquid waste tray

DISASSEMBLING AND CLEANING THE MIXERS

When installing the machine, and then at least once a week or even more frequently according to the use of the machine and the quality of the inlet water, the mixers and the dispensing conduits must be thoroughly sanitised (cleaned and disinfected), to guarantee proper hygiene of the dispensed products.

The parts to be cleaned are as follows:

- powder deposit drawers, mixer and instant drink dispensing conduit;
- dispensing spouts;
- spout support tray;
- remove the powder and the water funnels, the feeders, the powder deposit drawers and the mixer wheels from the mixers (see Fig. 9);

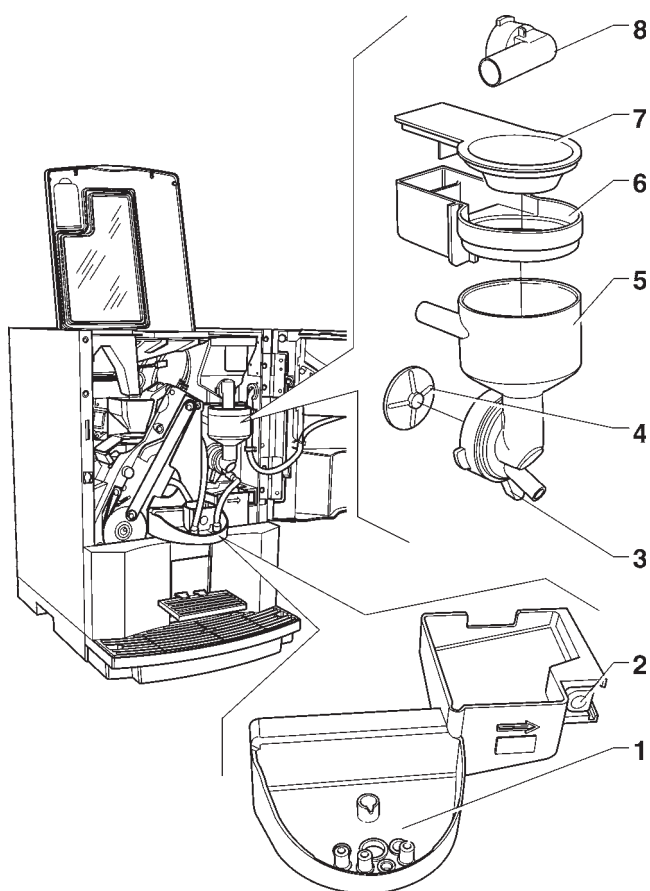


Fig. 9

- 1 - Dispensing spouts
- 2 - Spouts support release button
- 3 - Funnel securing ring nut
- 4 - Mixer wheel
- 5 - Water funnel
- 6 - Powder deposit drawer
- 7 - Product funnel
- 8 - Product conveying dispensing pipette

- in order to remove the water funnel, rotate the green ring nut clockwise;

pay special attention to closing it fully during reassembly;

- in order to remove the impellers, block the disk fitted on the mixer shaft with a finger (see Fig. 10 and 11).

Fig. 10

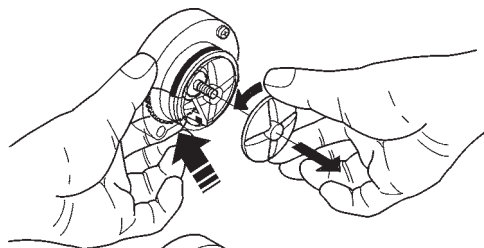
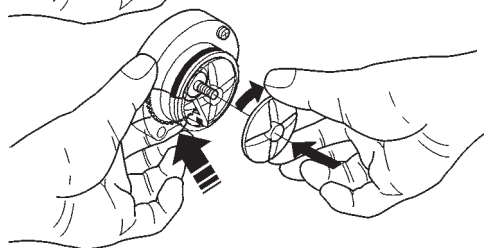


Fig. 11



CLEANING THE COFFEE UNIT

Every time coffee is refilled, or at least once a week, any powder residue should be removed from the external parts of the coffee unit, particularly from the coffee funnel area (see Fig. 24), using a brush or a small vacuum cleaner.

SUSPENDING FROM USE

If for any reason the machine is switched off for a period exceeding the use-by date of the products, the following will be necessary:

- completely empty the containers and thoroughly wash them with the sanitising products used to clean the mixers;
- completely empty the grinder by dispensing coffee until the empty condition is indicated.
- completely empty the hydraulic system.

Chapter 2 INSTALLATION

Installation and the following maintenance operations should be carried out with the **machine switched on** and therefore by qualified personnel only, who are trained in the correct use of the machine and informed about the specific risks of such situation.

The machine is not suitable for outdoor installation, it must be installed in a dry room where the temperature remains between 2°C and 32°C.

The machine cannot be installed where water jets are used for cleaning.

At installation the hydraulic circuits and the parts in contact with foodstuff should be fully sanitised to remove any bacteria which might have formed during storage.

MAINS SWITCHES

General

A general switch is fitted outside the machine, disconnecting the power from the machine without having to open the door.

The terminal strip supporting the line cable, the fuses and the noise suppressor stay energised in any case.

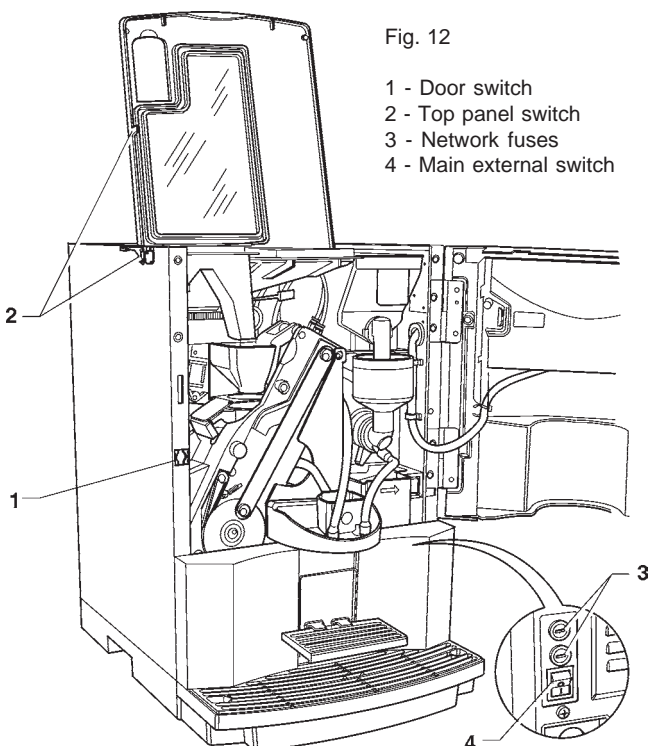
Door

When opening the door a special micro-switch disconnects the power from the machine electrical system.

To energize the system with the open door, simply insert the special key into the slot (see Fig. 12).

Top panel

Also when opening the machine top panel, a switch disconnects the power, allowing loading operations in a safe condition.



The switch on key **MUST NOT** be left inside the machine, it must be kept by the qualified personnel trained in the use of the machine.

With the door open, there is no access to energised parts. Inside the machine, the only parts that stay energised are those protected by covers and carrying a plate with the warning “Disconnect the power before removing the protective cover”.

Before removing such covers disconnect the power supply cable from the grid.

The door can be closed only after removing the yellow key from door switch and closing the machine top panel.

UNPACKING THE VENDING MACHINE

After removing the packing, ensure that the machine is intact.

If in doubt do not use the machine.

No packing elements (i.e. plastic bags, polystyrene foam, nails, etc.) should be left within the reach of children, as they are potentially dangerous.

Packing materials must be disposed of in authorised containers and the recyclable ones must be recovered by qualified companies.

Important notice!!

The machine should be positioned on a level surface.

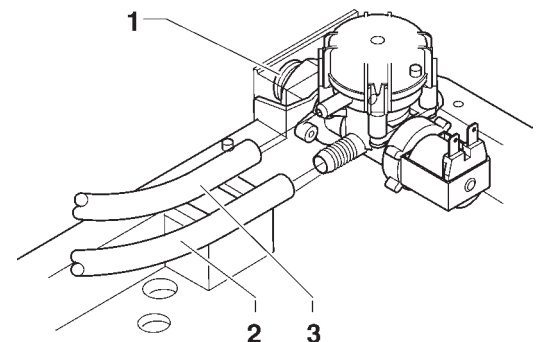
CONNECTING THE MACHINE TO THE WATER MAINS

Some models can be connected to the drinking water mains, taking into account law provisions in force in the country where the machine is installed.

The water pressure must be 7.3 to 123.3 psig (0.5-8.5 bar). Run some water from the mains until it is clear and without impurities.

Use a hose (also available as a kit) capable of withstanding the water mains pressure and suitable for use with foodstuff (min. inside diameter of 6 mm) to connect the water supply to the union (3/4" gas) of the water inlet solenoid valve (see Fig. 13).

It is good practice to install the water supply tap outside the machine in an easily accessible position.



OVERFLOW DEVICE

The water inlet solenoid valve (see Fig. 13) is equipped with an overflow device which mechanically stops the water inlet if there is a malfunction in the solenoid valve or in the boiler water level control device.

To restore normal operation, proceed as follows:

- drain the water contained in the overflow hose;
- shut off the water supply using the tap outside the machine;
- loosen the nut which secures the solenoid valve supply hose to relieve the water mains residual pressure and then tighten again (see Fig. 13);
- open the tap and switch the machine on.

CONNECTING THE MACHINE TO THE POWER SUPPLY

The machine is designed to operate under a single-phase 120 V~ voltage and is protected by 15 A fuses.

Do not connect the machine to a circuit operating at more than 150 V to ground.

Before making the connection, ensure that the rating corresponds to that of the power grid, and more specifically:

- the supply voltage rating must be within the range recommended for the connection points;
- the main switch should be capable of withstanding the peak load required, and at the same time ensure proper omnipolar disconnection from the power grid with an opening gap of the contacts of at least 3 mm.

The switch, the power outlet and the plug must be located in an easily accessible position, so that the cable can be disconnected in the event of intervention..

The power supply cable is of the type with a fixed plug. Any replacement of the power supply cable (see Fig. 14) should be made by qualified personnel only, using cables of the type UL SJTO 3x16 AWG.

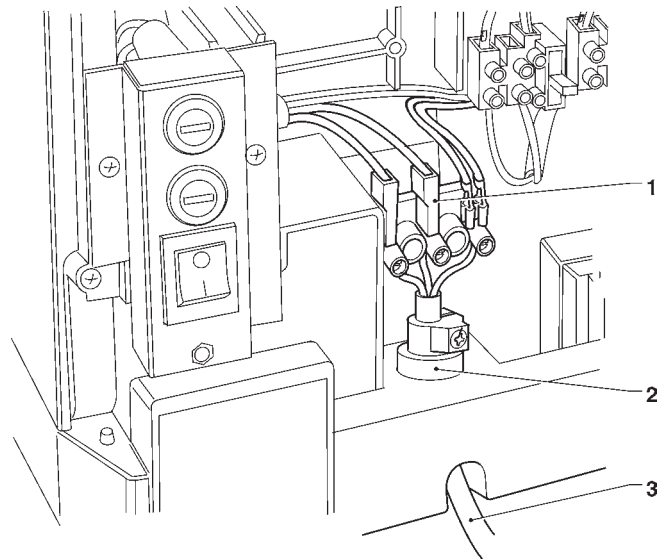


Fig. 14

- 1 - Connection terminal strip
- 2 - Cable clamp
- 3 - Cable from the mains

The electrical safety of the machine is ensured only when it is correctly earthed according to the safety standards in force.

This fundamental safety requirement must be duly verified, and if in doubt the system must be carefully tested by qualified technicians.

Do not use adapters, multiple sockets and/or extensions.

Before switching the machine on, be sure it is correctly connected to the water mains and the cut-off valve is open.

THE MANUFACTURER DECLINES ALL RESPONSIBILITY FOR ANY DAMAGE CAUSED BY NON-COMPLIANCE WITH THE ABOVE MENTIONED SAFETY RULES.

INSTALLING THE PAYMENT SYSTEM

The machine is sold without payment system, therefore the installer of such a system is responsible for any damage to the machine or to things and persons caused by faulty installation.

Payments systems such as validators, “change-giver” and “cashless” can be installed by using the specific kits. Payment systems such as “change giver” must be physically housed in the special side module (optional).

WATER SOFTENER UNIT

The machine is sold without water softener. In the event of connection to very hard water, a water softener unit should be installed. The water softener, available as accessory, must be replaced or regenerated regularly following the directions from the manufacturer. Use water softeners with capacity that is adequate to the effective needs of the machine. In the event of water supply from the tank, the special filtering cartridges can be used. The cartridges must be replaced periodically according to the water quality and to the instructions from the manufacturer.

INSERTING THE PRODUCT LABELS

The menu and instruction labels are supplied with the machine and must be inserted at the time of installation according to the layout and to the language (see “selection dose” table). To access the label insertion slots, remove the side cover of the door, secured with two screws (see Fig. 15).

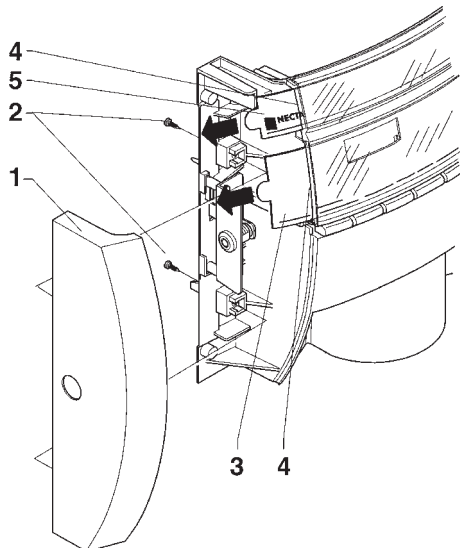
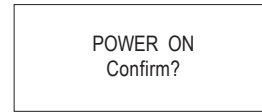


Fig. 15

- 1 - Side cover
- 2 - Fastening screws
- 3 - Selection menu label
- 4 - Slots for inserting the labels
- 5 - User instruction label

POWER ON

Before switching the machine on, ensure that the grounds trays and the container lids are into place. Each time the machine is switched on, the display shows the following message:

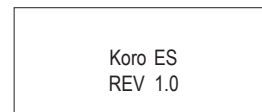


Press any selection button to continue. It is possible to program the machine to enable the function that displays the controls to be performed before starting the machine, and namely:

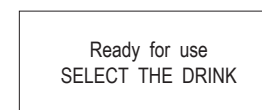
- Tubing (nozzles etc.)
- Mixers
- Powder feeder
- Coffee shutter
- Power on

For all controls the request “Confirm?” is indicated on the display.

Press any selection button to continue. The function of presenting the list of preliminary controls can be enabled (disabled by default) from the programming menu. At the end of the power on cycle, the display indicates the software version number to which referring for consulting the programming manual.



The machine can be programmed for displaying, for a few second, the number of selections made. After a few seconds the display shows the message:



INITIALISING

When the “Initialise” function is displayed the vending machine can be initialised restoring all default data.

This function should be used the first time the machine is switched on and in the event of a memory data error or reprogramming of the board.

All statistic information will be reset.

Press confirm button “**↵**” and the display will indicate the message “Confirm?”. Press button “**↵**” again to display the first variable parameter to define the machine configuration. The available options (blinking) can be scrolled with the “**↓**” and “**↑**” buttons, the selection is confirmed with button “**↵**” and the next parameter is presented. When pressing button “**↵**” after the last parameter the display will show the message “Working” for a few seconds and the machine is initialised.

The parameters are as follows:

“Country”	Type of doses to be used for the selections
“Layout”	Layout of containers and selection menu from the available ones
“Tank”	Water supply from the mains or from a tank

N.B.: When the machine is switched on for the first time or in any case after initialising, as well as the list of controls to be performed, also the language used for the messages on the display is proposed.

The available languages can be scrolled with the “**↓**” and “**↑**” buttons, and the selection is confirmed with button “**↵**”.

Unless the machine is initialised, the language request is not made again.

In any case it will be possible to change it through the specific function in the “Technician” menu.

FILLING THE WATER SYSTEM

If the machine is connected to the water mains, when it is switched on the conditions of air-break (full or empty), pump and boiler priming (pressure) are checked.

If required by the conditions, the machine will automatically start an installation cycle, and namely:

- the message “Installation” will be shown on the display for the entire duration of the cycle;
- the water mains solenoid valve is opened or the pump is started to fill the air-break;
- the milk solenoid valve is opened so that the air may be bled from the boiler and from the hydraulic system, and 400 cc. of water filled.

N.B.: If there is no waterflow from the mains during the installation cycle, the machine will stop until water is resumed or the machine is switched off.

IMPORTANT NOTICE!!!

If a considerable amount of air bubbles is formed in the water system, for example during maintenance, it is possible that an installation cycle is automatically started when the machine is switched on.

Versions with internal tank

For models with an internal tank, when the machine is first switched on, the installation procedure MUST BE carried out manually (see relevant chapter).

COFFEE UNIT OPERATION

COFFEE DISPENSING CYCLE

When confirming the switch on cycle of the machine, by pressing a selection button, the coffee unit is rotated completely before the normal cycle, to ensure that the device is in the correct start position.

When making a coffee selection, the grinder will run for the time necessary to fill the brewing chamber with the coffee dose set via software.

When the ground coffee dose is reached, the ratiomotor engaged with the handle (2) located outside the assembly rotates by 180°, making the brew chamber swing and lowering the upper piston (3) (see Fig. 16).

Due to the water pressure, the pre-brewing spring (7) sinks and the lower piston (4) goes down 3 mm, thus forming a water cushion which allows an even use of the coffee dose. At the end of the dispensing cycle and during a pause of 3 seconds, the pre-brewing spring (7) will discharge the water through the third way of the dispensing solenoid valve, lightly pressing the used coffee dose.

By completing its rotation, the ratiomotor makes the swinging lever (6) lift the pistons and the coffee dose.

At the same time, when the brewing chamber returns to its vertical position, the scraper on the coffee hopper stops the used coffee dose and drops it.

Pulled by the spring (5), the lower piston now returns to the bottom dead centre.

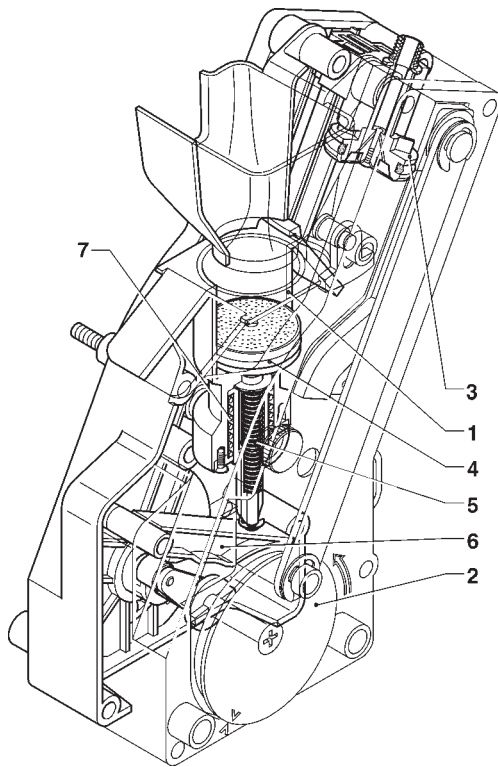


Fig. 16

- 1 - Brewing chamber
- 2 - Handle
- 3 - Upper piston
- 4 - Lower piston
- 5 - Piston return spring
- 6 - Swinging lever
- 7 - Pre-brewing spring

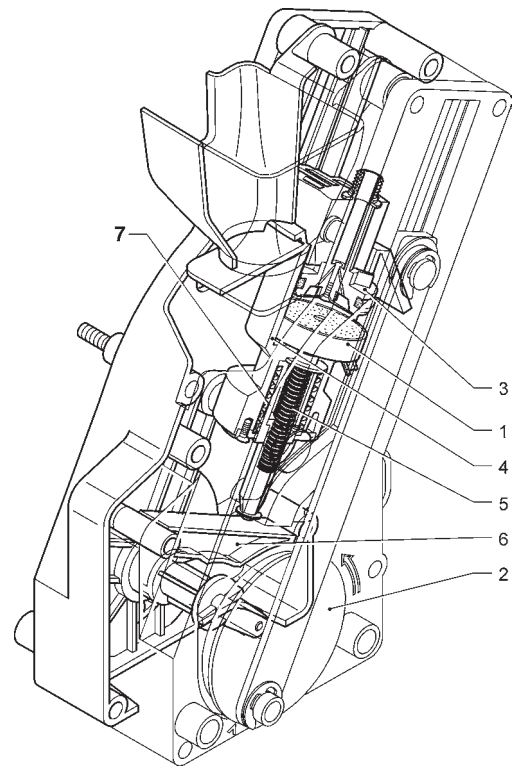


Fig. 17

- 1 - Brewing chamber
- 2 - Handle
- 3 - Upper piston
- 4 - Lower piston
- 5 - Piston return spring
- 6 - Swinging lever
- 7 - Pre-brewing spring

DECAFFEINATED DISPENSING CYCLE

The machine is supplied with a door, for manually inserting ground coffee, locked by default.

According to the location needs, it is possible to unlock the door to be able to manually insert decaffeinated coffee or similar.

It is necessary to ensure that other product types are not inserted.

The door for introducing the decaffeinated coffee is fitted with a magnet that, through a sensor located on the door, signals to the machine that the door was opened.

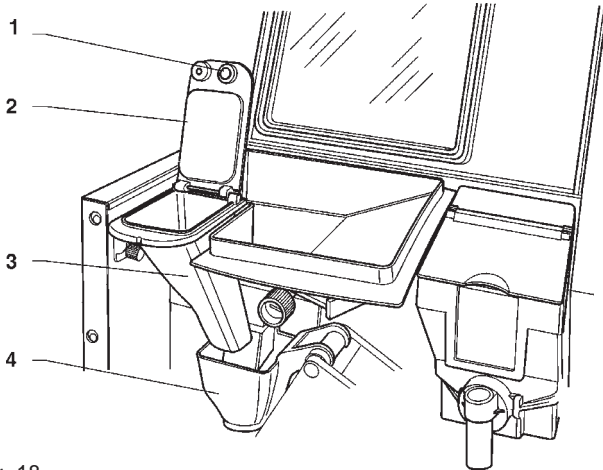
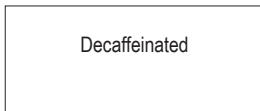


Fig. 18

- 1 - Door opening signalling magnet
- 2 - Decaffeinated door
- 3 - Decaffeinated funnel
- 4 - Coffee funnel

The display indicates the blinking message:



Decaffeinated coffee based selections are dispensed without running the coffee grinder.

The brewing cycle is the same as in the espresso coffee. By pressing the special "reset decaffeinated" button before dispensing the drink, the "decaffeinated" pre-selection is cancelled, the machine rotates the brewer unit and returns to normal operating mode.

CHECKING AND ADJUSTING THE MACHINE SETTINGS

To get the best results from the product used, the following should be checked:

That the used coffee dose is lightly compressed and damp.

The grade of grinding of ground coffee.

The dose weight of the instant products.

The drink temperature.

The water dose.

Should the standard settings need to be changed, proceed as indicated in the next sections of this manual.

The weight of products, the water dose and temperature are directly controlled by the microprocessor.

To adjust them it is therefore necessary to follow the programming procedures.

STANDARD SETTINGS

The vending machine is supplied with the following settings:

- coffee temperature (at the spout) approx. $70\div 80^{\circ}\text{C}$;
- instant product temperature (at the spout) $70\div 80^{\circ}\text{C}$ approx.;

The machine standard settings assign the same price to all selections, as indicated in the selection dose table.

ADJUSTING THE BREWING CHAMBER VOLUME

When the upper piston is correctly positioned, the coffee unit can operate with coffee doses of 7.5 to 10.5 gr.

To change the piston position (see Fig. 19) do as follows:

- remove the snap ring from its seat;
- place the piston in the proper adjusting notches:
 - .less deep notches for 9.5 to 9.5 gr doses (8 oz);
 - .deeper notches for 8.5 to 10.5 gr doses (12 oz).

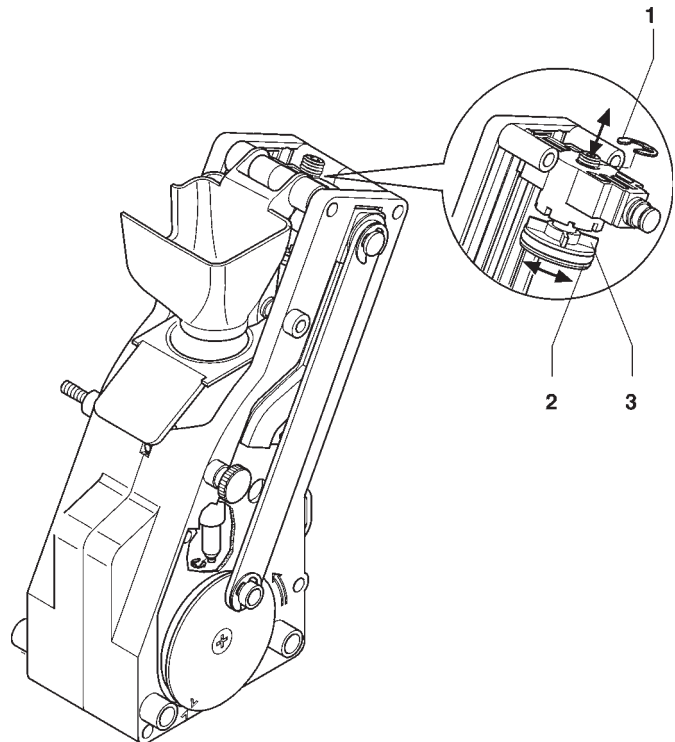


Fig. 19

- 1 - Snap ring
- 2 - Upper piston
- 3 - Reference fins

WATER TEMPERATURE CONTROL

The boiler temperature is controlled by the software and can be adjusted directly from the menu.

ADJUSTING THE GRADE OF GRINDING

When a variation in the grade of grinding is desired, turn the relevant adjusting knob on the grinder (see Fig. 20) and more specifically:

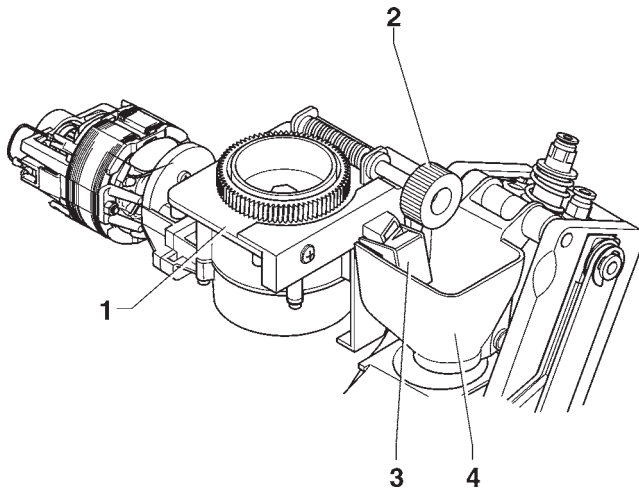


Fig. 20

- 1 - Coffee grinder
- 2 - Grinding adjusting knob
- 3 - Coffee conduit
- 4 - Coffee funnel

- turn the knob anticlockwise for coarser grinding;
- turn the knob clockwise for finer grinding.

For optimum results, it is advisable to vary the grade of grinding with the coffee grinder motor running.

N.B.: After adjustment of the grade of grinding, at least 3 test selections must be performed in order to check the new grade of grinding for ground coffee:

The finer the grade of grinding the longer the time necessary for dispensing the coffee and vice versa.

After the adjustment it will be necessary to check also the amount of ground coffee, which can have small variations.

ADJUSTING THE COFFEE DOSE

The grinder is fitted with a sensor that can count the number of rotations of the grinding wheels.

This allows the control software of the machine to determine the number of rotations, and therefore grams of coffee, for each single selection.

With the dose programming procedures (after setting the output of the grinder in gr/s) it will be possible to set the grams (7.5 to 10.5 gr) of ground coffee for each selection. To take the dose just remove the coffee unit and select the special item from "Special functions" of the "Technician" menu (see relevant section).

Important notice!!!

To refit the coffee unit, pay special attention to the piston position. Reference notches on the handle and on the unit case should match (see Fig. 24).

Notes on programming

The machine electronic control allows or not the use of many functions:

All of the available functions are described in the machine program, including the ones that are not used for the specific configuration of the model (layout).

The machine is supplied with a dose table, describing the different functions and layouts available for the specific model and the flowchart of the programming menu.

Below is listed a summary explanation of the main functions useful for managing the operation of the machine, not necessarily in the order in which they are displayed in the menu.

For further information and detailed explanations refer to the programming manual available through our sales organisation or at our after-sales service.

The software version can be updated using the specific systems (PC, Flash, Upkey etc.).

The messages on the display that indicate the current operation are fixed, while any action required by the user is blinking.

POWER ON

Each time the machine is energised, (if the function is enabled) the display presents the list of controls to be performed before starting the machine, and namely:

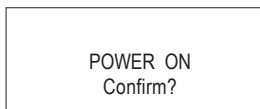
Tubing (nozzles etc.)

Mixers

Powder feeder

Coffee shutter

Power on

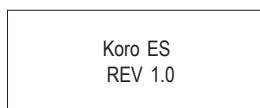


For all controls the request "Confirm?" is indicated on the display.

Press any selection button to continue.

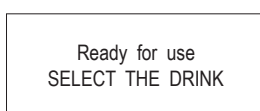
The function of presenting the list of preliminary controls can be enabled from the programming menu.

At the end of the power on cycle, the display indicates the software version number to which referring for consulting the programming manual.



The machine can be programmed for displaying, for a few second, the number of selections made.

After a few seconds the display shows the message:



OPERATING MODES

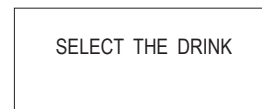
The machine can be in three different operating modes. According to the operating mode, the buttons take on different functions.

The available operating modes are as follows:

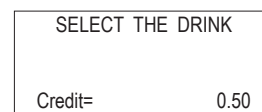
	FUNCTIONS
Normal operating mode	Coins accepted products dispensed
Filler menu	Test dispensing machine maintenance
Technician menu	Programming different parameters

NORMAL OPERATING MODE

During the normal operating mode the display shows the message for the user with the prompt to select the drink. The function of the buttons can be different according to the layout and to the choices made during programming.



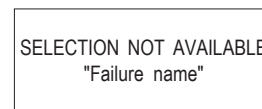
When inserting coins or a payment system, the available credit is displayed.



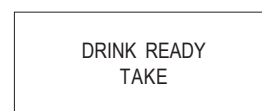
During the drink dispensing, also a status bar is shown, indicating the drink preparation status.



In the event of a malfunction detected by the control system, an error message will be displayed indicating the type of problem.



At the end of dispensing, the display indicates for a few seconds the request to pick up the drink and the machine is preset for the next selection.



SURFING MODE

The interaction between system and user occurs through the following components:

- Liquid crystal display (LCD) 2 lines of 16 characters.
- External direct selection push-button panel which takes on the following functions when in "Filler" and "Technician" mode (see Fig. 21):

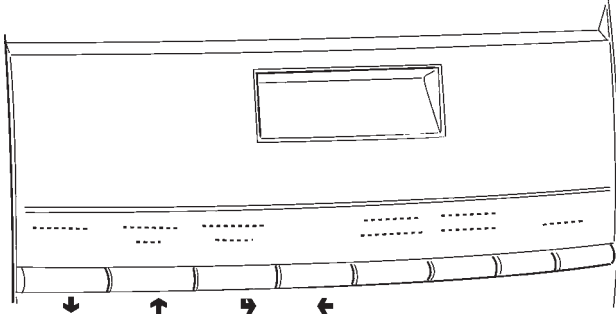


Fig. 21

Scrolling buttons "↑" and "↓":

To move to the next or previous menu option and change the values (up or down).

Confirm button "→":

To move from a menu to a sub-menu or it is used to confirm the current information on the display.

Exit key "←":

to return from a sub-menu to the higher level menu, or to clear the data on the display.

It is also used for going from "Technician" mode to "Filler" mode and vice versa.

With the door open, the presence of the magnet on the decaffeinated coffee door cannot be detected correctly.

The first line on the display indicates, after the number and the active function of the menu, a symbol that simulates the status of the door:

● = Door closed (grinding is carried out during the test selections);

○ = Door open (grinding is not carried out during the test selections);

to change the status of the decaffeinated door's simulator, press the last button to the right.

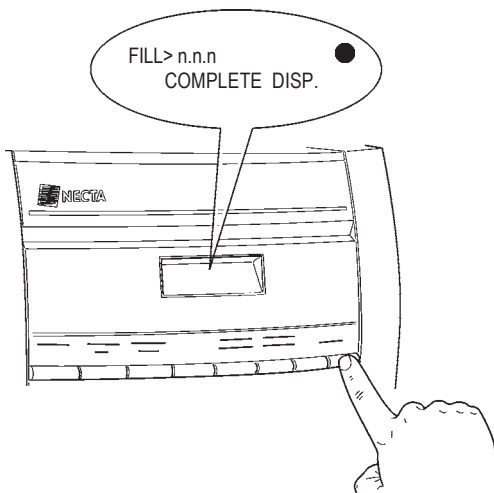


Fig. 22

FILLER MENU

When pressing once the programming button, the machine goes into "Filler menu" mode.

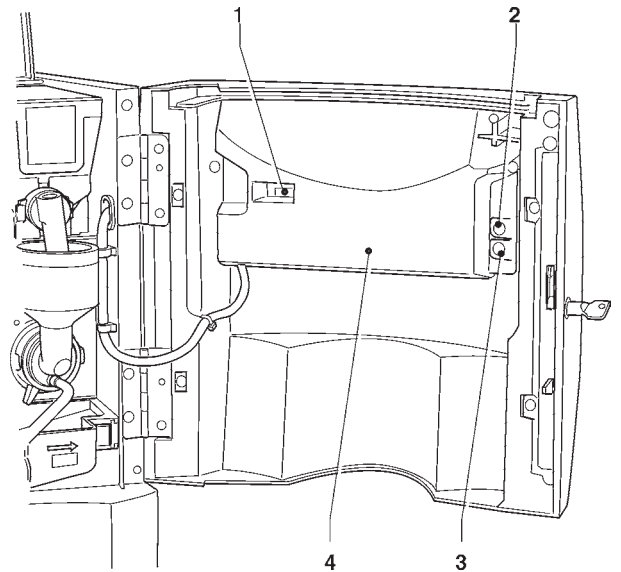


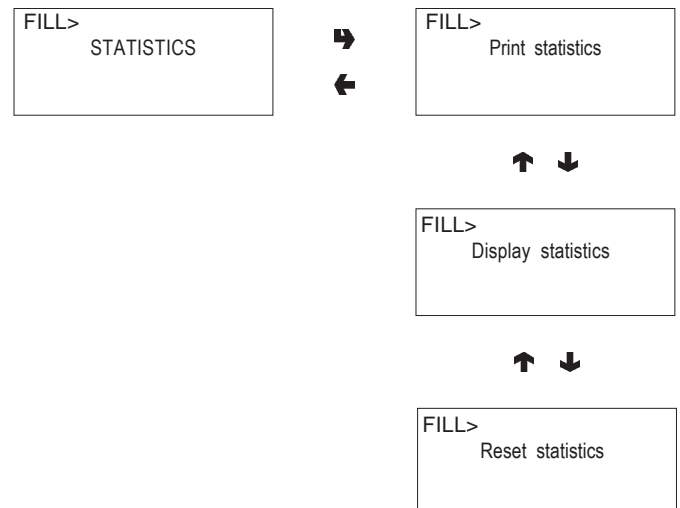
Fig. 23

- 1 - Mechanical counter
- 2 - Wash button
- 3 - Programming access button
- 4 - Push-button card cover

The display presents the first item of the "filler" menu with a series of numbers next to it, identifying the level of the current menu.

Press the confirm button "→" to access the menu.

Press the exit button "←" to return to the previous menu.



STATISTICS

All data concerning sales and the machine operations is stored in both total counters and relative counters, which can be reset without losing total data.

Printing

Connect an RS232 serial printer having a Baud rate of 9600, 8 data bit, no parity, 1 stop bit to the serial port located on the push button board to print all of the statistics.

The printout will also contain the machine information, the date and the software version.

To connect the printer, do as follows:

- press the confirm print button "↵", displaying the message "Confirm?";
- connect the printer before confirming;
- press the confirm button "↵" to start printing.

Displaying

Press the confirm button "↵" to display in a sequence the same data obtained with the statistic printing, for both total and relative counters.

Deleting

Statistics can be reset for relative counters globally (all types of data) or selectively for:

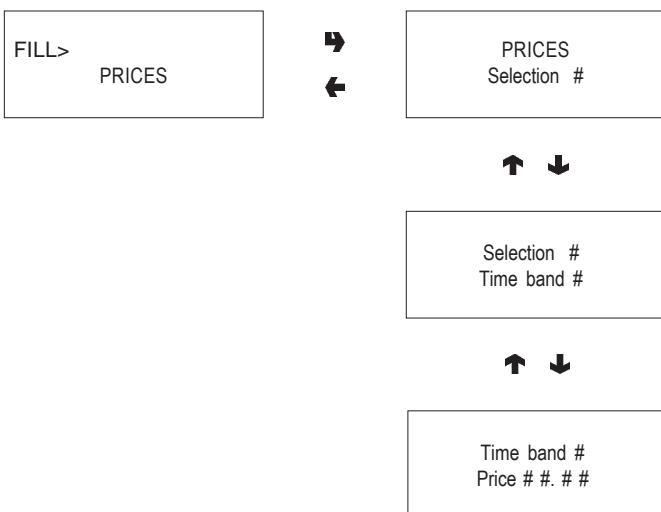
- selections
- failures
- coin mechanism data

Press the confirm button "↵", and the message "Confirm?" starts blinking.

Press the confirm button "↵", the message "Working" is displayed for a few seconds and all statistics are reset.

SELECTION PRICES

This function is used for changing the sales price for each single selection and for each time band that may be set.

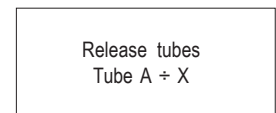
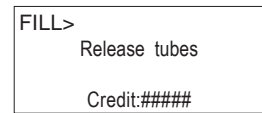
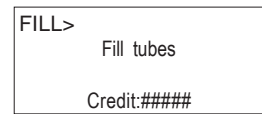
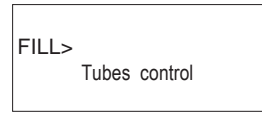


CHANGE TUBES CONTROL

By accessing the "Tube control" function the change tubes can be filled or released manually.

Confirm refilling, and the display will indicate "Credit: —" which is the value of money available in change the tubes; insert the desired coin into the validator and the display will indicate the value of money available in the change tubes.

When confirming releasing, it will be possible to decide which tube to release. Each time the confirm button "↵" is pressed, a coin is ejected from the active tube.

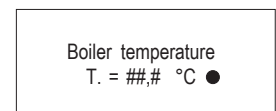
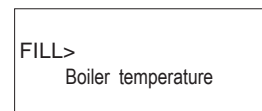


DISPLAYING THE TEMPERATURE

With this function it is possible to read the boiler temperature directly in °C.

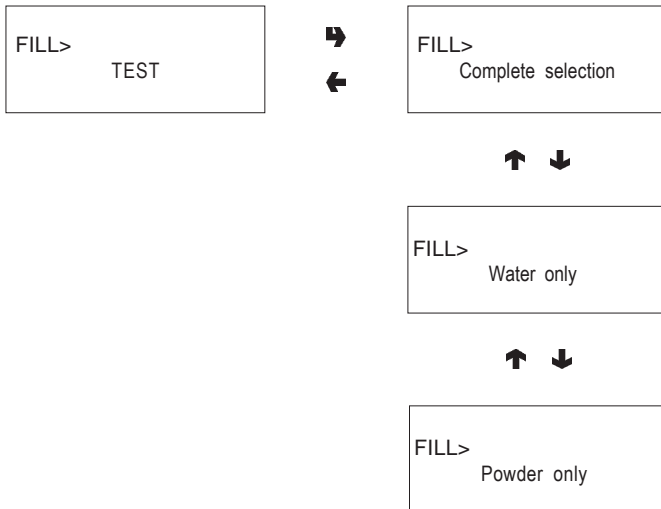
The symbol "○" indicates that the boiler heating element is not heating.

The symbol "●" indicates that the boiler heating element is heating.



TEST DISPENSING

For complete or partial dispensing tests (water, powder, only and without accessories) each button (or combination of buttons according to the model) is assigned a selection (see the dose selection table).



N.B. For espresso coffee based selections, only the additions are dispensed with the partial dispensing of powder and water; if a selection requires no addition the message “Sel. disabled”, indicating a disabled selection, will be displayed.

GSM PRE-ALARMS

The control software can send, via GSM modem, a signal indicating an “ending product” signal, when there is only a certain (programmable) number of pieces or grams of powder of a given product left. With this function the counters that control the pre-alarms are reset.



EVADTS TRANSFER

When activating this function, the machine awaits the connection with a device to acquire the EVADTS statistics.



FILLER MENU MASKING

The functions described in this chapter can be inhibited selectively from the “technician menu”.

TECHNICIAN MENU

Below is listed a summary explanation of the main functions useful for managing the operation of the machine, grouped by use logic and not necessarily in the order in which they are displayed in the menu.

The software version can be updated using the specific systems (PC, Flash, Upkey etc.), therefore all is described in this chapter is only to be taken as an example.

For further information and detailed explanations refer to the dose selection table supplied with the machine and to the programming manual available through our sales organisation, at our after-sales service, referring to the version number that is displayed when switching on the machine. When pressing once the programming button located on the coin mechanism compartment, the machine goes into "Filler menu" mode.

When pressing button "←" from "Filler" mode, the machine is preset to "Technician menu".

Note:

When pressing button "←" from "Technician" mode, the machine returns to "Filler menu" mode.

The first option of the programming menu is displayed, enabling the following functions:

FAILURES

The machine is equipped with various sensors for monitoring the different functional units.

When a malfunction is detected, a failure is "indicated" and the machine (or part of it) is placed out of service. The failure is stored in the appropriate counters.

The failure monitored by the software may regard functional units not present in the specific model; they are in any case listed when scrolling the menu.

The possible failures are indicated in the following cases:

Water failure

If the float is closed for more than one minute, the water inlet solenoid valve will remain energized until the water flow is restored.

If the machine is equipped with an internal water supply tank the pump will be switched off.

Waste container full

The machine locks if the liquid waste container float is triggered.

Air-break

The machine is locked if after 10 selections the float has never signalled the lack of water.

Volumetric counter

Failed computation of the volumetric counter (flow-meter) within a max. given time.

Boiler

The machine will lock if after the maximum time of heating from the machine start, or from the last selection, the boiler fails to reach the operating temperature.

CAN-BUS board

Failed dialogue between C.P.U. board and can-bus board (FB unit control).

Coin mechanism

The machine is locked if it receives a pulse longer than 2 seconds on a validator line or the communication with the serial coin mechanism does not take place for more than 30 seconds (Executive protocol) or 75 seconds (BDV protocol).

Machine lock

The machine is locked upon reaching the number of selections set with the "selection counter" function.

Grinder blockage

If the coffee grinder does not rotate or rotates too slowly, the espresso coffee selections are disabled. Decaffeinated based selections remain available.

Espresso unit

Due to mechanical blocking of the unit.

The machine is not locked, but all coffee-based selections are disabled.

No coffee

If the function is enabled from the programming menu, the display indicates the message "Insert coffee" if the grinder exceeds the grinding velocity for longer than 5 seconds.

RAM Data

One or more areas of the RAM contain wrong data which was corrected with the default values.

The machine will continue to function, but it would be advisable to initialise as soon as possible.

Fresh-brew piston

Due to wrong positioning of the unit.

The machine is not locked, but all fresh product based selections are disabled.

Fresh-brew scraper

Wrong positioning of the grounds ejection scraper.

The machine is not locked, but all fresh product based selections are disabled.

Espresso lock

The machine is locked upon reaching the number of coffee selections set separately with the "selection counter" function.

Instant prod. lock

The machine is locked upon reaching the number of instant product selections set separately with the "selection counter" function.

READING PRESENT FAILURES

When the "Failure" function is displayed, press the confirm button "➡" to display the present failures.

If no failures are currently present, after pressing the confirm button "➡" the message "End failures" will be displayed.



RESETTING

By confirming this function all current failures will be reset.



PROGRAMMING PARAMETERS

CASH

This set of functions controls all parameters regarding the payment systems and the sales prices.



Selection prices

Four different prices can be set for each selection according to the programmed time bands for when the time table option is enabled.

For each of the 4 time bands prices (0 to 65,535) can be programmed globally (same price for all selections) or for the single selections.

Should the majority of products be sold at the same price, it will be convenient to set the price globally and then change the figure of the selections with different prices.

Time bands

Four programmable time bands are provided for selling products at different prices.

The time periods are programmable for beginning and end time by hours (00 to 23) and minutes (00 to 59).

If the values for start and end of the time band are set to 00.00 the time period is disabled.

The reference time is kept by an internal clock, programmable as:

day/month/year week-day 1-7

and then

hour/minutes/seconds.

If the values for start and end of the time band are set to 00.00 the time period is disabled.

Coin mechanisms

It is possible to decide which of the payment system protocols available are to be enabled for the functions.

The available payment systems are:

- Validators

- MDB

By selecting one of the systems it is possible to control its functions.

Validators

When the "Validat. Lines" (line setting) function of the "Technician" menu is displayed, the value of the 6 validator coin lines can be changed.

MDB

The MDB protocol menus are used for defining the following functions:

Type of vending

Change control

Maximum credit

Maximum change

Accepted coins

Returned coins

Accepted bills

Minimum level of tubes

Accepted coins with "exact amount"

For further information refer to the programming manual.

FUNCTIONS COMMON TO ALL SYSTEMS

Immediate change

Normally, the amount of a selection is cashed after the machine sends the message "Selection successful".

When this function is enabled, disabled by default, the cash message is sent at the beginning of dispensing.

Decimal point

Press the confirm button "➡" to display the position of the decimal point, i.e.:

0 decimal point disabled

1 XXX.X

2 XX.XX

3 X.XXX

Press the confirm button "➡", these values will start blinking and can then be modified as necessary.

SELECTIONS

The selection menu is composed of various sub-menus which allow setting of the different parameters regarding the composition of selections and to which buttons they are to be associated.



Water dose

The water dose (expressed in cc - FB - IN or “flow-meter pulses” according to the models) can be set for each selection button and therefore for each product assigned to such selection.

Whipper Control

The whipping time can be set for each selection button, for each water dose that composes such selection. The duration can be set in two different modes:

Absolute

i.e. independent from the solenoid valve opening time. The whipping duration is set as tenths of a second for Instant models and as volumetric counter pulses for Espresso models.

Relative

i.e. based on the difference, plus or minus, from the moment the solenoid valve closes.

The whipping duration is always expressed in tenths of a second.

Solenoid valve settings

It is possible to set (IN - FB) the water flow rate of the single solenoid valves expressed in cc/s (the default value setting in cc/s is indicated in the selection dose table) to calculate the amount of water to be dispensed.

Powder dose

The powder dose expressed in grams can be set for each selection button, for each product that composes such selection.

For correct conversion of product dose values, the flow rate of the single doser units, expressed in gr/s, can be set to calculate the amount of powder to be dispensed; the same function can be set also for the grinder.

Selection status

Each single selection button can either be enabled or disabled.

Button-Selection

Permitting the association of a selection number, indicated in the the selection dose table, to a button in the direct selection keypad.

Checking selection number

Verifying the selection number associated to a button.


VENDING MACHINE PARAMETERS

This group of functions controls all parameters concerning the machine operation.



Boiler temperature

This function is used for setting the operating temperature of the boiler, expressed in °C.

After selecting the boiler, press the confirm button “”, the temperature value on the display will start blinking and can be modified as necessary.

Tank

The machine water supply can be from the mains or from an internal tank.

With this function it is possible to define whether the machine water supply is from the mains (tank = OFF), from the tank with water level sensor (tank = ON) from the tank without water level sensor (equipped base cabinet). With this last option, also the coffee grounds counter for the tray is excluded.

Enabling the wash button

With this function it is possible to enable the operation of the mixer wash button.

Normally the button is disabled.

Power on controls

It is possible to enable/disable (ON/OFF) the request of control messages regarding the status of the machine (Tubing...?, Mixers...?, etc.) with subsequent pressing of the confirm button.

Buzzer

If this function is enabled, and the buzzer is fitted on the board, the machine emits a sound signal when the button are pressed and at the end of the selection.

Setting the regeneration counter

It is possible to display the message “Replace water filter” after a programmable number of selections. If set in the programming menu, it is possible to reset the message with the door closed through a password, after replacing the filter.

Automatic wash

Option of setting the time when automatically cleaning the mixers and rotating the brewing units installed. When setting the time to 24.00 the function is disabled (default).

Energy saving

In order to save electric power when the machine is not in use, this function is used to switch off boiler heating and/or external lighting.

2 switch-off time bands can be programmed on a weekly basis; the week days are identified by a progressive number (1=Monday, 2=Tuesday etc.).

The same time band cannot include days from different weeks.

If time bands are set overlapping, the machine will remain switched on for the shorter period.

For example, in order to set energy saving time bands to run the vending machine from 07.00 to 22.00 during the week and leave it switched off on the weekend, the time bands should be set, using the special menu, as indicated in the table below.

Day		1	2	3	4	5	6	7
band 1	start	00.00	00.00	00.00	00.00	00.00	00.00	00.00
	end	07.00	07.00	07.00	07.00	07.00	23.59	23.59
band 2	start	22.00	22.00	22.00	22.00	22.00	00.00	00.00
	end	23.59	23.59	23.59	23.59	23.59	00.00	00.00

Decaf cycle

When enabling this function, instant coffee powder (if present) is dispensed in two steps to improve the appearance of the drink.

Equipped base cabinet

With this function enabled, the machine controls the water level sensor as not present and disables the coffee grounds counter.

The float and coffee grounds collection functions are performed by the devices inside the base cabinet.

Selection counter

This function is used to lock the machine after a programmable number of coffee selections, and a programmable number of instant selections; alternatively, the machine can be locked after a programmable number of selections. Since this is a control tool used only by the vending operator, a 5-digit password must be entered.

After entering the password, it is possible to set the number of selections after which the machine locks, read the number of selections already made and reset the lock counter.

N.B.: The counters are set to zero by default; With the counters set to zero, this function is disabled.

No coffee

With this function it is possible to enable or disable the indication on the display of the message "insert coffee".

DISPLAY

This group of functions controls all parameters concerning the display indications.



Language

There is an option of language, selected among the ones available in the software, to be used for the messages on the display.

Promotional message

It is possible to define whether or not the message is to be displayed.

The 2-line message can be written using the "↑" and "↓" buttons to scroll through the available characters.

Press the confirm button "→", the first character will start blinking and can be modified.

The message is stored by pressing button "←".

PRE-SELECTIONS

This function is used for setting the pre-selections, associated to each single selection, present in the specific model and layout.



For each pre-selection it is possible to decide whether or not it is to be enabled, which button will be assigned to, the selection price change and the percentage change in product dose.

MISCELLANEOUS

This menu contains some of the functions that are used less frequently concerning the machine parameters.



Fresh-brew unit data

For the Fresh-brew unit it is possible to set the brewing time, the drying time for the used dose and the extraction pressure.

Jug Facilities

Some models, supplied with a special button, permit dispensing of a number of selections (programmable between 1 to 9; 5 as default) without cup to fill a jug.

Programming the password

It is a 5-digit numeric code which is required to access programming.

The default value of this code is set to 00000.

Enabling the password

This function is used to enable the option of requesting the password to access programming; the password request is disabled by default.

Counter reset password

This function is used for setting the password that must be entered while in normal operating mode (door closed) for resetting the selection counters.

With the password set to zero, this function is disabled.

Multiple dispensing password

It is possible to set the password that must be entered while in normal operating mode (door closed) for obtaining the consecutive dispensing of several selection (jug facilities). The function is disabled at the end of the selection.

With the password set to zero, this function is disabled.

Free Vend password

This function is used for setting the password that must be entered while in normal operating mode (door closed) for activating the Free Vend function.

The function is disabled at the end of the selection.

Keypad lock password

It is possible to set the password that must be entered while in normal operating mode (door closed) for activating/deactivating the keypad lock.

With the keypad lock on, the display will indicate "SUSP. SERVICE"

With the password set to zero, this function is disabled.

Wash password

This function is used for setting the password that must be entered while in normal operating mode (door closed) for performing a mixer wash cycle.

Test selection password

It is possible to set the password that must be entered while in normal operating mode (door closed) for accessing maintenance/programming mode and make some test selections.

To return to normal operating mode, change from the FILL area to TECH and vice versa 3 times.

Filter reset password

This function is used for setting the password required for resetting the message "Replace water filter" with the door closed and resetting the counter after replacing the filter.

Enabling the Filler menu

This function is used to determine the filler menu options to be left active or to be disabled.

The reference numbers of the menus do not change even if some are disabled.

STATISTICS

Data on the machine operations is stored in both general counters and relative counters, which can be reset without losing total data.



Electronic counter

An electronic counter stores the total of all selections made since the last reset.

Displaying general statistics

When pressing the confirm button "↵" the stored data is sequentially displayed, and namely:

- 1 - single selection counter;
- 2 - counter by time bands;
- 3 - discount counter;
- 4 - failure counter;
- 5 - coin mechanism data.

Resetting general statistics

Statistics can be reset either globally (all types of data) or partially for:

- selections
- discounts/overprice
- failures
- coin mechanism data

Press the confirm button "↵", and the message "Confirm?" starts blinking.

Press the confirm button "↵", the message "Working" is displayed for a few seconds and all statistics are reset.

Displaying relative statistics

When pressing the confirm button "↵" the stored data is sequentially displayed with the same subdivision of the general statistics.

Resetting relative statistics

Statistics can be reset either globally (all types of data) or partially as in the general statistics.

Enabling the counters at start-up

This function is used to enable/disable the display of the total number of sales since the last statistic reset, during the start-up phase of the machine.

Printing

Connect an RS232 serial printer having a Baud rate of 9600, 8 data bit, no parity, 1 stop bit to the serial port located on the push button board to print all the statistics described in the paragraphs "Displaying general statistics" and "Displaying relative statistics". The printout will also contain the machine information, the date and the software version. Statistics can be printed partially or totally.

To connect the printer, do as follows:

- press the confirm print button "↵", displaying the message "Confirm?";
- connect the printer before confirming;
- press the confirm button "↵" again to start printing.

TEST

This group of functions is used for performing some controls on the machine.



Test dispensing

With this function it is possible to obtain, with the door open and without inserting any money, for each selection dispensing of:

- complete selection
- water only
- powder only

Special functions

By accessing this function it is possible to:

- activate the espresso brewer unit;
- release a dose of ground coffee; the dose is stored by means of the confirm button "↵";
- open a solenoid valve to allow the intake of air in the event of emptying the boiler for maintenance;
- manually install the boiler;

Autotest

This function allows testing, in a semiautomatic way, of the main machine components.

Press button "↵" and the message "AUTOTEST" will start blinking.

It is possible to cancel each operation and go to the next one by pressing button "←", confirming with button "↵" to start the autotest routine.

Some checks occur automatically, others need the manual operation of the monitored component.

For the actuation sequence refer to the programming manual.

MISCELLANEOUS

This menu contains some sub-menus, used less frequently, which permit control of the functions described below.



Machine information

Installation date

This function is used to store the current date of system as installation date.

The date is printed when retrieving the statistics.

Programming the MACHINE code

When the "Machine code" function is displayed the eight-digit numeric code identifying the machine can be changed (from the default 0).

Programming the operator code

When the "Operator code" function is displayed the six-digit numeric code identifying groups of machines can be changed (from the default 0).

Initialising

When the "Initialising" function is displayed the vending machine can be initialized restoring all default data.

This function should be used if there is a memory data error or when the software is replaced.

Except for the general electronic counter, all statistical data is reset.

Press confirm button "↵" and the display will indicate the message "Confirm?". Press the confirm button "↵" again and some parameters will be requested, which are:

"Country"

intended as type of base doses for the different selections (e.g. IT coffee = 45 cc - FR coffee = 80 cc).

The available "countries" vary according to the models.

"Layout"

A number of Button/Selection combinations to choose from is provided for each model and dose type (the combinations available for each layout are indicated in the dose selection table supplied with the machine).

"Tank"

Defining whether the water supply is:

ON - from the tank with minimum level sensor

OFF - from the mains

Equipped base cabinet

- from the tank without sensor

When confirming the options the message "Working" is displayed for a few seconds.

"Language"

When the machine is switched on for the first time or in any case after initialising, as well as the list of controls to be performed, also the language used for the messages on the display is proposed.

The available languages can be scrolled with the "↓" and "↑" buttons, and the selection is confirmed with button "↵".

Unless the machine is initialised, the language request is not made again.

UP-KEY SETUP CONTROL

Up-Key -> Vending machine

When confirming this function after inserting the Up-Key in the special port located on the C.P.U. board, it will be possible to select the setup file from the list shown on the display using the scrolling buttons, then when confirming with the confirm button the selected setup will be loaded in the vending machine.

Vending machine -> Up-Key

When confirming this function after inserting the Up-Key in the special port located on the C.P.U. board, it will be possible to save the setup file to the Up-Key with the configuration present in that moment in the vending machine, indicating the name to be assigned to the file (e.g.: Max000.STP).

Delete

This function is used for deleting one by one the setup files present in the inserted Up-Key.

Delete all

This function is used for deleting all the setup files present in the inserted Up-Key.

UP-KEY STATISTICS CONTROL

Vending machine -> Up-Key

When confirming this function after inserting the Up-Key in the special port located on the C.P.U. board, it will be possible to save the statistics file to the Up-Key with all of the statistics files present in that moment in the vending machine, indicating the name to be assigned to the file (e.g.: Max000.STA).

Delete

This function is used for deleting one by one the statistics files present in the inserted Up-Key.

Delete all

This function is used for deleting all the statistics files present in the inserted Up-Key.

Chapter 3 MAINTENANCE

Important notice!!

Access to the machine interior for maintenance and/or repairs is via the back panel and from the side panels. Therefore the machine is designed to be rotated, thus allowing removal of the back panel and of the side panels.

The integrity of the machine and compliance with the standards of the relevant systems must be checked at least once a year by qualified personnel.

With the main switches turned off, the terminal strip connected to the line cable, the fuses and the noise suppressor stay energised in any case.

Before starting any maintenance operations requiring parts of the unit to be removed, the machine must always be switched off.

The operations described below must be carried out only by personnel who have the specific knowledge of the machine functioning from a point of view of electrical safety and health regulations.

INTRODUCTION

To ensure correct operation for a long period, the machine must be subjected to regular maintenance.

The following sections contain the procedures and the maintenance schedule, which are only a general indication, as they greatly depend on the operating conditions (e.g. water hardness, environmental humidity and temperature, type of product used, etc.).

The procedures described in this chapter are not exhaustive of all maintenance operations to be carried out.

More complex operations (e.g. boiler descaling) should be carried out by qualified technicians only having specific knowledge of the machine.

To prevent oxidation or the action of chemical agents, the stainless steel and varnished surfaces should be kept clean by using mild detergents (solvents must not be used).

Under no circumstances should water jets be used to clean the machine.

BREWING UNIT MAINTENANCE

Every 10,000 selections or every 6 months some maintenance of the coffee unit must be carried out.

Maintenance is carried out as follows:

- remove the boiler Teflon hose connection from the upper piston, paying attention not to lose the seal (see Fig. 24);
- undo the knob securing the unit to the bracket;
- remove the brewing unit.

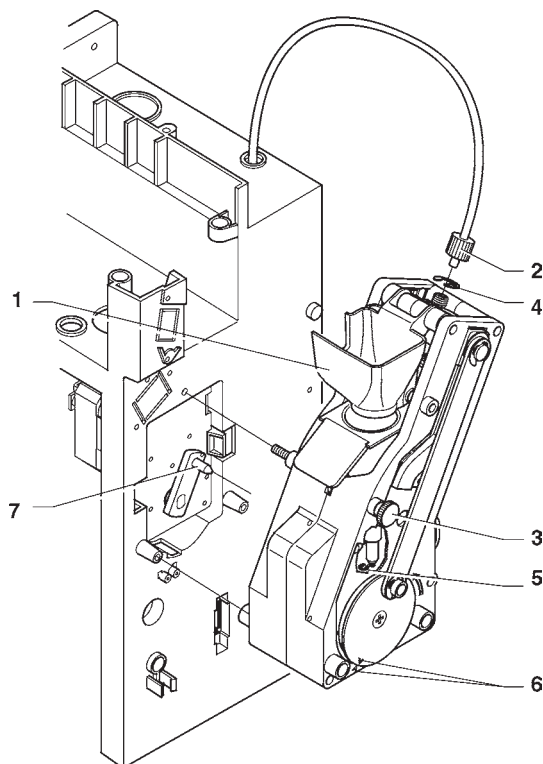


Fig. 24

- 1 - Coffee funnel
- 2 - Boiler connecting hose
- 3 - Unit securing knob
- 4 - Upper piston snap ring
- 5 - Lower piston snap ring
- 6 - Reference notches
- 7 - Ratiomotor handle pin

Removing the upper filter

- Take the snap ring out of its seat;
- remove the piston from the crosspiece;
- remove the filter and the piston seal.

Removing the lower filter

- Remove the coffee funnel (see Fig. 24);
 - remove the lower piston snap ring;
 - take the piston out of brew chamber and remove the filter.
- Soak all components removed from the unit in a solution of boiling hot water and coffee machine detergent for approx. 20 minutes.
- Thoroughly rinse and dry all parts, then reinstall them in the reverse order of disassembly, taking particular care that:
- the piston is positioned in the correct notch for the coffee dose used (see relevant section);
 - the two reference notches match and that the coffee unit is inserted.

Important notice!!!

Check that the handle pin of the ratiomotor is correctly engaged in its seat.

SANITISING THE MIXERS AND FOODSTUFF CIRCUITS

When installing the machine, and then at least once a week or even more frequently according to the use of the machine and the quality of the inlet water, the mixers and the dispensing conduits must be thoroughly sanitised (cleaned and disinfected), to guarantee proper hygiene of the dispensed products.

The parts to be cleaned are as follows:

- powder deposit drawers, mixer and instant drink dispensing conduit;
- dispensing spouts;
- spout support tray;
- remove the powder and the water funnels, the feeders, the powder deposit drawers and the mixer wheels from the mixers (see Fig. 25);
- in order to remove the water funnel the green ring nut must be rotated anticlockwise;

pay special attention to closing it fully during reassembly;

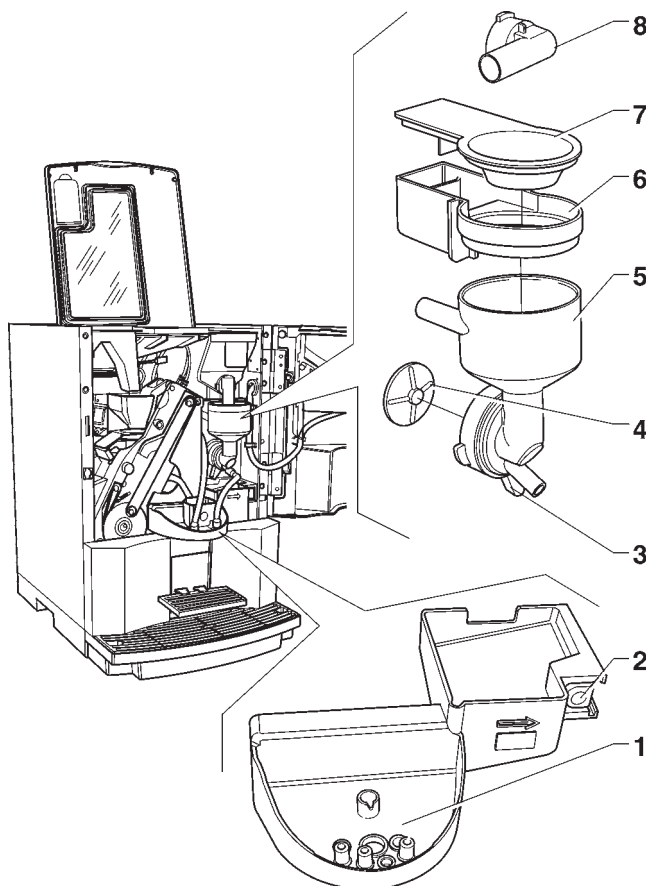


Fig. 25

- 1 - Dispensing spouts
- 2 - Spouts support release button
- 3 - Funnel securing ring nut
- 4 - Mixer wheel
- 5 - Water funnel
- 6 - Powder deposit drawer
- 7 - Product funnel
- 8 - Product conveying pipette

- in order to remove the impellers, block the disk fitted on the mixer shaft with a finger (see Fig. 26).

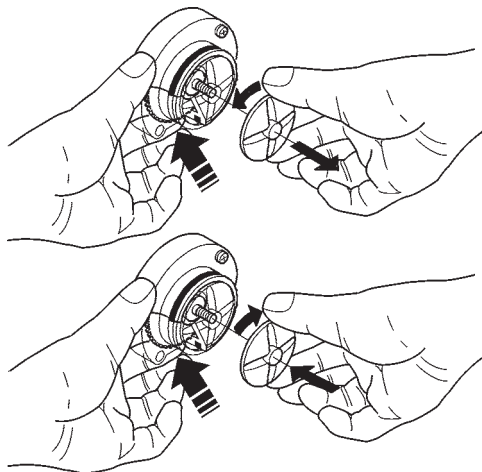


Fig. 26

Wash all parts with detergent being sure that all visible residue and product layers are mechanically removed, using a brush if necessary.

Disinfection should be carried out using sanitising products.

- soak all components for approx. 20 minutes in a container filled with the previously prepared chlorine-based detergent;
- reinstall the feeders and the water funnels;
- reinstall the powder deposit drawers and the powder funnels after thoroughly drying them.

After reinstalling all parts the following is however required:

- add a few drops of the sanitising solution in the mixer;
- using the mixer cleaning function with the door closed, thoroughly rinse all components to ensure that all residue of the detergent solution is removed.

PERIODICAL CLEANING

At least once a year, or more frequently according to the use of the machine and the quality of the inlet water, the entire foodstuff circuit system must be cleaned and sanitized as described below.

SANITISING

- all parts of the hydraulic system in contact with food, including the hoses, must be removed from the unit and fully disassembled;
- all visible residue and product films are mechanically removed using brushes or similar tools, if necessary;
- all components must be soaked in a sanitising solution for at least 20 minutes;
- the unit internal surfaces are to be cleaned with the same sanitising solution;
- thoroughly rinse and then reinstall the parts.

Before restarting the machine, the same sanitising procedure described in section “Sanitising the mixers and the foodstuff circuits” should be repeated.

CLEANING THE PRODUCT CONTAINERS

- Remove the containers from the machine;
- undo the product ports and slide out the augers from back of the container;
- clean all parts in a solution of hot water and sanitising products and dry thoroughly.

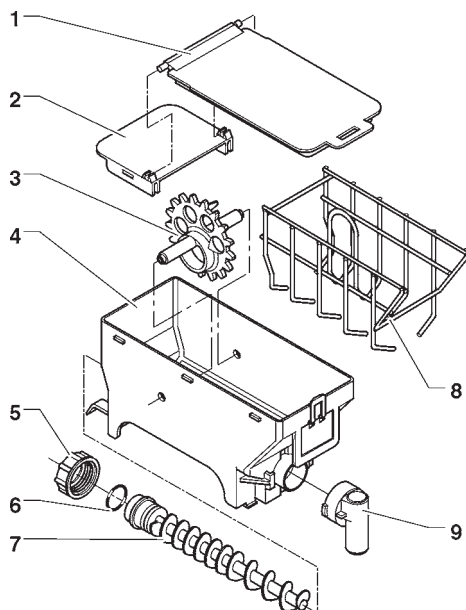


Fig. 27

- 1 - Lid
- 2 - Lid clamp
- 3 - Wheel
- 4 - Container body
- 5 - Auger securing ring nut
- 6 - Gasket
- 7 - Auger
- 8 - Scraper
- 9 - Powder port

PRINTED BOARD FUNCTIONS AND INDICATOR LAMPS

ACTUATION BOARD

This board, placed at the back of the machine, (see Fig. 28) processes the information from the push-button card and from the payment system; it also controls the actuators, the input signals and the boiler board.

The 15 V AC voltage required for board operation is supplied by a transformer which is protected by a 160 mA T fuse on the primary and by a 1.25 AT fuse on the secondary winding. The voltage supply is rectified and stabilised directly by the board.

This board houses the Flash EPROM. The control software of the board is installed directly (via RS232 or UpKey) in the microprocessor.

- the red LED (7) indicates the operating status of the boiler heating element;
- the red LED (9) for resetting the CPU glows during the board reset;
- the green LED (11) blinking indicates that the microprocessor is working correctly;
- the yellow LED (12) indicates the presence of 5 V DC.

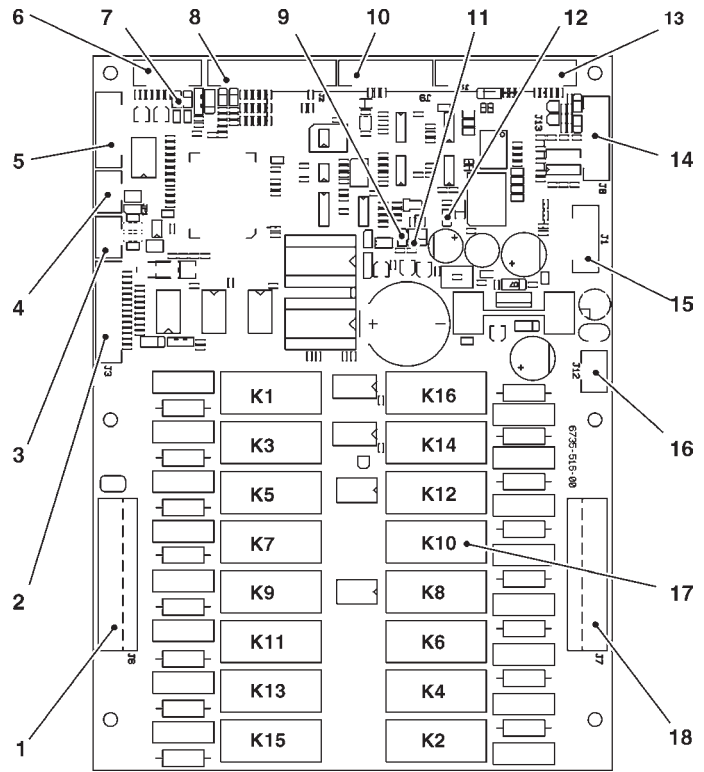


Fig. 29

- 1 - 120 V~ users
- 2 - Input signal
- 3 - Can-Bus connection
- 4 - Can-Bus connection
- 5 - Relay expansion connection
- 6 - Probes and board management for boiler control
- 7 - Red LED - boiler heating element
- 8 - Input signal
- 9 - Red LED
- 10 - Not used
- 11 - Green LED
- 12 - Yellow LED
- 13 - To the push-button board
- 14 - Connector for board programming (RS232)
- 15 - UpKey connector
- 16 - Board power supply (15 Vac)
- 17 - Relays K1÷K16
- 18 - 120 V~ users

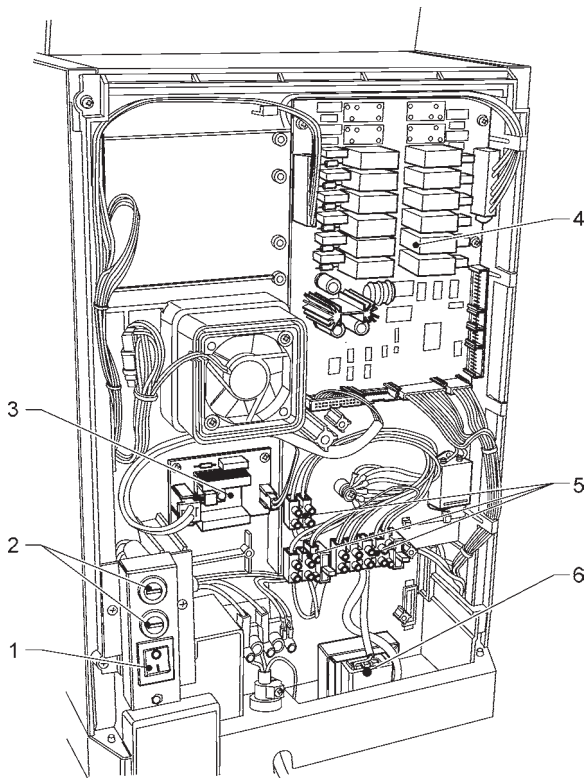


Fig. 28

- 1 - Main switch
- 2 - Mains fuse
- 3 - Boiler control board
- 4 - Actuation/CPU board
- 5 - Transformer fuses
- 6 - Transformer

RELAY	ESPRESSO
K1	PM
K2	not used
K3	MF1
K4	not used
K5	ER
K6	not used
K7	M
K8	ESP1
K9	EV1
K10	MD1
K11	EV2
K12	not used
K13	not used
K14	EEA
K15	not used
K16	MAC

PUSH-BUTTON BOARD

This board controls the alphanumeric display, the selection buttons and the programming and wash buttons (see Fig 30).

It supports the validator connectors as well as the printer port.

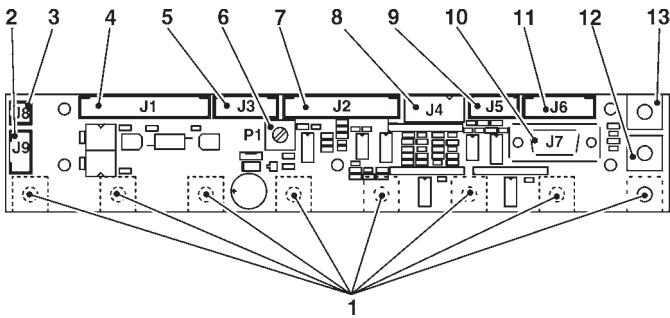


Fig. 30

- 1 - Selection buttons
- 2 - Not used
- 3 - To mechanical counter (optional)
- 4 - To actuation/CPU board
- 5 - Input
- 6 - Display adjusting trimmer
- 7 - To display
- 8 - 12 Vdc validators
- 9 - Not used
- 10 - RS232 serial port
- 11 - Not used
- 12 - Programming access button
- 13 - Wash button

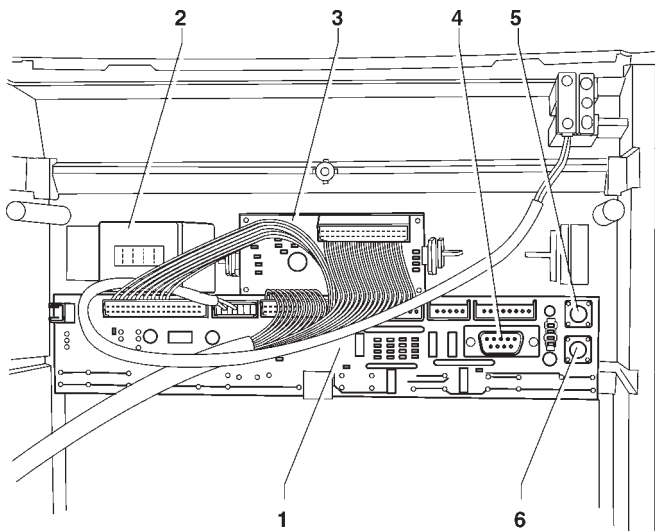


Fig. 31

- 1 - Push-button board
- 2 - Mechanical counter support
- 3 - Display board
- 4 - RS232 serial port
- 5 - Wash button
- 6 - Programming access button

BOILER CONTROL BOARD

This board (see Fig. 32) controls the boiler heating element.

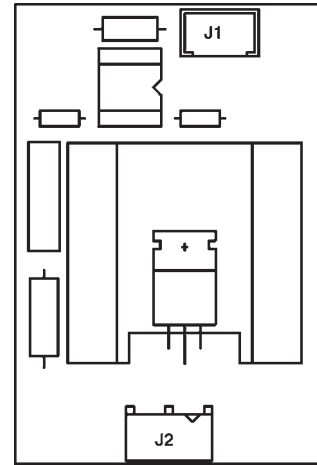


Fig. 32

PAYMENT SYSTEMS EXPANSION BOARD

This board (see Fig. 33) is supplied with the installation kit of "change giver" or "cashless" payment systems.

It must be connected to the control board using the special connector.

According to the communication protocol used by the payment system, the 2 minidips will have to be set to OFF (Executive) or to ON (MDB).

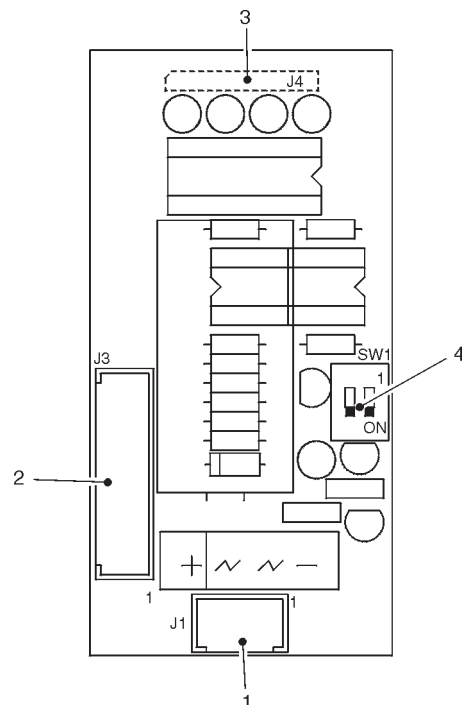
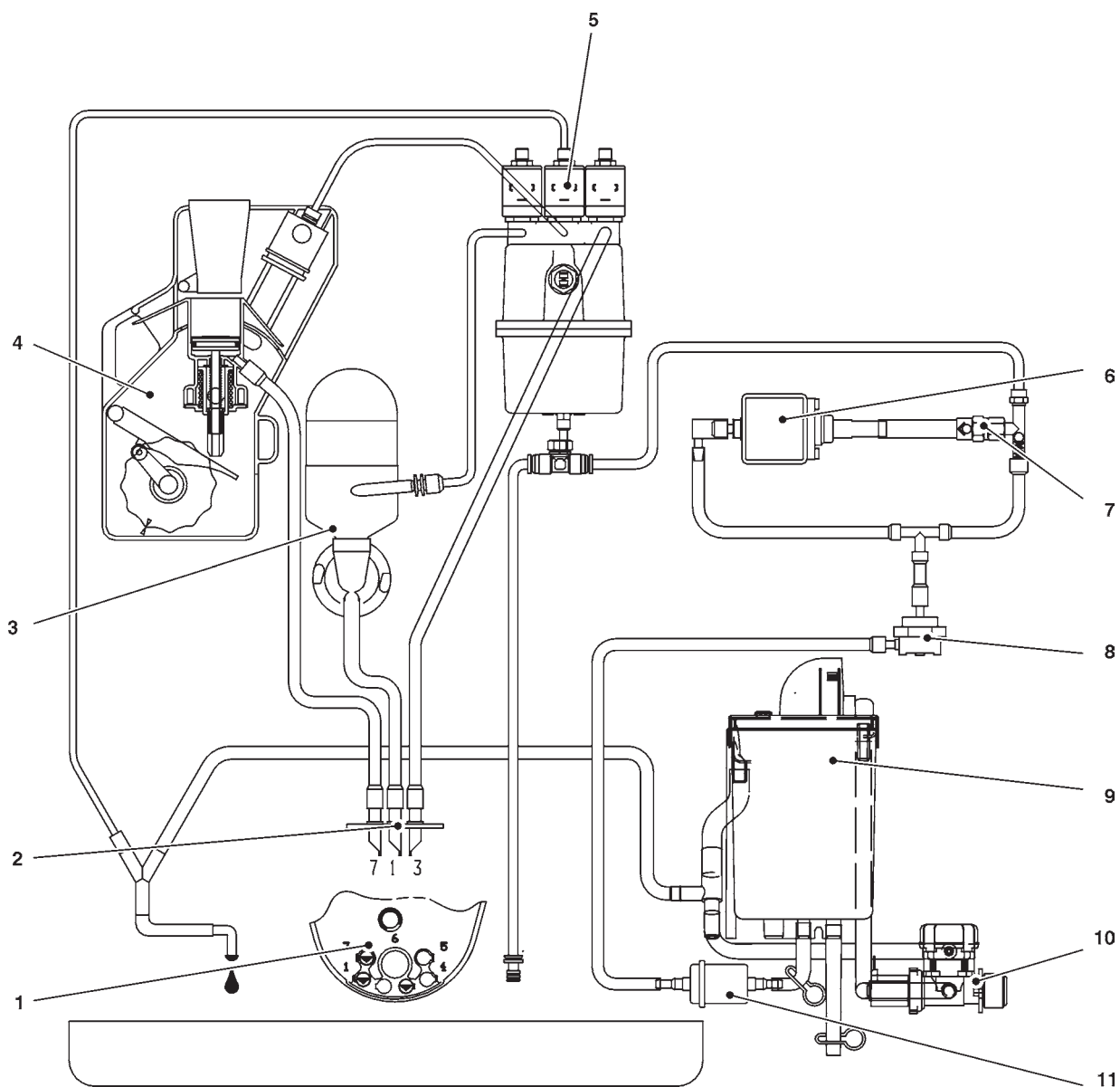


Fig. 33

- 1 - Power supply (MDB - BDV)
- 2 - To the the payment system (with special cable)
- 3 - To the control board
- 4 - Payment system configuration minidips
OFF = Executive / BDV
ON = MDB

HYDRAULIC SYSTEM FOR ESPRESSO



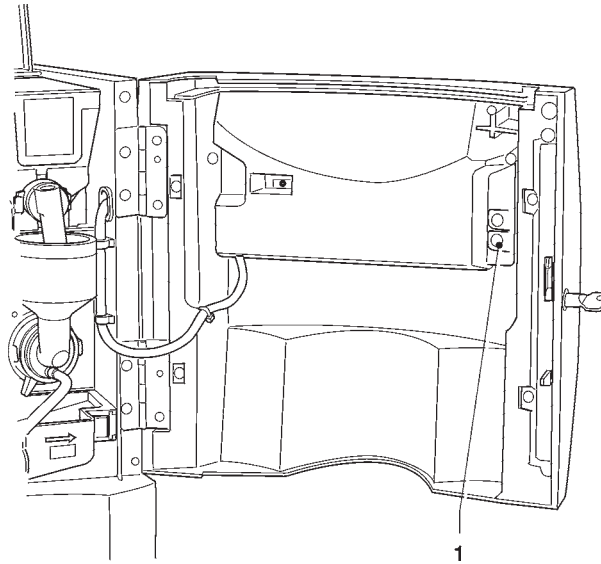
- 1 - Dispensing spout support
- 2 - Dispensing spouts
- 3 - Instant prod. mixer
- 4 - Brewer unit
- 5 - Dispensing solenoid valves
- 6 - Coffee pump
- 7- Bypass
- 8 - Volumetric counter
- 9 - Air-break
- 10 - Water inlet solenoid valve
- 11 - Mechanical filter

Programming menu summary

The machine can function in 3 different operating modes:

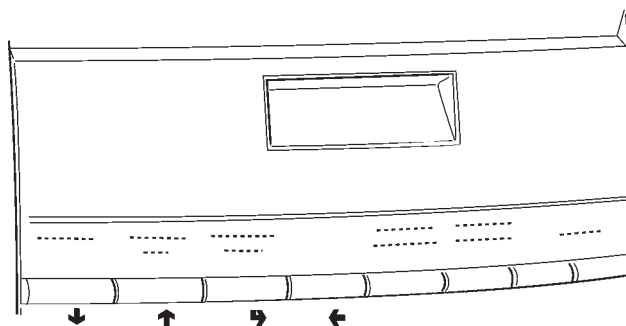
- **Normal vending mode**
- **Filler menu**
- **Technician menu**

In order to access the programming menus, press the programming button located on the push-button card:



At this point the machine goes into Filler menu mode.

The buttons shown in the figure are used for surfing through the different menus:



Scrolling buttons **UP** (↑) and **DOWN** (↓)

The UP and DOWN scrolling buttons are used for moving from one programming menu item to the next one, located in the same level, and at the same time change the status or the numeric value of the corresponding functions.

Confirm / enter button (↵)

The confirm / enter button is used for moving to the lower level or for confirming a value after being entered or changed.

Exit button (←)

The exit button is used for returning to the higher level or for exiting a change field of a function. When reaching the highest level in the menu, this button is pressed for going from the Technician menu into the Filler menu and vice versa.

"Filler Menu" Summary

Koro Rev. 1.2

Filler Menu

1 - STATISTICS

1.1 - STATIS. PRINTING

1.1.1 - PARTIAL PRINTING

- 1.1.1.1 - SEL. CNT. PRINT.
- 1.1.1.2 - PRINT BAND CNT
- 1.1.1.3 - DISC. CNT.PRINT.
- 1.1.1.4 - FAIL. CNT.PRINT.
- 1.1.1.5 - COIN MECH. PRINT

1.1.2 - TOTAL PRINTING

1.2 - PRINT REL. STAT.

1.2.1 - PARTIAL PRINTING

- 1.2.1.1 - SEL. CNT. PRINT.
- 1.2.1.2 - PRINT BAND CNT
- 1.2.1.3 - DISC. CNT.PRINT.
- 1.2.1.4 - FAIL. CNT.PRINT.
- 1.2.1.5 - COIN MECH. PRINT

1.2.2 - TOTAL PRINTING

1.3 - STATIST. DISPLAY

1.3.1 - SEL. CNT. DISP.

- 1.3.1.1 - CNT DIS. X S.SEL
- 1.3.1.2 - TOT CNT DISPLAY
- 1.3.1.3 - SEL.NO.CNT. DIS.

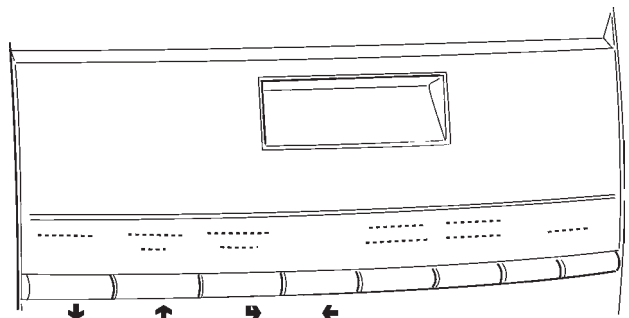
1.3.2 - DISPLAY BAND CNT

1.3.3 - DISC. CNT. DISP.

1.3.4 - FAIL. CNT. DISP.

1.3.5 - COIN MECH. DISP.

- | | | | |
|---|--|---|--|
| ↓ | PREVIOUS FUNCTION /
DECREASE DATA UNIT (-1) | ↑ | NEXT FUNCTION /
INCREASE DATA UNIT (+1) |
| ↵ | CONFIRM DATA /
CONFIRM FUNCTION | ← | DELETE DATA /
EXIT FUNCTION |



"Filler Menu" Summary

1.3.5.1 - AUDIT DATA DISP.

1.3.5.2 - CASH COUNT. DIS.

1.4 - DISP. REL. STAT.

1.4.1 - SEL. CNT. DISP.

1.4.1.1 - CNT DIS. X S.SEL

1.4.1.2 - TOT CNT DISPLAY

1.4.1.3 - SEL.NO.CNT. DIS.

1.4.2 - DISPLAY BAND CNT

1.4.3 - DISC. CNT. DISP.

1.4.4 - FAIL. CNT. DISP.

1.4.5 - COIN MECH. DISP.

1.4.5.1 - AUDIT DATA DISP.

1.4.5.2 - CASH COUNT. DIS.

1.5 - DELETE REL.STAT.

1.5.1 - PARTIAL RESET

1.5.1.1 - SEL. CNT. RESET

1.5.1.2 - DISC. CNT. RESET

1.5.1.3 - FAIL. CNT. RESET

1.5.1.4 - COIN MECH. RESET

1.5.2 - TOTAL RESET

2 - SET INDIV. PRICE

2.1 - PRICE BAND 0

2.2 - PRICE BAND 1

2.3 - PRICE BAND 2

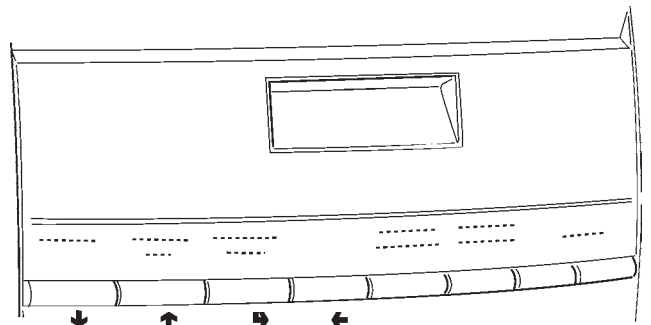
2.4 - PRICE BAND 3

2.5 - PRICE BAND 4

3 - TUBE CONTROL

3.1 - FILLING TUBE

3.2 - TUBE EMPTYING



"Filler Menu" Summary

4 - BOILER TEMPERAT.

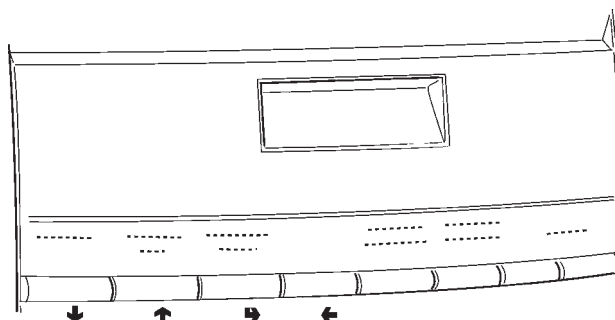
5 - TEST

5.1 - COMP. DISPENSING

5.2 - WATER ONLY

5.3 - POWDER ONLY

- | | | | |
|---|--|---|--|
| ↓ | PREVIOUS FUNCTION /
DECREASE DATA UNIT (-1) | ↑ | NEXT FUNCTION /
INCREASE DATA UNIT (+1) |
| ↵ | CONFIRM DATA /
CONFIRM FUNCTION | ← | DELETE DATA /
EXIT FUNCTION |



"Technician Menu" Summary

1 - FAILURES

1.1 - FAILURE READING

1.2 - FAILURE RESET

2 - SET PARAMETERS

2.1 - CASH

2.1.1 - PRICES

2.1.1.1 - SET INDIV. PRICE

2.1.1.1.1 - PRICE BAND 0

2.1.1.1.2 - PRICE BAND 1

2.1.1.1.3 - PRICE BAND 2

2.1.1.1.4 - PRICE BAND 3

2.1.1.1.5 - PRICE BAND 4

2.1.1.2 - SET GLOB. PRICES

2.1.1.2.1 - PRICE BAND 0

2.1.1.2.2 - PRICE BAND 1

2.1.1.2.3 - PRICE BAND 2

2.1.1.2.4 - PRICE BAND 3

2.1.1.2.5 - PRICE BAND 4

2.1.1.3 - TIME SCHEDULE

2.1.1.3.1 - SET DATE & TIME

2.1.1.3.2 - TIME BAND 1

2.1.1.3.3 - TIME BAND 2

2.1.1.3.4 - TIME BAND 3

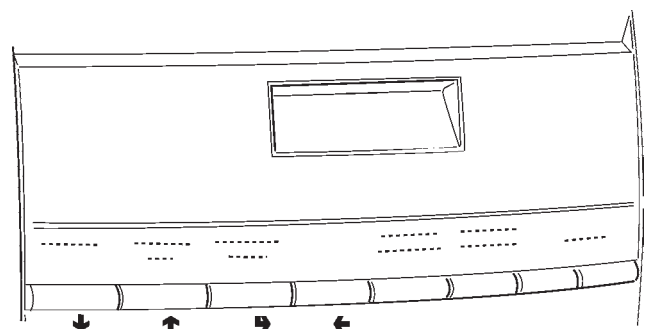
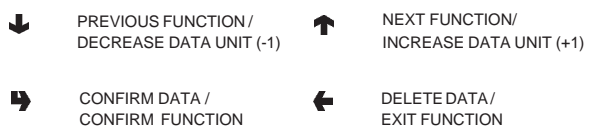
2.1.1.3.5 - TIME BAND 4

2.1.2 - COIN MECHANISM

2.1.2.1 - COIN MECH. SET.

2.1.2.2 - IMMEDIATE CHANGE

2.1.3 - DECIMAL POINT



"Technician Menu" Summary

2.2 - SELECTIONS

2.2.1 - SET WATER

2.2.1.1 - WATER DOSES

2.2.1.2 - SET WHIP DOSES

2.2.1.2.1 - SET WHIP DOSES

2.2.1.2.2 - SET MODALITY

2.2.1.3 - EL.VALVE SETTING

2.2.2 - SET POWDER

2.2.2.1 - POWDER DOSES

2.2.2.2 - DOSER SETTING

2.2.3 - SELECTION STATUS

2.2.4 - SEL. <-> BUTTON

2.2.5 - CHECK NO. SELEC.

2.3 - MACHINE PARAM.

2.3.1 - BOILER TEMPERAT.

2.3.2 - TANK

2.3.3 - ENAB.FLUSHBUTTON

2.3.4 - TUBES OK ?

2.3.5 - BUZZER ENABLE

2.3.6 - MAINT.DISP.SETT

2.3.7 - ENAB.AUTOM.FLUSH

2.3.8 - ENERGY SAVING

2.3.8.1 - SET ENERGY SAV.

2.3.8.2 - ENERGY SAV. PAR.

2.3.9 - DEC. CYCLE

2.3.a - EQ. CABINET

2.3.b - NUM. MAX CONTAT.

2.3.c - ABIL.VUOTO CAFFE

2.3.d - INFUSION TIME D.

2.4 - DISPLAY

2.4.1 - LANGUAGE

2.4.2 - PROMO. ADVERT.

2.4.2.1 - ENABLE PR. ADV.

2.4.2.2 - SET PROMO. ADV.



PREVIOUS FUNCTION /
DECREASE DATA UNIT (-1)



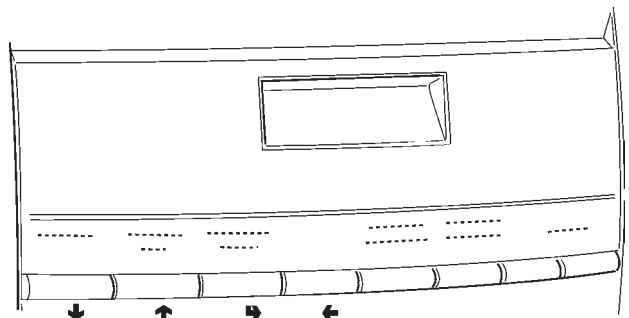
NEXT FUNCTION /
INCREASE DATA UNIT (+1)



CONFIRM DATA /
CONFIRM FUNCTION



DELETE DATA /
EXIT FUNCTION



"Technician Menu" Summary

2.5 - PRE-SELECTIONS

2.5.1 - WATER +

2.5.1.1 - SELECTION ENABL.

2.5.1.2 - DOSE VARIATION

2.5.1.3 - PRICE VARIATION

2.5.2 - WATER -

2.5.2.1 - SELECTION ENABL.

2.5.2.2 - DOSE VARIATION

2.5.2.3 - PRICE VARIATION

2.5.3 - STRONG

2.5.3.1 - SELECTION ENABL.

2.5.3.2 - DOSE VARIATION

2.5.3.3 - PRICE VARIATION

2.5.4 - MILD

2.5.4.1 - SELECTION ENABL.

2.5.4.2 - DOSE VARIATION

2.5.4.3 - PRICE VARIATION

2.5.5 - POWDER COFFEE

2.5.5.1 - SELECTION ENABL.

2.5.5.2 - DOSE VARIATION

2.5.5.3 - PRICE VARIATION

2.5.6 - EXTRA MILK

2.5.6.1 - SELECTION ENABL.

2.5.6.2 - DOSE VARIATION

2.5.6.3 - PRICE VARIATION

2.5.7 - MOCHA

2.5.7.1 - SELECTION ENABL.

2.5.7.2 - DOSE VARIATION

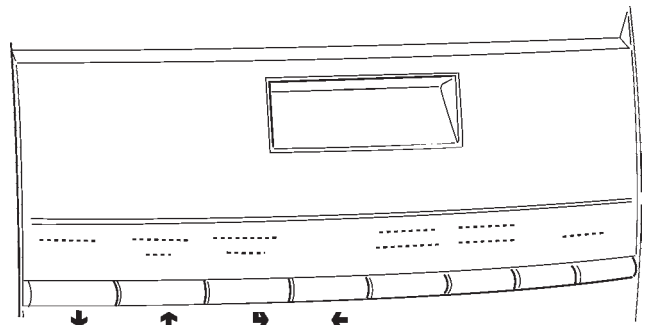
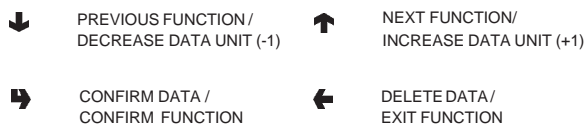
2.5.7.3 - PRICE VARIATION

2.5.8 - CUP SIZE

2.5.8.1 - SELECTION ENABL.

2.5.8.2 - DOSE VARIATION

2.5.8.3 - PRICE VARIATION



"Technician Menu" Summary

2.6 - MISCELLANEOUS

2.6.1 - FB DATA

2.6.2 - JUG FACILITIES

2.6.3 - PASSWORD

2.6.3.1 - SET PASSWORD

2.6.3.2 - ENABLE PASSWORD

2.6.3.3 - PWD AZZ. CONTAT.

2.6.3.4 - PWD JUG FACILITY

2.6.3.5 - PWD FREE VENDING

2.6.3.6 - PWD BLOCCO TAST.

2.6.3.7 - PWD LAVAGGI

2.6.3.8 - PWD SEL. PROVA

2.6.4 - ENABLE FILL MENU

3 - STATISTICS

3.1 - ELECTR. COUNTER

3.1.1 - DISPLAY COUNTERS

3.1.2 - RESET COUNTER

3.2 - STATIST. DISPLAY

3.2.1 - SEL. CNT. DISP.

3.2.1.1 - CNT DIS. X S.SEL

3.2.1.2 - TOT CNT DISPLAY

3.2.1.3 - SEL.NO.CNT. DIS.

3.2.2 - DISPLAY BAND CNT

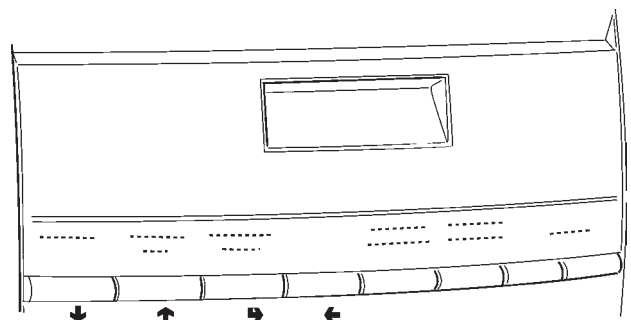
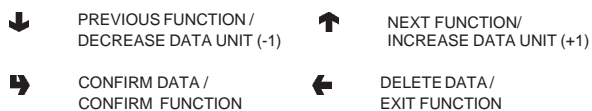
3.2.3 - DISC. CNT. DISP.

3.2.4 - FAIL. CNT. DISP.

3.2.5 - COIN MECH. DISP.

3.2.5.1 - AUDIT DATA DISP.

3.2.5.2 - CASH COUNT. DIS.



"Technician Menu" Summary

3.3 - STATISTICS RESET

3.3.1 - PARTIAL RESET

3.3.1.1 - SEL. CNT. RESET

3.3.1.2 - DISC. CNT. RESET

3.3.1.3 - FAIL. CNT. RESET

3.3.1.4 - COIN MECH. RESET

3.3.2 - TOTAL RESET

3.4 - DISP. REL. STAT.

3.4.1 - SEL. CNT. DISP.

3.4.1.1 - CNT DIS. X S.SEL

3.4.1.2 - TOT CNT DISPLAY

3.4.1.3 - SEL.NO.CNT. DIS.

3.4.2 - DISPLAY BAND CNT

3.4.3 - DISC. CNT. DISP.

3.4.4 - FAIL. CNT. DISP.

3.4.5 - COIN MECH. DISP.

3.4.5.1 - AUDIT DATA DISP.

3.4.5.2 - CASH COUNT. DIS.

3.5 - DELETE REL.STAT.

3.5.1 - PARTIAL RESET

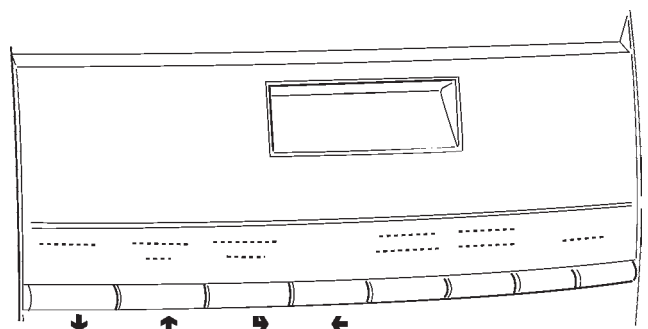
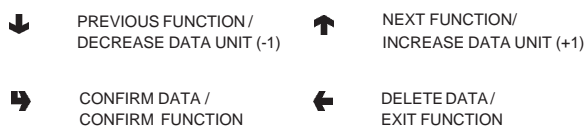
3.5.1.1 - SEL. CNT. RESET

3.5.1.2 - DISC. CNT. RESET

3.5.1.3 - FAIL. CNT. RESET

3.5.1.4 - COIN MECH. RESET

3.5.2 - TOTAL RESET



"Technician Menu" Summary

3.6 - EN. CNT AT START

3.7 - STATIS. PRINTING

3.7.1 - PARTIAL PRINTING

3.7.1.1 - SEL. CNT. PRINT.

3.7.1.2 - PRINT BAND CNT

3.7.1.3 - DISC. CNT.PRINT.

3.7.1.4 - FAIL. CNT.PRINT.

3.7.1.5 - COIN MECH. PRINT

3.7.2 - TOTAL PRINTING

3.8 - PRINT REL. STAT.

3.8.1 - PARTIAL PRINTING

3.8.1.1 - SEL. CNT. PRINT.

3.8.1.2 - PRINT BAND CNT

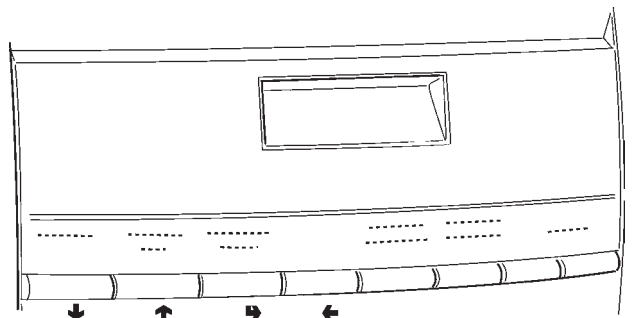
3.8.1.3 - DISC. CNT.PRINT.

3.8.1.4 - FAIL. CNT.PRINT.

3.8.1.5 - COIN MECH. PRINT

3.8.2 - TOTAL PRINTING

- | | | | |
|---|--|---|--|
| ↓ | PREVIOUS FUNCTION /
DECREASE DATA UNIT (-1) | ↑ | NEXT FUNCTION /
INCREASE DATA UNIT (+1) |
| ↵ | CONFIRM DATA /
CONFIRM FUNCTION | ← | DELETE DATA /
EXIT FUNCTION |



"Technician Menu" Summary

4 - TEST

4.1 - TEST DISPENSING

- 4.1.1 - COMP. DISPENSING
- 4.1.2 - WATER ONLY
- 4.1.3 - POWDER ONLY

4.2 - SPECIAL FUNCT.

- 4.2.1 - ESPR.UNIT ROTAT.
- 4.2.2 - RELEASE DOSE
- 4.2.3 - EMPTY ES. BOILER
- 4.2.4 - MANUAL INSTALL.
- 4.2.5 - FRESH BREW UNIT

4.3 - AUTOTEST

5 - MISCELLANEOUS

5.1 - D.A. REGISTRY

- 5.1.1 - INSTALL. DATE
- 5.1.2 - PROG. M/C CODE
- 5.1.3 - OPER. CODE ENTRY

5.2 - INITIALISING DB

5.3 - EVADTS

- 5.3.1 - CONNECTION

5.4 - UPKEY

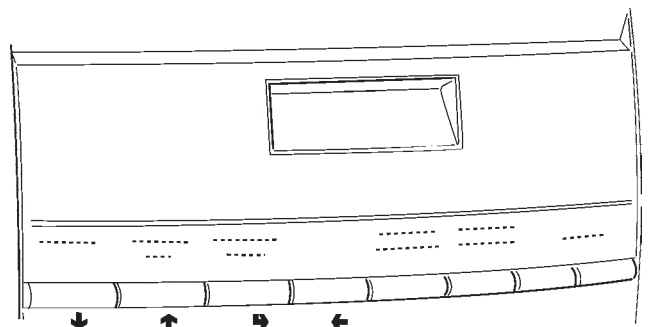
5.4.1 - SETUP MANAGEMENT

- 5.4.1.1 - UPKEY -> MACHINE
- 5.4.1.2 - MACHINE -> UPKEY
- 5.4.1.3 - DELETE
- 5.4.1.4 - DELETE ALL

5.4.2 - AUDIT MANAGEMENT

- 5.4.2.1 - MACHINE -> UPKEY
- 5.4.2.2 - DELETE
- 5.4.2.3 - DELETE ALL

- | | | | |
|---|--|---|--|
| ↓ | PREVIOUS FUNCTION /
DECREASE DATA UNIT (-1) | ↑ | NEXT FUNCTION /
INCREASE DATA UNIT (+1) |
| ↵ | CONFIRM DATA /
CONFIRM FUNCTION | ← | DELETE DATA /
EXIT FUNCTION |



Français

TABLE DE MATIERES

INTRODUCTION	PAG. 46	NOTES SUR LA PROGRAMMATION	PAG. 60
IDENTIFICATION DE L'APPAREIL	PAG. 46	MISE EN ROUTE	PAG. 60
EN CAS DE PANNE	PAG. 46	ETATS DE FONCTIONNEMENT	PAG. 60
TRANSPORT ET STOCKAGE	PAG. 46	FONCTIONNEMENT EN SERVICE NORMAL	PAG. 60
MISE EN PLACE DU DISTRIBUTEUR	PAG. 47	MODE DE NAVIGATION	PAG. 61
NOTICE D'INSTALLATION	PAG. 47	MENU DU CHARGEUR	PAG. 61
NOTICE D'EMPLOI	PAG. 47	STATISTIQUES	PAG. 61
NOTICE POUR LA DEMOLITION	PAG. 47	PRIX DES SÉLECTIONS	PAG. 62
CARACTERISTIQUES TECHNIQUES	PAG. 47	CONTROL DE TUBES DE RESTITUTION	PAG. 62
CONSOMMATION D'ENERGIE ELECTRIQUE	PAG. 48	AFFICHAGE DE LA TEMPÉRATURE	PAG. 62
ACCESSOIRES	PAG. 48	ESSAIS DE DISTRIBUTION	PAG. 62
CHARGEMENT ET NETTOYAGE	PAG. 49	PRÉ-ALARMS GSM	PAG. 63
INTERRUPTEURS DE RÉSEAU	PAG. 49	TRANSFERT EVADTS	PAG. 63
HYGIÈNE ET NETTOYAGE	PAG. 49	MASQUAGE MENU CHARGEUR	PAG. 63
UTILISATION DES DISTRIBUTEURS	PAG. 50	MENU DU TECHNICIEN	PAG. 64
COMMANDES ET INFORMATIONS	PAG. 50	PANNES	PAG. 64
CHARGEMENT DU CAFÉ	PAG. 50	PROGRAMMATION DES PARAMÈTRES	PAG. 65
CHARGEMENT DES POUDRES SOLUBLES	PAG. 50	STATISTIQUES	PAG. 70
FONCTIONS DE SERVICE	PAG. 51	TEST	PAG. 70
REPLISSAGE RÉSERVOIR		DIVERS	PAG. 70
ALIMENTATION EN EAU	PAG. 51	ENTRETIEN	PAG. 71
NETTOYAGE DU CUVETTE	PAG. 51	AVANT-PROPOS	PAG. 71
DÉMONTAGE ET NETTOYAGE MIXER	PAG. 52	ENTRETIEN GROUPE INFUSEUR	PAG. 71
NETTOYAGE DU GROUPE CAFÉ	PAG. 52	HYGIENE DES MIXERS	PAG. 72
MISE HORS SERVICE DE L'APPAREIL	PAG. 52	NETTOYAGE PÉRIODIQUE	PAG. 73
INSTALLATION	PAG. 53	FONCTIONS DES CARTES ET DES VOYANTS LUMINEUX	PAG. 74
INTERRUPTEURS DE RÉSEAU	PAG. 53	CARTE EXÉCUTIONS	PAG. 74
DEBALLAGE DU DISTRIBUTEUR	PAG. 53	CARTE TOUCHES-POUSSOIRS	PAG. 75
RACCORDEMENT AU RESEAU DE L'EAU	PAG. 53	CARTE DE COMMANDE CHAUDIERE	PAG. 75
BRANCHEMENT ELECTRIQUE	PAG. 54	CARTES SYSTÈMES DE PAIEMENT	PAG. 75
MONTAGE DU SYSTEME DE PAIEMENT	PAG. 55	CIRCUIT HYDRAULIQUE	PAG. 76
ADOUCCISSEUR	PAG. 55	RÉSUME MENU PROGRAMMATION	PAG. 77
INTRODUCTION LES ÉTIQUETTES	PAG. 55	SCHÉMA ÉLECTRIQUE	PAG. 89
INITIALISATION	PAG. 56		
REPLISSAGE DU CIRCUIT HYDRAULIQUE	PAG. 56		
FONCTIONNEMENT DU GROUPE CAFÉ	PAG. 57		
CYCLE DE DISTRIBUTION DU CAFÉ	PAG. 57		
CYCLE DE DISTRIBUTION DÉCAFÉINÉ	PAG. 58		
CONTROLES ET REGLAGES	PAG. 58		
RÉGLAGES STANDARDS	PAG. 58		
RÉGLAGE DU VOLUME DE CHAMBRE D'INFUSION	PAG. 58		
RÉGLAGE DE LA TEMPÉRATURE DE L'EAU	PAG. 59		
RÉGLAGE GRANULOMÉTRIQUE DE LA MOUTURE	PAG. 59		
RÉGLAGE DE LA DOSE DE CAFÉ	PAG. 59		

INTRODUCTION

Cette documentation fait partie intégrante de l'appareil et elle doit donc l'accompagner en cas de déplacement ou de transfert de propriété de l'appareil pour que d'autres usagers puissent le consulter.

Avant de procéder à l'installation et l'utilisation de l'appareil il faut lire attentivement et comprendre le contenu de ce manuel car il fournit des informations importantes en ce qui concerne la sécurité d'installation, la notice d'emploi et les opérations d'entretien.

Ce manuel s'articule autour de trois chapitres.

Le **premier chapitre** décrit les opérations ordinaires de chargement et de nettoyage à effectuer dans des endroits de l'appareil accessibles en utilisant uniquement la clé d'ouverture de la porte, sans utiliser d'autres outils.

Le **deuxième chapitre** contient les instructions relatives à une installation correcte ainsi que les informations nécessaires pour obtenir les meilleures prestations possibles de l'appareil.

Le **troisième chapitre** décrit les opérations d'entretien qui comportent l'utilisation d'outils pour accéder aux zones potentiellement dangereuses.

Les opérations décrites dans le deuxième et dans le troisième chapitre doivent uniquement être exécutées par un personnel possédant une connaissance spécifique du fonctionnement de l'appareil, tant du point de vue de la sécurité électrique que du point de vue des normes hygiéniques.

IDENTIFICATIONS DE L'APPAREIL ET DES SES CARACTÉRISTIQUES

Chaque appareil est identifié par un numéro spécifique, qu'on peut lire sur la plaquette des caractéristiques, placée à l'intérieur au côté droit.

La plaquette (voir figure) est la seule reconnue par le constructeur et porte toutes les données qui permettent au fabricant de fournir, rapidement et en pleine sécurité, les informations techniques de quel que soit modèle en vue de faciliter la gestion des pièces détachées.

EN CAS DE PANNE

Dans la plupart des cas, les inconvénients techniques peuvent être éliminés avec de petites interventions de réparation. A ce propos nous vous conseillons de lire attentivement ce manuel avant de contacter le fabricant. En cas de panne ou de mauvais fonctionnement persistant et non résoluble s'adresser à :

N&W GLOBAL VENDING SpA
Via Roma 24
24030 Valbrembo
Italy - Tel. +39 - 035606111

TRANSPORT ET STOCKAGE

Afin d'éviter d'endommager l'appareil, les manoeuvres de chargement et déchargement doivent être effectuées avec un soin particulier. Il est possible de soulever l'appareil, l'appareil doit être soulevé à l'aide d'un chariot élévateur, à moteur ou manuel, en positionnant les fourches dans la partie inférieure.

Par contre, il faut absolument éviter de :

- renverser le distributeur ;
- traîner le distributeur avec des cordes ou d'autre ;
- soulever le distributeur avec des attaches latérales ;
- soulever le distributeur avec des élingues ou des cordes ;
- secouer ou cahoter le distributeur et son emballage.

Le stockage doit se faire dans une ambiance sèche et avec des températures comprises entre 0° et 40 °C.

Avec emballage d'origine on ne peut que superposer plus de 2 appareils à la fois en prenant soin de maintenir la position verticale indiquée par les flèches sur l'emballage.

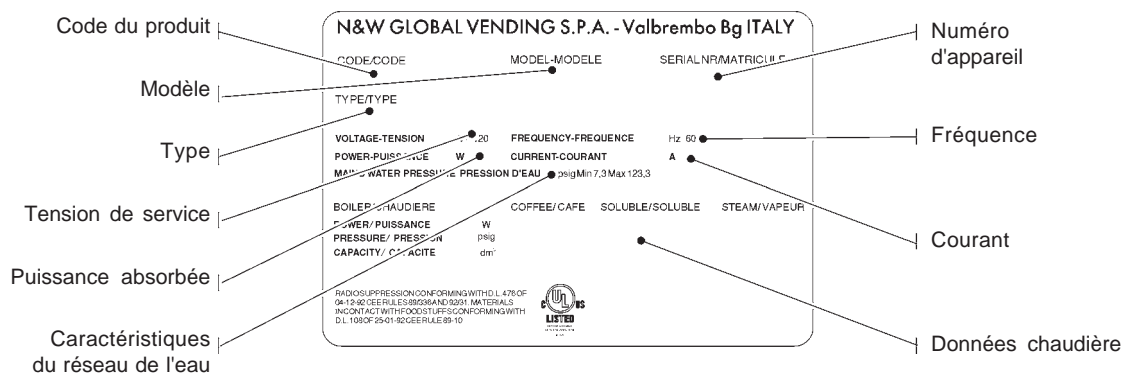


Fig. 1

MISE EN PLACE DU DISTRIBUTEUR

Cet appareil ne s'installe pas à l'extérieur, mais en lieu sec, et avec des températures comprises entre 2° et 32°C. Ne jamais l'installer dans une pièce où l'on se sert de jets d'eau pour nettoyer (par ex. : grandes cuisines, etc...). Le distributeur doit être installé près d'un mur. Laisser 4 cm au moins entre le mur et l'arrière de l'appareil pour la ventilation.

Eviter de le couvrir avec des chiffons ou similaires. L'appareil doit être installé sur une surface plane.

Important!!

L'accès à l'appareil pour l'entretien extraordinaire et/ou la réparation se fait par l'arrière et les côtés.

Il faudra donc prévoir la possibilité de le tourner pour pouvoir en démonter le panneau arrière et les flancs.

Mise en place sur meuble

L'appareil peut être installé sur table ou un autre support approprié (hauteur conseillée: 830 mm).

Il est préconisé d'utiliser le meuble spécial, où on peut loger la cuve des liquides résiduels, le kit d'autoalimentation en eau, le système de paiement et, si l'eau est très dure, l'adoucisseur.

NOTICE D'INSTALLATION

L'installation et les opérations d'entretien qui suivent doivent être prises en charge uniquement par du personnel qualifié, formé professionnellement au maniement de cet appareil, et conformément aux normes en vigueur.

L'appareil est vendu sans système de paiement, par conséquent, la responsabilité des dommages éventuels à l'appareil ou aux choses ou personnes étant le résultat d'une mauvaise installation du système de paiement retomberont uniquement sur la ou les personnes qui ont effectué l'installation.

L'intégrité de l'appareil ainsi que le respect des normes des installations correspondantes seront vérifiés une fois par an par un personnel qualifié.

Les éléments de l'emballage devront être mis au rebut dans le plein respect des lois en vigueur en matière de sauvegarde de l'environnement.

NOTICE D'EMPLOI

L'observance des règles qui suivent aidera à mieux respecter l'environnement :

- pour le nettoyage de l'appareil n'utiliser que de produits biodégradables ;
- les emballages des produits utilisés pour le chargement et le nettoyage et de l'appareil doivent être mis au rebut de manière appropriée ;
- la mise hors circuit de l'appareil pendant les moments d'inactivité assure une économie d'énergie considérable.

NOTICE POUR LA DEMOLITION



Le symbole indique que l'appareil ne peut être éliminé

en tant que déchet commun mais selon ce qui est prévu par la directive européenne 2002/96/CE (Waste Electrical and Electronics Equipments - WEEE) et par les législations nationales relatives, afin de ne pas porter préjudice à l'environnement et à la santé humaine.

Pour une bonne élimination de l'appareil, contactez le point de vente qui vous l'a vendu ou adressez-vous à notre SAV.

CARACTERISTIQUES TECHNIQUES

DIMENSIONS

Hauteur	500	mm
Largeur	331	mm
Profondeur	528	mm
Encombrement (porte ouverte)	724	mm
Poids	27	kg
Tension d'alimentation	120	V~
Fréquence d'alimentation	60	Hz
Puissance installée	1400	W

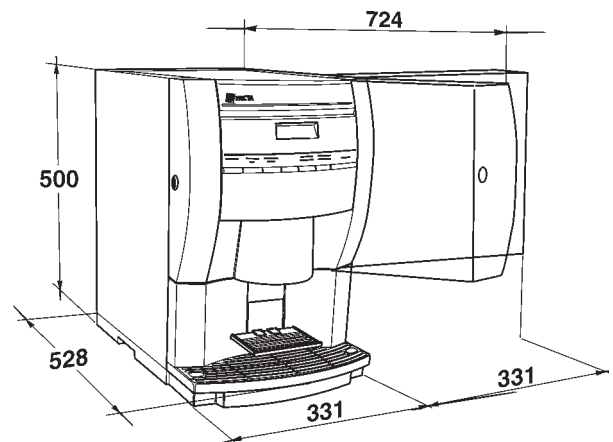


Fig. 2

SYSTÈME DE PAIEMENT

L'appareil peut abriter, en utilisant les kits prévus à cet effet, des systèmes de paiement fonctionnant avec protocole MDB.

Les systèmes de paiement doivent être installés dans le module latéral prévu à cet effet (en option).

PRIX DE VENTE

Prix de vente différents programmables pour chaque sélection ; le réglage standard prévoit le même prix de vente pour toutes les sélections.

ALIMENTATION EN EAU

Raccordement au réseau de l'eau avec une pression comprise entre 7.3 et 123.3 psig (0.5-8.5 bar).

REGLAGES POSSIBLES

Granulométrie du café Espresso.

Dose café Espresso.

Doses volumétriques de l'eau.

Doses temporisées de produits solubles.

Température de l'eau réglable via logiciel.

AUTORISATIONS

- présence d'eau
- présence de café
- température de service atteinte

SÉCURITÉS

- interrupteur général
- interrupteur de porte
- interrupteur fermeture toit
- présence cuvette marcs
- présence cuvette récupération liquides
- thermostats de sécurité de chaudières à réarmement manuel
- blocage flotteur "air-break"
- électrovanne anti-débordement
- protection temporisée pour :
 - pompe
 - motoréducteur groupe café
 - moulin
- protection thermique pour :
 - motodoseurs
 - motoréducteur groupe café
 - électroaimants
 - pompe
 - mixeurs électriques
 - moteur du moulin
- protection par fusible :
 - circuit électrique principal
 - transformateur d'alimentation platine

CAPACITÉ DES RÉCIPIENTS

Café en grains	350 gr
Lait	600 gr

CONSOMMATION D'ÉNERGIE ÉLECTRIQUE

La consommation d'énergie électrique de l'appareil dépend de plusieurs facteurs, tels que la température et l'aération du local où l'appareil est installé, la température de l'eau en entrée, la température dans la chaudière etc.

En effectuant la mesure avec une température ambiante de 22°C on a mesuré les consommations d'énergie suivantes :

Réalisation de température	64	W/h
Pour 24h de stand-by	1135	W/h

La consommation d'énergie calculée d'après les données moyennes susmentionnées ne doit se considérer qu'à titre indicatif.

ACCESSOIRES

L'appareil permet d'installer une vaste gamme d'accessoires pour en étendre les fonctions:

Les kits additionnels sont accompagnés par notices d'installation et d'essai qui doivent être suivies strictement afin de garantir la sécurité de l'appareil.

Important!!

L'emploi de kits d'installation non d'origine, et donc non approuvés par le constructeur, ne garantit pas le respect des normes de sécurité, en particulier en ce qui concerne les parties sous tension.

Le constructeur décline toute responsabilité pour l'emploi de composants non approuvés.

Le montage et les opérations d'essai qui suivent ne doivent être prises en charge que par du personnel qualifié, formé professionnellement au maniement de cet appareil soit du point de vu de la sécurité électrique soit en ce qui concerne les normes d'hygiène.

Chapitre 1

CHARGEMENT ET NETTOYAGE

INTERRUPTEURS DE RÉSEAU

Général

À l'extérieur de l'appareil est logé un interrupteur général qui ôte la tension sans qu'il soit nécessaire d'ouvrir la porte.

La boîte à bornes de soutien au câble de ligne, les fusibles et le filtre antiparasitage restent quand même sous tension.

De porte

Lorsqu'on ouvre la porte, un micro-interrupteur spécial coupe la tension de l'équipement électrique de l'appareil pour consentir les opérations, décrites dans la suite, de chargement et nettoyage ordinaire en sécurité totale.

Toit

Même si on ouvre le toit de l'appareil, un interrupteur ôte la tension afin qu'il soit possible d'accomplir en toute sécurité les opérations de chargement.

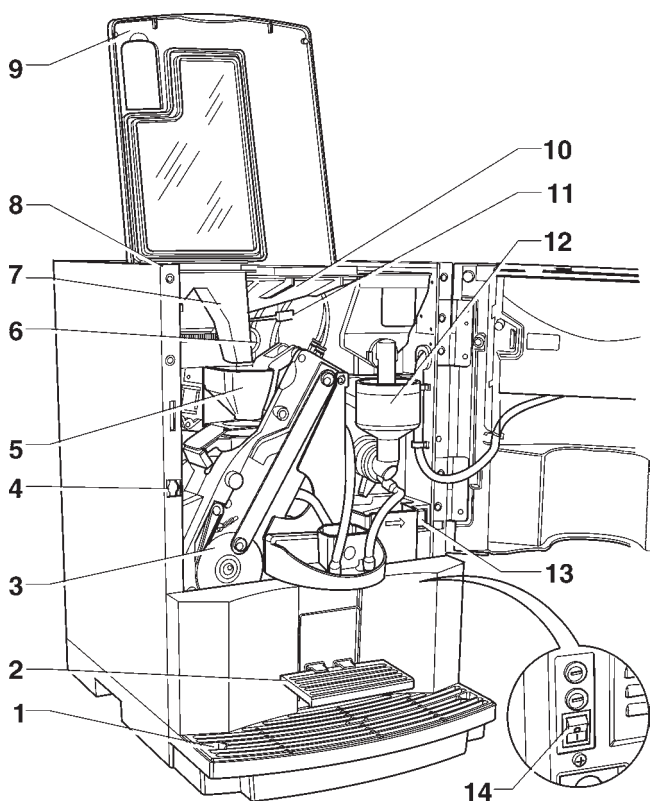


Fig. 3

- 1 - Cuvette fonds liquides
- 2 - Support basculant pour tasse
- 3 - Groupe infuseur
- 4 - Interrupteur porte
- 5 - Entonnoir café
- 6 - Poignée réglage mouture
- 7 - Conduit café décaféiné
- 8 - Interrupteur ouverture toit
- 9 - Toit appareil
- 10 - Récipient café en grains
- 11 - Vanne récipient café
- 12 - Mixer solubles
- 13 - Bouton relâchement cuvette becs
- 14 - Interrupteur général externe

Toutes les opérations qui demandent que l'appareil soit sous tension, **NE DOIVENT ÊTRE EFFECTUÉES QUE** par du personnel spécialisé et informé sur les risques que cette situation comporte.

HYGIÈNE ET NETTOYAGE

En relation avec les normes sanitaires et de sécurité en vigueur, l'opérateur d'un distributeur automatique est responsable de l'hygiène des produits alimentaires, pour prévenir la formation de bactéries, ainsi que de l'entretien machine.

Lors de l'installation il faudra prévoir une désinfection complète des circuits des liquides et des pièces en contact avec les aliments pour éliminer les bactéries qui peuvent s'être formées pendant le stockage.

Cet appareil ne s'installe pas à l'extérieur, mais en lieu sec, et avec des températures comprises entre 2° et 32°C.

Il est de règle d'utiliser les produits désinfectants (détergents au chlore ou similaires) aussi pour le nettoyage des surfaces n'étant pas directement en contact avec les aliments.

Certaines pièces de l'appareil peuvent être endommagées par l'usage de détergents non appropriés.

Le fabricant décline toute responsabilité pour les dommages dérivant de l'inobservance des instructions qui précèdent ou provoqués par l'utilisation d'agents chimiques non appropriés ou toxiques.

Avant d'exécuter quelque opération d'entretien que se soit mettre toujours l'appareil hors service, surtout lorsque le démontage de pièces est nécessaire.

Éviter absolument d'utiliser des jets d'eau pour effectuer le nettoyage.

UTILISATION DES DISTRIBUTEURS DE BOISSONS CHAUDES EN RECIPIENTS OUVERTS (Ex. gobelets plastique, tasses de céramique, carafes)

Les distributeurs de boissons en récipients ouverts doivent être affectés uniquement à la vente et distribution de boissons alimentaires obtenues par :

- infusion de café

- reconstitution de préparations solubles ou lyophilisées

Ces produits doivent être déclarés par le fabricant "appropriés pour la distribution automatique" en récipients ouverts du type alimentaire.

Les produits distribués doivent être consommés immédiatement. En aucun cas ils devront être conservés et/ou confectionnés pour être consommés ensuite.

Tout autre usage est considéré abusif et donc dangereux.

COMMANDES ET INFORMATIONS

L'appareil doit fonctionner à une température ambiante comprise entre 2° et 32°C.

Les étiquettes sur lesquelles figurent le menu et les instructions sont fournies avec l'appareil et doivent être placées lors de l'installation, pour ce faire se rapporter au tableau des doses des sélections.

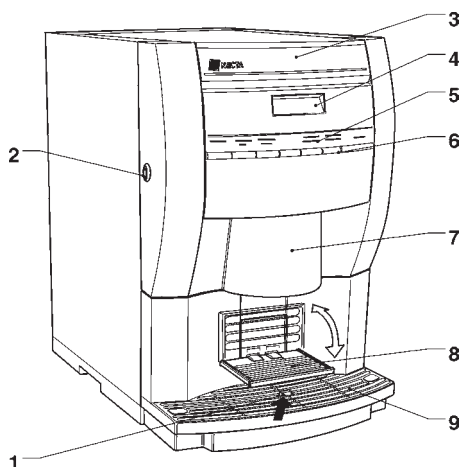


Fig. 4

- 1 - Indicateur flottant rouge
- 2 - Serrure
- 3 - Étiquette logos
- 4 - Afficheur alphanumérique
- 5 - Étiquette menu sélections
- 6 - Boutons de sélection
- 7 - Becs de distribution
- 8 - Support basculant pour tasse
- 9 - Cuvette fonds liquides

Les commandes et les notices pour l'utilisateur se trouvent sur le côté externe de la porte (voir fig. 4).

À l'intérieur de l'appareil, sur le côté interne de la platine des boutons il se trouvent placés le poussoir de Programmation qui donne l'accès aux fonctions machine et le poussoir de lavage des mixers.

Pour pouvoir entrer dans les menus de programmation, il est nécessaire d'appuyer sur le poussoir de programmation situé sur la carte poussoirs.

Dès lors, l'appareil se place dans la modalité Menu du Chargeur.

Pour se déplacer à l'intérieur des menus, utiliser les touches de sélection.

BRUIT

Le niveau de pression acoustique continue, équivalente et pondérée est inférieur à 70 dB.

CHARGEMENT DU CAFÉ

L'ouverture du couvercle n'est possible qu'à porte ouverte. Soulever le couvercle. Remplir le récipient du café en contrôlant que le registre de distribution soit ouverte complètement (voir fig. 5).

Il est recommandé d'utiliser un café de qualité afin d'éviter tout mauvais fonctionnement de l'appareil dérivant de la présence d'impuretés.

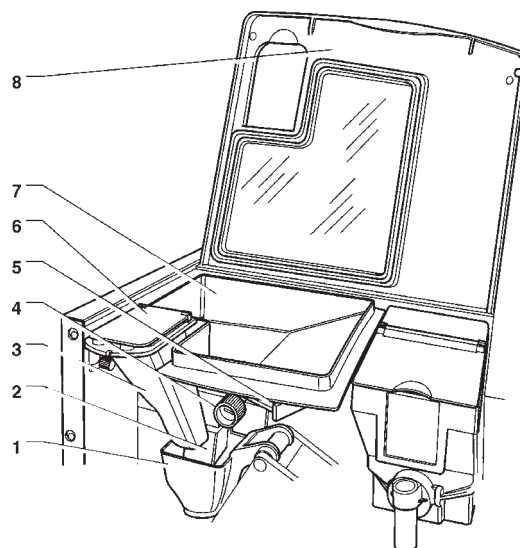


Fig. 5

- 1 - Entonnoir café
- 2 - Conduit café
- 3 - Conduit décaféiné
- 4 - Poignée réglage mouture
- 5 - Vanne récipient café
- 6 - Portillon introduction décaféiné
- 7 - Récipient café
- 8 - Toit appareil

CHARGEMENT DES POUDRES SOLUBLES

Ouvrir le toit de l'appareil et soulever le couvercle du récipient intéressé, introduire les produits à distribuer dans chaque récipient en prenant soin de ne pas les comprimer afin d'en éviter le tassement. S'assurer que les produits sont sans grumeaux. Fermer soigneusement le couvercle en vérifiant s'il est bien accroché.

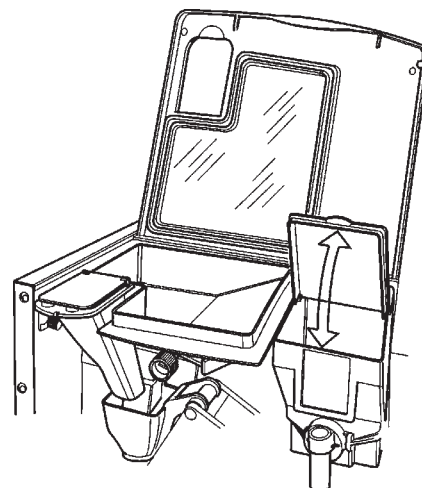


Fig. 6

FONCTIONS DE SERVICE

Certaines opérations, si celles-ci ont été activées dans le menu programmation, peuvent être effectuées directement lorsque la porte est fermée en saisissant un mot de passe (pression en séquence de 5 touches) après avoir pressé pendant plus de deux secondes la touche 7.

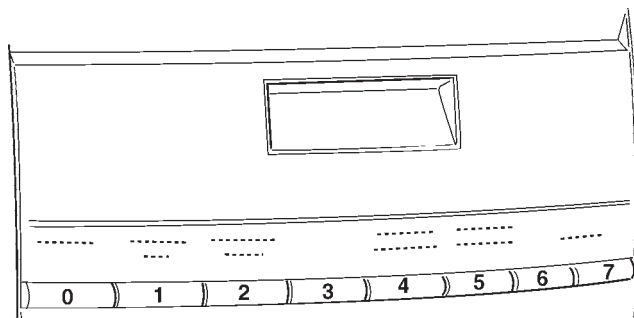


Fig. 7

Les opérations pouvant être effectuées sont les suivantes:

- distribution de plusieurs sélections dans une carafe (jug facilities) ;
- distribution gratuite d'une sélection ;
- blocage-déblocage fonctionnement clavier. Lorsque le blocage est actif, l'afficheur propose le message "SERVICE SUSP."
- lavage mixer. L'opération doit être effectuée quotidiennement et à l'occasion de chaque recharge de l'appareil pour éviter que des chutes accidentelles de produit durant le chargement puissent engorger le mixer.

REPLISSAGE RÉSERVOIR ALIMENTATION EN EAU

Pour les appareils qui utilisent un réservoir d'eau installé soit dans le meuble soit à l'extérieur ou à l'intérieur de l'appareil, il est nécessaire de nettoyer le réservoir au moins une fois par semaine.

NETTOYAGE DU CUVETTE A LIQUIDES

Les bacs de collection des liquides usés peuvent être aisément retirés (voir fig. 8) même à porte fermée pour en effectuer rapidement la vidange et le nettoyage.

La capacité du récipient café est supérieure à la capacité du cuvette des marcs (si on n'utilise aucun meuble de support).

Le logiciel de contrôle de l'appareil signale sur le display que le nombre de distributions de café maximum a été atteint en affichant le message "Vidange Cuvette".

Après quelques sélections l'appareil sera bloqué.

Le cuvette des marcs doit être vidangé **sans mettre la machine hors service** (à porte fermée), ce qui permet au logiciel de reconnaître l'opération effectuée.

En l'absence d'un cuvette de collection des marcs usés, l'appareil reste disponible pour la distribution de boissons solubles en affichant le message "Introduire cuvette" et les compteurs sont mis à zéro.

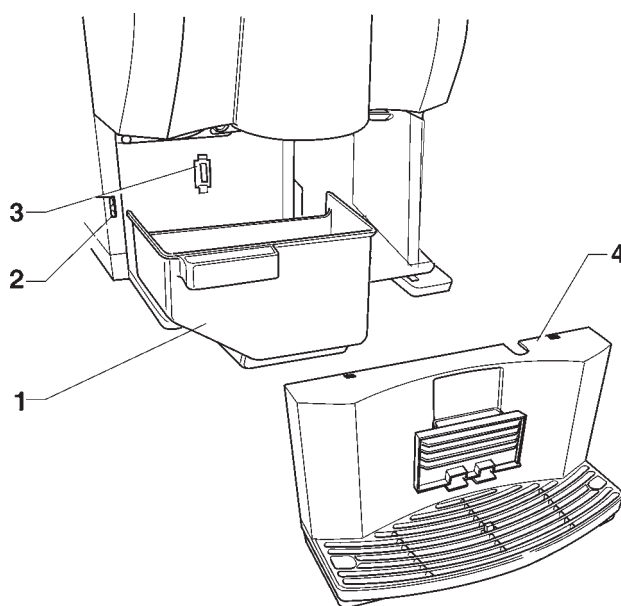


Fig. 8

- 1 - Cuvette fonds liquides
- 2 - Interrupteur présence cuvette fonds liquides
- 3 - Interrupteur présence cuvette marcs
- 4 - Cuvette fonds liquides

DÉMONTAGE ET NETTOYAGE MIXER

Au moment de l'installation, et puis toutes les semaines, ou bien plus fréquemment par rapport à la fréquence d'emploi de l'appareil ainsi qu'à la qualité de l'eau en entrée, les mixers et les conduits de distribution des boissons solubles doivent être faits objet d'une désinfection soignée, garantissant ainsi une parfaite hygiène des produits distribués.

Les pièces à nettoyer sont les suivantes :

- tiroirs de poudres, mixers et conduit de distribution des boissons solubles ;
- bec de distribution ;
- cuvette support becs ;
- enlever des mixers les convoyeurs, les entonnoirs des poudres et les entonnoirs de l'eau, les tiroirs des poudres et les rotors des mixers (voir fig. 9) ;

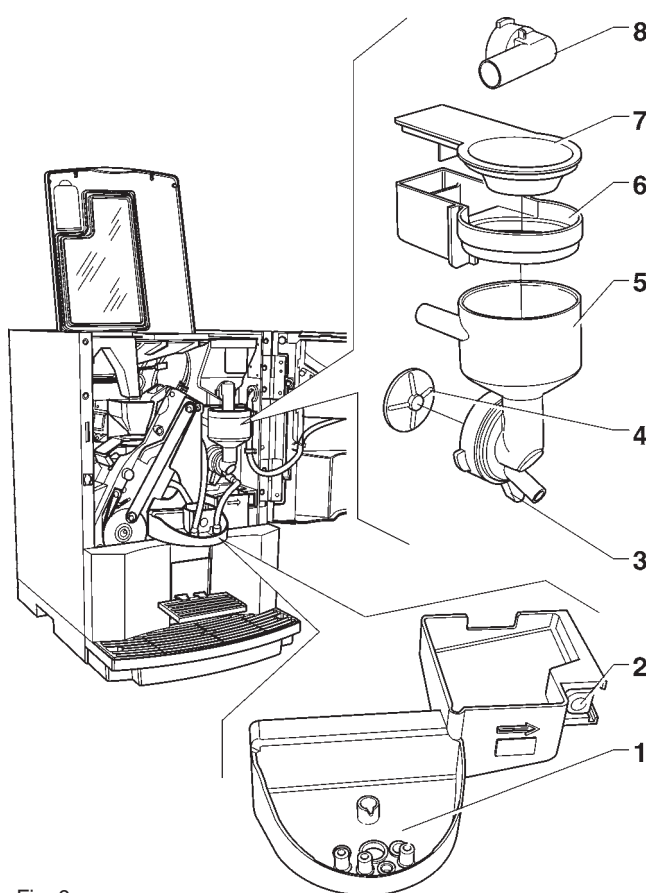


Fig. 9

- 1 - Becs de distribution
- 2 - Bouton déclenchement support becs
- 3 - Collier fixation entonnoir
- 4 - Hélice mixer
- 5 - Entonnoir eau
- 6 - Tiroir dépôt poudres
- 7 - Entonnoir produit
- 8 - Pipette convoyage produit

- pour démonter l'entonnoir eau, il est nécessaire de faire tourner le collier vert dans le sens antihoraire ;

veiller à bien le refermer lors du remontage ;

- pour dévisser les rotors il suffit de bloquer avec un doigt le disque monté sur l'arbre du mixer (voir fig. 10 et 11).

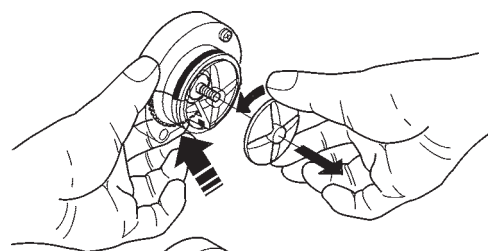


Fig. 10

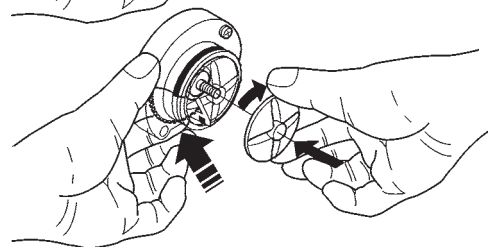


Fig. 11

NETTOYAGE GROUPE CAFÉ

Après chaque chargement, ou chaque semaine, il convient de nettoyer les parties externes du groupe café en éliminant les résidus de poudre, et en particulier la zone de l'entonnoir café, au moyen d'un pinceau ou d'un petit aspirateur (voir Fig. 24).

MISE HORS SERVICE DE L'APPAREIL

Si, pour une raison quelconque, l'appareil doit rester éteint pendant une période supérieure aux dates d'échéance des produits, il faut :

- vider complètement les conteneurs et les laver soigneusement avec les produits désinfectants utilisés pour les mixers ;
- vider complètement le doseur en distribuant du café jusqu'à ce que le vide soit signalé ;
- vider complètement le circuit hydraulique.

Chapitre 2 INSTALLATION

L'installation et les opérations d'entretien qui suivent, qui requièrent que l'appareil soit **sous tension**, doivent être prises en charge uniquement par du personnel qualifié, entraîné professionnellement au maniement de cet appareil, et informé des risques spécifiques que cette condition comporte.

Cet appareil ne s'installe pas à l'extérieur, mais en lieu sec, avec températures comprises entre 2° et 32° C. Ne jamais l'installer dans une pièce où on se sert de jets d'eau pour le nettoyage.

Lors de l'installation il faudra prévoir une désinfection complète des circuits des liquides et des pièces en contact avec les aliments pour éliminer les bactéries qui peuvent s'être formées.

INTERRUPTEURS DE RÉSEAU

Général

À l'extérieur de l'appareil est logé un interrupteur général qui ôte la tension sans qu'il soit nécessaire d'ouvrir la porte.

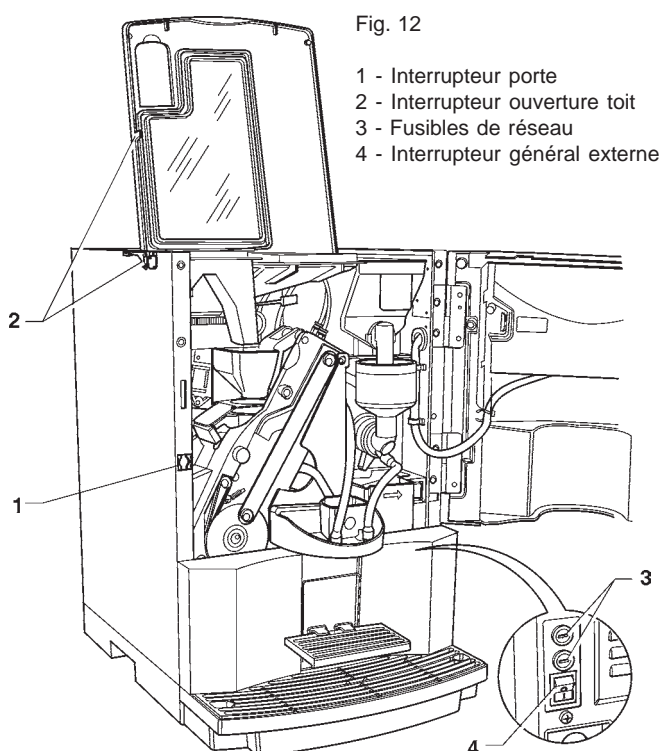
La boîte à bornes de soutien au câble de ligne, les fusibles et le filtre antiparasitage restent quand même sous tension.

De porte

Lorsqu'on ouvre la porte, un micro-interrupteur spécial coupe la tension de l'équipement électrique de l'appareil. Pour remettre l'appareil sous tension lorsque la porte est ouverte, il suffit d'engager la clé prévue à cet effet dans la fente (voir fig. 12).

Toit

Même si on ouvre le toit de l'appareil, un interrupteur ôte la tension afin qu'il soit possible d'accomplir en toute sécurité les opérations de chargement.



La clé de mise en marche ne doit pas être laissée à l'intérieur de l'appareil mais conservée par le personnel spécialisé formé à l'emploi de l'appareil.

Lorsque la porte est ouverte on n'a pas l'accès aux parties sous tension. A l'intérieur de l'appareil seulement les parties protégées par des couvertures restent sous tension, et elles sont indiquées par la plaquette suivante : "couper la tension avant de déposer la couverture".

Avant de déposer ces couvertures il faut débrancher l'appareil du réseau.

La porte ne peut être fermée qu'après avoir retiré la clé de l'interrupteur de porte et avoir refermé le toit de l'appareil.

DEBALLAGE DU DISTRIBUTEUR

Après déballage, vérifier que l'appareil soit intact. En cas de doutes, éviter d'utiliser l'appareil.

Ne pas laisser les éléments de l'emballage (sachets plastique, polystyrène, clous, etc...) à la portée des enfants : ils peuvent être dangereux.

Les éléments de l'emballage devront être mis au rebut dans le plein respect de l'environnement.

Important!!

L'appareil doit être installé sur une surface plane.

RACCORDEMENT AU RESEAU DE L'EAU

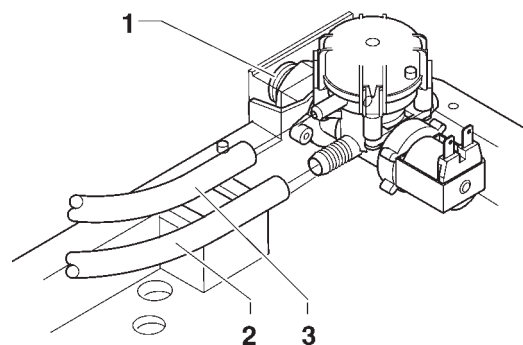
Certains modèles peuvent être reliés au réseau d'eau potable, en tenant compte des dispositions en vigueur dans le pays où l'appareil doit être installé.

La pression du réseau doit être comprise entre 7.3 et 123.3 psig (0,5-8,5 bar).

Faire couler l'eau du réseau hydraulique jusqu'à ce qu'elle soit tout à fait claire et sans traces de salissures.

Avec un tube approprié (disponible comme kit additionnel), à même de supporter la pression de réseau, et du type reconnu pour emploi alimentaire avec un diamètre interne d'au moins 6 mm, relier le réseau au raccord 3/4" gaz de l'électrovanne de l'arrivée d'eau (voir fig. 13).

Il est nécessaire d'installer un robinet sur le réseau de l'eau à l'extérieur de l'appareil et qu'il soit facile d'y accéder.



DISPOSITIF ANTI-DEBORDEMENT

L'électrovanne d'entrée de l'eau (voir fig. 13) est équipée d'un dispositif anti-débordement, qui bloque mécaniquement l'entrée d'eau lors d'une panne de l'électrovanne ou du mécanisme de contrôle du niveau d'eau dans la chaudière. Pour rétablir le service normal, procéder de la manière suivante :

- vidanger l'eau contenue dans le tuyau de trop-plein ;
- fermer le robinet du réseau hydraulique installé à l'extérieur de l'appareil ;
- dévisser l'écrou de fixation du tuyau d'alimentation de l'électrovanne pour décharger la pression résiduelle du réseau puis le resserrer (voir fig. 13) ;
- ouvrir le robinet et mettre l'appareil sous tension.

BRANCHEMENT ELECTRIQUE

L'appareil est prédisposée pour fonctionnement électrique avec une tension monophasée de 120 V~ et il est protégé par des fusibles de 15 A.

Ne raccorder pas l'appareil à un circuit fonctionnant à plus de 150 V de la mise à la terre.

Pour le brancher, s'assurer que les données de la plaque correspondent à celles du réseau, et notamment :

- que la valeur de la tension d'alimentation soit comprise dans les limites préconisées pour les points de branchement ;
- que l'interrupteur général soit accessible, et que ses caractéristiques lui permettent de supporter la charge maximale demandée tout en assurant le débranchement omnipolaire du réseau avec un écartement minimum de 3 mm entre les contacts.

L'interrupteur, la prise de courante et la fiche correspondante doivent être placés en position accessible de façon à ce qu'il soit possible de débrancher le câble en cas d'intervention.

Le câble d'alimentation est pourvu de fiche non-séparable. Le remplacement éventuel du câble (voir figure 14) doit être effectué uniquement par du personnel formé en utilisant des câbles du type UL SJTO 3x16 AWG.

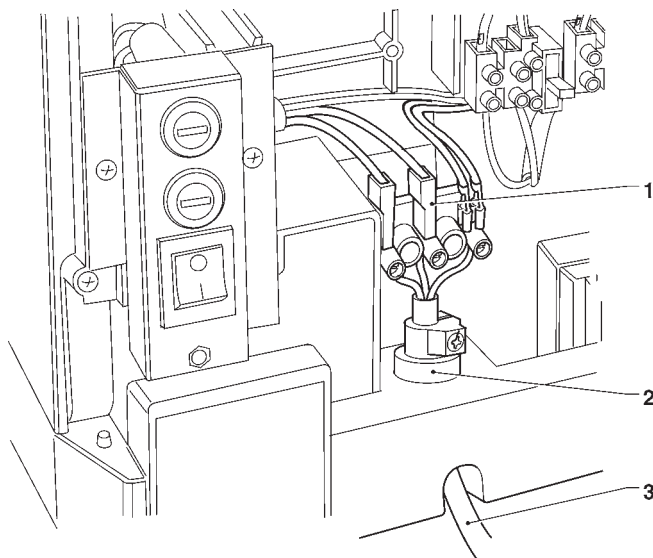


Fig. 14

- 1 - Bornier de raccordement
- 2 - Serre-câble
- 3 - Câble de branchement au réseau

La sécurité électrique de l'appareil n'est assurée que s'il est correctement mis à la terre, comme le prévoient les normes de sécurité en vigueur.

Il faut que cette condition de sécurité soit absolument assurée ; en cas de doutes, faire contrôler l'installation par du personnel qualifié.

Il est défendu d'employer des adaptateurs, des prises multiples et/ou des rallonges.

Avant de mettre l'appareil sous tension, s'assurer qu'il soit correctement raccordé au réseau de l'eau, et que le robinet soit ouvert.

LE FABRICANT DECLINE TOUTE RESPONSABILITE EN CAS DE DOMMAGES DUS AU NON-RESPECT DES INSTRUCTIONS QUI PRECEDENT.

MONTAGE DU SYSTEME DE PAIEMENT

L'appareil est vendu sans système de paiement, par conséquent, la responsabilité d'éventuels dommages à l'appareil ou aux choses ou personnes étant le résultat d'une mauvaise installation du système de paiement retomberont uniquement sur la ou les personnes qui ont effectué l'installation.

L'emploi d'autres systèmes de paiement tels qu'un validateurs, "change giver" ou un système "cashless" est possible lorsqu'on utilise les kits appropriés.

Les systèmes "cashless" peuvent être logés dans l'appareil ; d'autres systèmes de paiement, tels que les "change giver" doivent être installés physiquement dans le module latéral prévu à cet effet (en option).

ADOUCCISSEUR

L'appareil est fourni sans adoucisseur.

En cas de raccordement à un réseau d'eau très dure, il est nécessaire d'installer un adoucisseur.

Périodiquement les adoucisseurs (disponibles sur demande en tant qu'accessoires) doivent être régénérés selon les indications du fabricant.

Utiliser des appareils de décalcification ayant une capacité adaptée à l'emploi effectif de l'appareil.

En cas d'alimentation à partir d'un réservoir, il est possible d'utiliser les cartouches filtrantes spécifiques.

Les cartouches devront être remplacées périodiquement en fonction de la qualité de l'eau et des indications du fabricant.

INTRODUCTION DES ÉTIQUETTES

Les étiquettes portant le menu et les instructions usager sont fournies avec l'appareil et doivent être introduites dans leurs fentes par rapport au layout machine et à la langue choisie (voir tableau "doses de sélections").

Pour accéder aux fentes servant à introduire les étiquettes, enlever la protection latérale de la porte fixée avec deux vis (voir fig. 15).

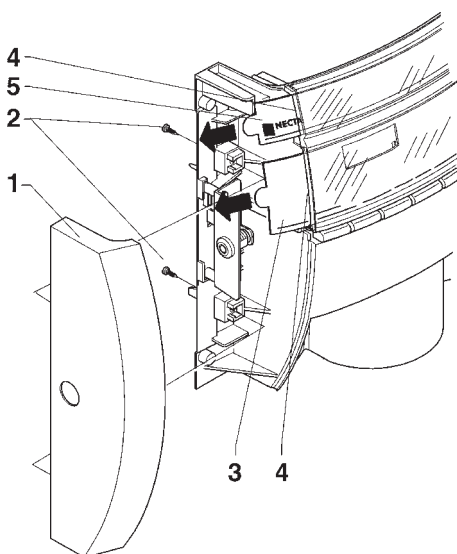


Fig. 15

- 1 - Protection latérale
- 2 - Vis de fixation
- 3 - Étiquette menu sélections
- 4 - Fentes introduction étiquettes
- 5 - Étiquette instructions pour l'utilisateur

MISE EN ROUTE

Avant de mettre en route l'appareil, s'assurer que les cuvettes des fonds et que les protections des récipients sont bien en place.

Chaque fois que l'appareil est mis sous tension, l'afficheur fait apparaître le message :

MISE EN ROUTE
Valider ?

Pour continuer, appuyer sur une touche de sélection quelconque.

Il est possible de programmer l'appareil pour activer la fonction d'affichage des contrôles à effectuer avant de mettre l'appareil en service, c'est-à-dire :

Tuyauterie (becs, etc.)

Mixer

Convoyeur poudres

Vanne café

Mise en route

L'écran affiche la question "Valider ?" pour tous les contrôles.

Pour continuer, appuyer sur une touche de sélection quelconque.

La fonction de présentation de la liste des contrôles préliminaires peut être activée (désactivée par défaut) à partir du menu de programmation.

Au terme du cycle de mise en route, l'afficheur présente le numéro de la version logicielle à laquelle il est nécessaire de se référer lors de la consultation du manuel de programmation.

Koro ES
REV 1.0

Il est possible de programmer l'appareil pour visualiser, pendant quelques secondes, le nombre de distributions effectuées.

Après quelques secondes, l'afficheur fait apparaître le message :

En fonction
SÉLECTIONNER LA BOISSON

INITIALISATION

Lorsque le display affiche la fonction "Initialisation" l'appareil peut être initialisé en remettant toutes les données par défaut à l'état initial.

Cette fonction doit être utilisée pour la première mise en route et en cas d'erreur des données en mémoire ou de remplacement de l'EPROM.

Toutes les données statistiques sont mises à zéro.

L'enfoncement de la touche de validation "➡" comporte l'affichage sur l'écran de la demande "Valider?". En appuyant une deuxième fois sur touche "➡" il est affiché le premier des paramètres variables pour définir la configuration de l'appareil.

Avec touches "↓" et "↑" on peut faire défiler les options possibles (clignotant), avec touche "➡" on confirme le choix et on passe au paramètre suivant. En appuyant sur touche "➡" après le dernier paramètre il sera affiché pour quelques secondes le message "En exécution" et l'appareil est initialisé.

Les paramètres contrôlés sont les suivants :

"Pays"	Type de doses à utiliser pour les sélections
"Layout"	Ordre des récipients et des menus des sélections parmi ceux disponibles
"Bidon"	Alimentation en eau du réseau ou du réservoir

N.B.: au moment de la première mise en marche du nouvel appareil ou, quoi qu'il en soit, après son initialisation, outre la liste des contrôles à effectuer est proposée la langue dans laquelle les messages pourront être présentés à l'écran.

Les touches "↓" et "↑" permettent de dérouler les langues disponibles et la touche "➡" permet de valider le choix.

Si on n'initialise pas l'appareil, il ne sera plus demandé de sélectionner la langue.

Il sera toutefois possible de la changer en utilisant la fonction spécifique à partir du menu "Technicien".

REPLISSAGE DU CIRCUIT HYDRAULIQUE

Les conditions de l'air-break (vide ou plein), l'enclenchement de la pompe et de la chaudière (sous pression ou non) sont contrôlées lors de la mise en marche de l'appareil.

Si les conditions le demandent, l'appareil effectue automatiquement un cycle d'installation, c'est-à-dire :

- le display affichera "Installation" pendant toute la durée du cycle ;
- ouverture de l'électrovanne de réseau ou démarrage de la pompe jusqu'à ce que l'air break soit rempli ;
- ouverture de l'électrovanne lait pour évacuer l'air dans la chaudière et dans le circuit hydraulique et permettre le remplissage de 400 cm³ d'eau.

N.B.: s'il n'y a pas d'eau dans le réseau durant le cycle d'installation, l'appareil se bloquera jusqu'à ce que celle-ci revienne ou au moment de sa mise à l'arrêt.

IMPORTANT!!!

Si dans le circuit de l'eau il se forment des vides consistants, par exemple par suite d'opérations d'entretien, il se peut qu'à la mise en route de l'appareil un cycle d'installation soit effectué automatiquement.

Modèles équipés de réservoir interne

Pour les modèles équipés de réservoir interne, lors de la première mise en route IL FAUT effectuer manuellement le déroulement d'installation (voir chapitre relatif).

FONCTIONNEMENT DU GROUPE CAFÉ

CYCLE DE DISTRIBUTION CAFÉ

Si l'on valide, en pressant sur une touche de sélection, le cycle de mise en route de l'appareil, le groupe café effectue une rotation complète, avant d'accomplir le cycle normal, pour assurer la mise en place du dispositif dans la position initiale.

Si l'on demande une sélection de café, le moulin fonctionne le temps nécessaire à remplir la chambre d'infusion avec la dose de café programmée via logiciel.

Quand la dose de produit moulu est atteint, le motoréducteur reliant la manivelle (2) au groupe effectue une rotation de 180° en provoquant l'oscillation de la chambre d'infusion et la descente du piston supérieur (3) (voir fig. 16).

Sous la pression de l'eau le ressort de pré-infusion (5) s'affaisse et le piston inférieur (4) s'abaisse de 4 mm, ce qui comporte la formation d'un coussin d'eau qui permet une utilisation uniforme de la pastille de café.

A la fin de la distribution, durant une pause de 3 secondes, le ressort de pré-infusion (5) expulse la couche d'eau au travers de la 3ème voie de l'électrovanne de distribution, en même temps pressant légèrement la pastille de café usée. L'achèvement de la rotation du motoréducteur produit le soulèvement des pistons et de la pastille par l'intermédiaire du levier oscillant (6).

Durant le retour de la chambre d'infusion en position verticale, le racleur placé sur l'entonnoir du café empêche le mouvement de la pastille usée en la faisant tomber.

Le piston inférieur peut ainsi retourner au point mort inférieur rappelé par le ressort (5).

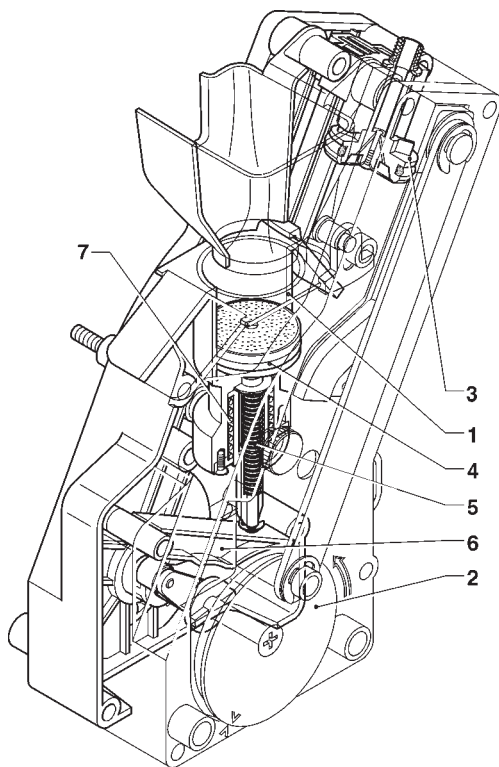


Fig. 16

- 1 - Chambre d'infusion
- 2 - Manivelle
- 3 - Piston supérieur
- 4 - Piston inférieur
- 5 - Ressort de pré-infusion
- 6 - Levier oscillant
- 7 - Ressort de pré-infusion

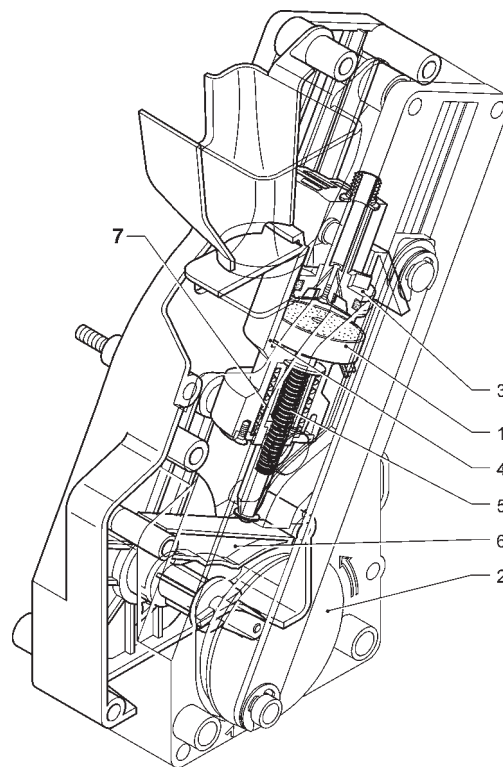


Fig. 17

- 1 - Chambre d'infusion
- 2 - Manivelle
- 3 - Piston supérieur
- 4 - Piston inférieur
- 5 - Ressort de pré-infusion
- 6 - Levier oscillant
- 7 - Ressort de pré-infusion

CYCLE DE DISTRIBUTION DÉCAFÉINÉ

L'appareil est fourni avec un portillon, servant à l'introduction de café moulu, bloqué.

En fonction des exigences de la location, on peut décider de débloquer le portillon pour pouvoir introduire manuellement du café décaféiné ou d'autres produits similaires.

Il est nécessaire de veiller à ce qu'aucun autre type de produits ne soit introduit.

Sur le portillon servant à l'introduction du café décaféiné est logé un aimant qui, à travers un capteur positionné sur la porte, signale à l'appareil que le portillon vient de s'ouvrir.

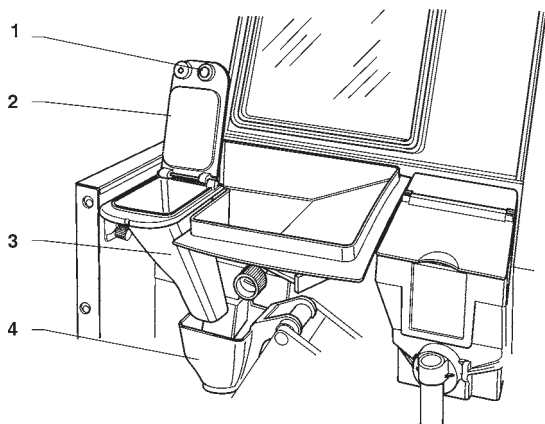
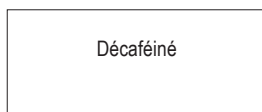


Fig. 18

- 1 - Aimant signalisation ouverture portillon
- 2 - Portillon décaféiné
- 3 - Entonnoir décaféiné
- 4 - Entonnoir café

L'afficheur présente un message clignotant :



Les sélections à base de café décaféiné sont distribuées sans l'intervention du moulin.

Le cycle d'infusion est le même que celui du café espresso. Si l'on appuie sur la touche spécifique "reset décaféiné" avant la distribution, la présélection "décaféiné" est annulée; l'appareil effectue une rotation du groupe infuseur et revient en mode de fonctionnement normal.

CONTROLES ET REGLAGES

Pour obtenir les résultats meilleurs par rapport aux produits utilisés, il faut contrôler :

La pastille de café, qui doit être légèrement comprimée et humide.

La granulométrie du café moulu.

Le dosage des différentes poudres.

La température des boissons.

La dose d'eau.

Si les réglages doivent être modifiés, suivre les indications des paragraphes qui suivent.

Le dosage des poudres solubles, la dose d'eau et la température sont contrôlés directement par le microprocesseur.

Pour les changer, il faudra suivre les procédures de programmation.

REGLAGES STANDARDS

Le distributeur est fourni réglé aux valeurs suivantes :

- température café (en sortie du bec): 70÷80° C environ ;
- température solubles (en sortie du bec): 70÷80° C environ.

Le tarage standard du distributeur associe toutes les sélections au même prix indiqué dans le tableau des doses sélections.

REGLAGE DU VOLUME DE CHAMBRE D'INFUSION

Le groupe café fonctionne avec des doses de café de 7,5 à 10,5 gr., et en plaçant correctement le piston supérieur. Pour changer la position du piston (voir fig. 19) il faut :

- retirer le circlip de son logement ;
- placer le piston dans les encoches correspondantes, et notamment :
 - .encoches moins profondes pour les doses de 7,5 à 9,5 gr (8 oz) ;
 - .encoches plus profondes pour les doses de 8,5 à 10,5 gr (12 oz).

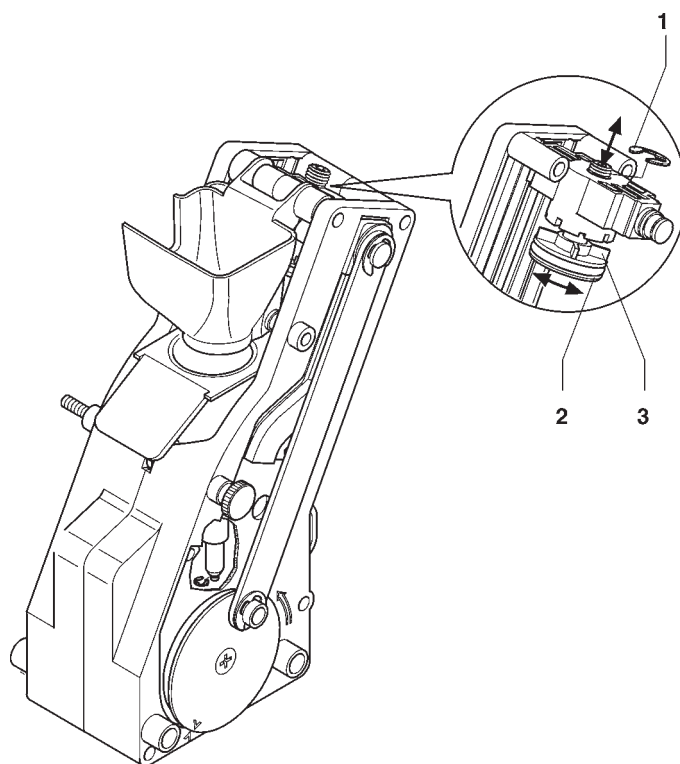


Fig. 19

- 1 - Circlip
- 2 - Piston supérieur
- 3 - Ailettes de repère

REGLAGE DE LA TEMPERATURE D'EAU

La température de la chaudière est contrôlée par le logiciel et peut être réglée directement à partir du menu.

REGLAGE GRANULOMETRIQUE DE LA MOUTURE

Si l'on doit varier la granulométrie de la mouture, il faut agir sur le bouton de réglage du moulin (voir Fig. 20) et notamment :

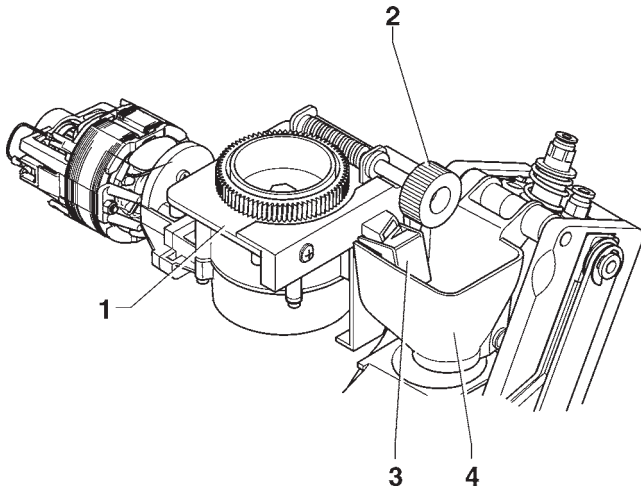


Fig. 20

- 1 - Macinino
- 2 - Manopola di regolazione macinatura
- 3 - Condotto caffè
- 4 - Imbuto caffè

- tourner le bouton dans le sens contraire à celui des aiguilles d'une montre pour obtenir une mouture plus grosse;

- tourner le bouton dans le sens des aiguilles d'une montre pour obtenir une mouture plus fine.

Cette opération doit être effectuée lorsque le moteur du moulin à café est en marche.

NOTA: Après avoir modifié la granulométrie de la mouture, effectuer au moins 3 tests de sélections pour bien contrôler la nouvelle mouture:

plus la mouture est fine, plus durera la distribution du café et vice versa.

Après avoir effectué le réglage, il est également nécessaire de contrôler la quantité de café moulu, qui peut subir de petites variations.

RÉGLAGE GRAMMAGE CAFÉ

Sur le moulin est présent un capteur qui est en mesure de compter les rotations des meules.

Ceci permet au logiciel de contrôle de l'appareil de déterminer le nombre de tours et, par conséquent, de grammes de café, associé à chaque sélection.

Avec les procédures de programmation, il est possible de définir combien de grammes (de 7,5 à 10,5 gr.) de café moulu doivent être associés à chaque sélection.

Pour prélever la dose, il suffira de retirer le groupe café et de sélectionner l'entrée spécifique depuis les "Fonctions spéciales" du menu "Technicien" (voir paragraphe correspondant).

Important!!!

Pour remonter le groupe café, faire très attention à la mise en position du piston. Les encoches de repère sur le disque externe et sur le boîtier du groupe doivent coïncider (voir fig. 24).

Notes sur la programmation

L'électronique de contrôle de l'appareil permet d'utiliser de nombreuses fonctions.

Dans le programme de l'appareil sont décrites toutes les fonctions prévues, y compris celles qui ne sont pas utilisées en raison de la configuration spécifique du modèle (layout).

L'appareil est fourni avec une table des doses qui décrit les diverses fonctions et lay out prévus pour le modèle spécifique, et qui reporte le diagramme de flux du menu de programmation.

Nous fournissons ci-après une explication succincte des principales fonctions utiles pour gérer au mieux le fonctionnement de l'appareil. Elles n'apparaissent pas nécessairement dans l'ordre de présentation dans les menus.

Pour de plus amples informations et explications détaillées, se référer au manuel de programmation disponible auprès de notre réseau de vente et de notre Service Après Vente.

La version du logiciel peut être mise à jour en utilisant les systèmes spécifiques (PC, Flash, Upkey, etc.)

Les messages de l'afficheur qui présentent l'opération en cours sont fixes alors que l'éventuelle demande adressée à l'utilisateur clignote.

MISE EN ROUTE

Chaque fois que l'appareil est mis sous tension (si la fonction est activée), l'afficheur propose la liste des contrôles devant être effectués avant de mettre l'appareil en service, c'est-à-dire :

Tuyauterie (becs, etc.)

Mixer

Convoyeur poudres

Vanne café

Mise en route

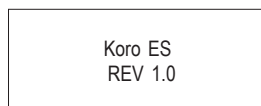


MISE EN ROUTE
Valider ?

L'écran affiche la question "Valider ?" pour tous les contrôles. Pour continuer, appuyer sur une touche de sélection quelconque.

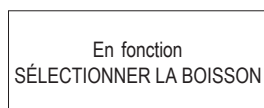
La fonction de présentation de la liste des contrôles préliminaires peut être désactivée à partir du menu de programmation.

Au terme du cycle de mise en route, l'afficheur présente le numéro de la version logicielle à laquelle il est nécessaire de se référer lors de la consultation du manuel de programmation.



Koro ES
REV 1.0

Il est possible de programmer l'appareil pour visualiser, pendant quelques secondes, le nombre de distributions effectuées. Après quelques secondes, l'afficheur fait apparaître le message :



En fonction
SÉLECTIONNER LA BOISSON

ETATS DE FONCTIONNEMENT

L'appareil peut se trouver en trois différents états de fonctionnement. Les différentes fonctions sont activées par les positions des touches du pavé numérique.

Les états possibles sont les suivants :

	FONCTIONS
Service normal	Acceptation monnaies distribution boissons
Menu du chargeur	Essais de distribution entretien D.A.
Menu du technicien	Programmation de paramètres

FONCTIONNEMENT EN SERVICE NORMAL

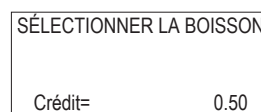
Durant le fonctionnement normal, l'afficheur présente le message destiné à l'utilisateur en l'invitant à sélectionner la boisson.

La fonction des touches peut être différente en fonction du lay out et des choix effectués durant la programmation.



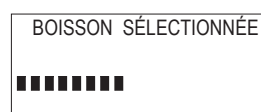
SÉLECTIONNER LA BOISSON

Lorsqu'on introduit des monnaies ou un système de paiement, le crédit disponible d'affiche.



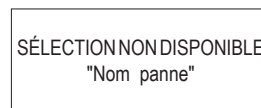
SÉLECTIONNER LA BOISSON
Crédit= 0.50

Durant la distribution, une barre d'état apparaît elle aussi pour indiquer le niveau de préparation de la boisson.



BOISSON SÉLECTIONNÉE
■■■■■■■■■■

En présence d'une anomalie détectée par le système de contrôle, un message d'erreur apparaîtra pour indiquer le type de problème rencontré :



SÉLECTION NON DISPONIBLE
"Nom panne"

Au terme de la distribution, l'afficheur demande pendant quelques secondes de prélever la boisson et l'appareil se prépare pour effectuer une autre distribution.



BOISSON PRÊTE
PRÉLEVER

MODE DE NAVIGATION

L'interaction entre le système et l'opérateur a lieu à travers les éléments suivants :

- Affichage à cristaux liquides (LCD) 2 lignes pour 16 caractères.
- Panneau des poussoirs externe à sélection directe qui, en modalité "Chargeur" et "Technicien", exercent les fonctions suivantes (voir fig. 21) :

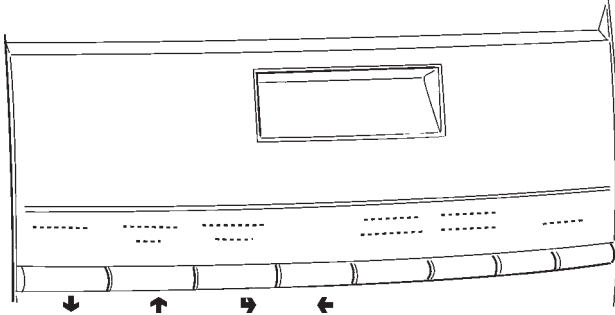


Fig. 21

Touches Défilement "↓" et "↑" :

Elles permettent de passer à l'option de menu suivante ou précédente et modifier les valeurs (plus et moins).

Touche Validation "➡" :

Elle permet de passer d'un menu à un sous-menu ou de confirmer les données affichées.

Touche Sortie "←" :

Elle permet de revenir d'un sous-menu au menu de niveau supérieur, ou bien de valider la donnée active à cet instant. Elle permet en outre de passer de la modalité "Technicien" à la modalité "Chargeur" et vice-versa.

Lorsque la porte est ouverte, la présence de l'aimant de la porte décaféiné ne peut être détectée correctement.

Sur la première ligne de l'afficheur apparaît, après le numéro et la fonction active du menu, un symbole qui simule l'état du portillon :

● = Portillon fermé (la mouture est effectuée durant les sélections d'essai) ;

○ = Portillon ouvert (la mouture n'est pas effectuée durant les sélections d'essai) ;

pour changer l'état du simulateur de la porte décaféiné, appuyer sur la dernière touche à droite.

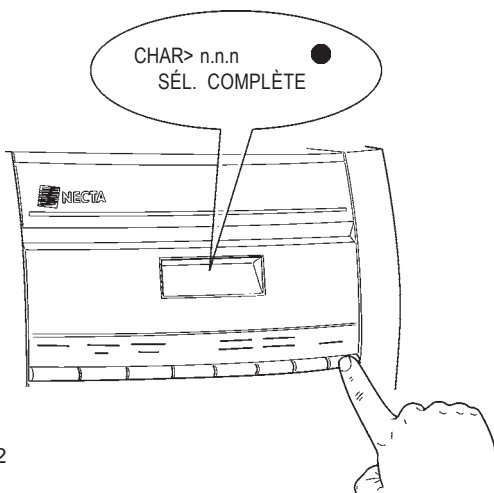


Fig. 22

MENU DU CHARGEUR

En appuyant une seule fois sur le touche de programmation, l'appareil se trouvera en mode "Menu chargeur".

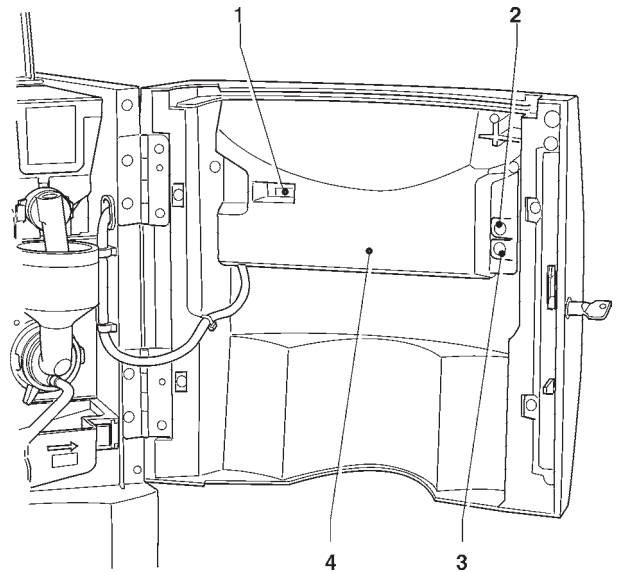


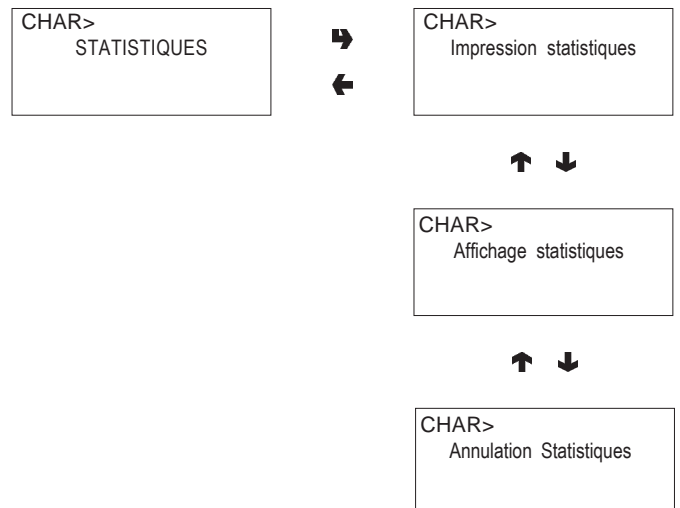
Fig. 23

- 1 - Compteur de coups mécanique
- 2 - Touche lavage
- 3 - Touche entrée programmation
- 4 - Protection carte touche

L'afficheur présente la première entrée du menu "chargeur" avec une série de numéros qui permettent d'identifier le niveau du menu dans lequel on se trouve.

Avec la touche de validation "➡" on accède au menu.

Avec la touche de Sortie "←" on revient au menu précédent.



STATISTIQUES

Toutes les données relatives aux ventes et au fonctionnement de l'appareil sont mémorisées dans des compteurs totaux et dans des compteurs relatifs qui peuvent être mis à zéro sans pour autant perdre les données totales.

Impression

En connectant une imprimante série RS-232 ayant un débit de 9600 Bauds, 8 bits d'information, aucune parité, 1 bit d'arrêt à la porte série placée sur la platine touche-poussoirs, il est possible d'imprimer toutes les statistiques. L'impression indique aussi l'identité l'appareil, la date et la version du logiciel.

La connexion imprimante se fait de la manière qui suit :

- Appuyer sur la touche de validation "↵" la requête de "Valider?" est affichée ;
- Avant de confirmer raccorder l'imprimante ;
- En appuyant sur la touche de validation "↵" on déclenche l'impression.

Affichage

Une pression sur la touche de validation "↵" permet d'afficher en séquence les mêmes données qui peuvent être obtenues grâce à l'impression des statistiques aussi bien pour les compteurs totaux que pour les compteurs relatifs.

Effacement

Les statistiques peuvent être mises à zéro pour de compteurs relatifs de manière globale (tout type de données) ou sélective pour :

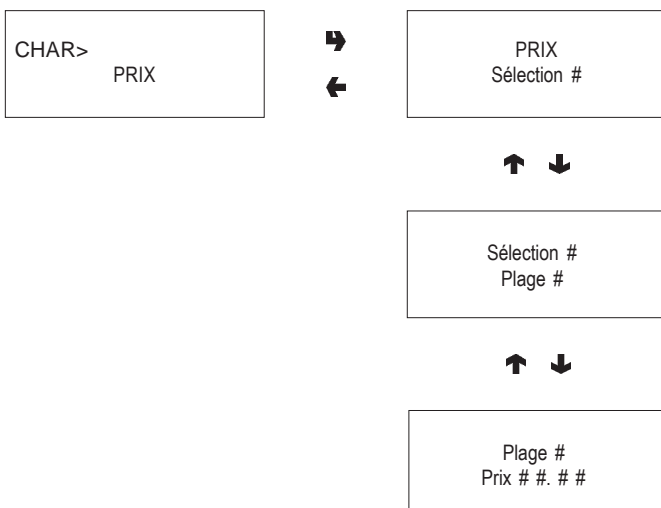
- sélections
- pannes
- données monnayeurs

En appuyant sur la touche de validation "↵" il sera affiché la requête "Valider?", qui clignote.

En appuyant sur la touche de validation "↵" pendant quelques secondes il sera affiché le message "En exécution" et les statistiques sont mises à zéro.

PRIX DES SÉLECTIONS

Cette fonction permet de modifier le prix de vente de chaque sélection et de chaque plage horaire éventuellement programmée.



CONTROL DE TUBES DE RESTITUTION

Une fois que la fonction "Contrôle tubes" est ouverte on peut charger ou vidanger manuellement les tubes de restitution.

Après validation du chargement, il sera affiché "Crédit : —" ce qui correspond à la valeur de l'argent disponible dans les tubes pour la restitution ; en introduisant dans le valideur la monnaie choisie, la valeur affichée du crédit présent dans les tubes, disponible pour la restitution, est augmentée.

Après validation de la vidange des tubes, on peut établir lequel des tubes doit être vidé. A chaque pression de la touche de validation "↵", une monnaie est rendue par le tube actif.

```
CHAR>
Contrôle tubes
```



```
CHAR>
Chargem. tubes
Crédit:#####
```

```
CHAR>
Vidange tubes
Crédit:#####
```



```
Vidange tubes
Tube A ÷ X
```

AFFICHAGE DE LA TEMPÉRATURE

Avec cette fonction, il est possible de lire directement en °C les températures détectées dans la chaudière.

Le symbole "○" indique que la résistance de la chaudière ne chauffe pas ;

Le symbole "●" indique que la résistance de la chaudière chauffe.

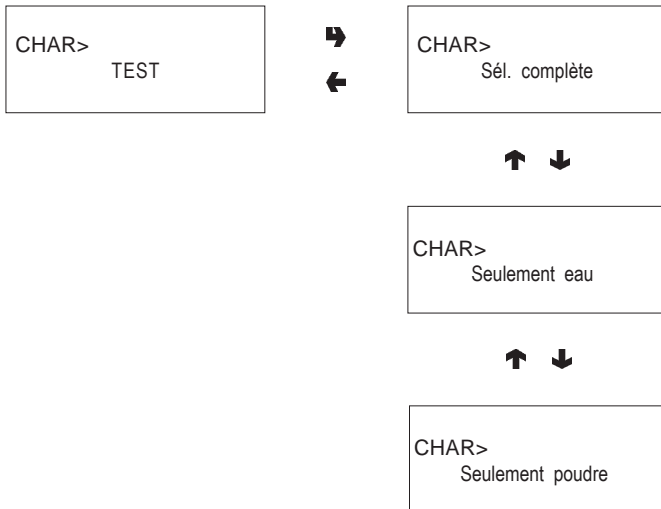
```
CHAR>
Température chaudière
```



```
Température chaudières
T. = ##.# °C ●
```

ESSAIS DE DISTRIBUTION

Pour les essais de distribution complets ou partiels (d'eau, Poudre, seulement et sans accessoires) chaque touche (ou combinaison de touches, en fonction des modèles) actionne la sélection correspondante (voir la table des doses sélections).



PRÉ-ALARME GSM

Le logiciel de contrôle est en mesure d'envoyer, via modem GSM, une signalisation de "en épuisement", lorsqu'il manque un certain nombre (programmable) d'éléments ou de grammes de poudre d'un produit donné. Avec cette fonction, les compteurs qui gèrent les pré-alarmes sont remis à zéro.



TRANSFERT EVADTS

Si l'on active cette fonction, l'appareil se place en attente de la connexion avec un dispositif pour la saisie des statistiques EVADTS.



N. B. : pour les sélections à base de café expresso, avec les distributions partielles de poudre et d'eau ne sont distribués que les ajouts ; si la sélection ne prévoit aucun ajout, l'afficheur fera apparaître "Sél. Désactivée".

MASQUAGE MENU CHARGEUR

Les fonctions décrites dans ce chapitre peuvent être inhibées depuis le "menu du technicien".

MENU DU TECHNICIEN

Nous fournissons ci-après une explication succincte des principales fonctions utiles pour gérer au mieux le fonctionnement de l'appareil. Elles sont regroupées selon une logique d'emploi et n'apparaissent pas nécessairement dans l'ordre de présentation dans les menus.

La version du logiciel peut être mise à jour en utilisant les systèmes spécifiques (PC, Flash, Upkey, etc.), raison pour laquelle ce qui est décrit dans ce chapitre n'est présenté qu'à titre indicatif.

Pour de plus amples informations et explications détaillées, voir la table des doses sélections fournie avec l'appareil et au manuel de programmation disponible auprès de notre réseau de vente, de notre Service Après Vente en se référant au numéro de révision qui apparaît lors de la mise en route de l'appareil.

En appuyant une seule fois sur la touche de programmation placée sur le compartiment monnayeurs, l'appareil se trouvera en mode "Menu chargeur".

Si l'on appuie sur la touche "←" à partir du mode "Chargeur", l'appareil se place en modalité "menu Technicien".

Note:

Si l'on appuie sur la touche "←" du menu du "Technicien", l'appareil revient en mode "menu Chargeur".

La première option du menu technicien est affichée, et permet d'obtenir les fonctions suivantes :

PANNES

L'appareil est équipé de plusieurs capteurs qui permettent de surveiller les divers groupes fonctionnels.

Quand une anomalie est détectée, une panne est "déclarée" et l'appareil (ou une partie de ce dernier) est mis hors service. La panne est mémorisée dans des compteurs spécifiques.

Les pannes contrôlées par le logiciel peuvent se référer à des groupes fonctionnels n'étant pas présents sur le modèle spécifique ; toutefois, elles apparaissent lorsqu'on déroule le menu.

Les pannes prévues sont mises en évidence dans les cas suivants :

Absence d'eau

Si le flotteur reste fermé pendant une minute, l'électrovanne d'entrée d'eau reste excitée jusqu'au retour de l'eau.

Si le kit d'alimentation hydrique à partir du réservoir interne est monté, la pompe s'éteint.

Cuvette des eaux usées plein

Après intervention du flotteur du cuvette de récupération des eaux usées.

Air-break

La machine se bloque si après 10 sélections de produits le microrupteur n'a jamais signalé l'absence d'eau.

Compteur volumétrique

Aucun comptage du compteur volumétrique (rotor) dans un délai de temps maxi.

Chaudière

La machine se bloque si après de temps maxi de chauffage depuis la mise en marche ou de la dernière sélection la chaudière n'a pas atteint la température de service.

Carte CAN-BUS

Aucun dialogue ne se produit entre carte de U.C.T. et carte can-bus (gestion groupe FB)

Monnayeur

La machine se bloque si elle reçoit une impulsion supérieure à 2 sec. sur une ligne du valideur, ou alors que la communication avec le monnayeur sériel ne se produit pendant plus de 30 secondes (protocole Executive) ou 75 secondes (protocole BDV).

Blocage machine

La machine se bloque lorsque le nombre de sélections programmé avec la fonction "compteur sélections" est atteint.

Blocage moulin à café

Si le moulin à café ne tourne pas ou tourne trop lentement, les sélections de café espresso sont désactivées. Les sélections à base de décaféiné restent, quant à elles, disponibles.

Groupe espresso

Cette panne est causée par un blocage mécanique du groupe.

La machine ne se bloque pas, mais les sélections à base de café sont désactivées.

Vide café

Si la fonction est activée à partir du menu programmation, l'afficheur présente le message "Introduire café", si le moulin à café dépasse la vitesse de mouture pendant plus de 5 secondes.

Données de RAM

Une ou plusieurs zones de la mémoire RAM contentent des données altérées ayant été corrigées avec les valeurs par défaut.

L'appareil continue à fonctionner, mais il est préférable de prévoir une ré-initialisation aussitôt que possible.

Piston fresh brew

Elle est provoquée par une erreur de positionnement du groupe. La machine n'est pas bloquée, mais les sélections à base de produit frais sont désactivées.

Racleur fresh brew

Erreur de positionnement du racleur des résidus.

La machine n'est pas bloquée, mais les sélections à base de produit frais sont désactivées.

Blocage Espresso

La machine se bloque lorsque le nombre de sélections de café programmé séparément avec la fonction "compteur sélections" est atteint.

Blocage Solubles

La machine se bloque lorsque le nombre de sélections solubles programmé séparément avec la fonction "compteur sélections" est atteint.

LECTURE PRÉSENTES

Lorsque le display affiche la fonction "Pannes" après actionnement de la touche de validation "↵" toutes les pannes présentes seront affichées. Si aucune panne n'est décelée, l'actionnement de la touche "↵" comportera l'affichage du message "Fin pannes".



MISE A ZERO

Après validation de cette fonction, toutes les pannes présentes sont mises à zéro.



PROGRAMMATION DES PARAMÈTRES

CASH

Ce groupe de fonctions permet de gérer tous les paramètres relatifs aux systèmes de paiement et aux prix de vente.



Prix des selections

On peut charger quatre prix différents pour chaque sélection, qui sont activés par rapport aux plages horaires, si activées. Les prix peuvent être programmés, pour chacune des 4 plages horaires (de 0 à 65.535), soit en mode global (même prix pour toutes les sélections) soit par sélection simple. Par conséquent, si on doit vendre la plupart des produits au même prix, il conviendra donc de programmer le prix en mode global et de changer le prix des sélections ayant un prix de vente différent.

Plages horaires

Il sont prévues quatre plages horaires programmables pour la vente des produits aux prix différents.

Les plages horaires sont programmables par heures (de 00 à 23) et par minutes (de 00 à 59) de départ et de fin.

Si les horaires de début et fin de plage sont posés à 00.00 la plage horaire est désactivée.

L'heure de référence est donné par une horloge interne programmable par:

jour/mois/année/jour de semaine 1-7

et puis par

heures/minutes/secondes.

Si les horaires de début et fin de plage sont posés à 00.00 la plage horaire est désactivée.

Monnayeurs

On peut choisir lequel des protocoles prévus pour le système de paiement doit être habilité et puis en contrôler les fonctions.

Les systèmes de paiement disponibles sont les suivants:

- Validateurs

- MDB

Après choix d'un des systèmes on peut en contrôler les fonctions.

Validateurs

Lorsque la fonction "Lignes Validat." (programmation des lignes) du menu "technicien" est activée on peut changer la valeur des 6 lignes de monnaie, de A à F, du validateur.

MDB

Les menus du protocole MDB permettent de définir les fonctions suivantes.

Type de vente

Refus du reste

Crédit maximum

Change maximum

Pièces de monnaie acceptées

Pièces de monnaie rendues

Billets acceptés

Niveau minimum dans les tubes

Pièces de monnaie acceptées avec "montant exact"

Pour plus de détails, se référer au manuel de programmation.

FONCTIONS COMMUNES À TOUS LES SYSTÈMES

Reste immédiat

Normalement, le montant correspondant à une sélection est encaissé après que l'appareil a envoyé le signal "Sélection réussie".

Si l'on habilite cette fonction (désactivée par défaut), le signal d'encaissement est envoyé au début de la distribution.

Point décimal

En appuyant sur la touche de validation "↵" on affiche la position du point décimal, et notamment:

0 point décimal désactivé

1 XXX.X

2 XX.XX

3 X.XXX

En appuyant sur la touche de validation "↵", ces valeurs clignotent et peuvent être changées.

SÉLECTIONS

Le menu sélections est composé de plusieurs sous-menus qui permettent de programmer les divers paramètres relatifs à la composition des sélections et indiquent les touches auxquelles elles doivent être associées.



Dose d'eau

Pour chaque touche de sélection on peut mémoriser la dose d'eau (exprimée en cm³ - FB - IN ou "coups d'hélice" ES selon les modèles) pour chaque produit dont la sélection se compose.

Gestion des mixers

Pour chaque touche de sélection, il est possible de programmer la durée du mixage pour chaque dose d'eau qui compose ladite sélection.

La durée peut être programmée selon deux modalités :

Absolue

c'est-à-dire indépendamment du temps d'ouverture de l'électrovanne. La valeur de la durée de mixage est programmée en dixièmes de secondes pour les modèles instant et en impulsions de compteur volumétrique pour les modèles Espresso.

Relative

c'est-à-dire par différence, en plus ou en moins, par rapport au moment de fermeture de l'électrovanne.

La valeur de la durée du mixage est toujours exprimée en dixièmes de secondes.

Tarage électrovannes

On peut entrer (IN - FB) la valeur du débit de chaque électrovanne en cc/s (la valeur en cc/s par défaut est indiquée sur le tableau de doses des sélections), ce qui permet de calculer les doses en cc à distribuer.

Dose de poudre

Pour chaque touche de sélection on peut programmer la dose de poudre exprimée en grammes pour chaque produit dont la sélection se compose.

En plus, on peut entrer la valeur du débit de chaque doseur en gr/s, pour calculer les quantités en grammes à distribuer.

Etat des selections

Pour chaque touche de sélection on peut établir s'il doit être activé ou non.

Touche-sélection

Permet d'associer un numéro de sélection, présent dans la table des doses sélections, à une touche du panneau des touches à sélection directe.

Vérification n. Sélection

Permet de vérifier le numéro de la sélection (uniquement sur les modèles à sélection directe) associé à une touche.

PARAMÈTRES DU DISTRIBUTEURS

Ce groupe de fonctions contrôle tous les paramètres relatifs au fonctionnement de l'appareil.



Température chaudière

Cette fonction permet de régler la température de service, exprimée en °C, de la chaudière.

Après choix de la chaudière concernée, en appuyant sur la touche de validation "↵" on verra que la température correspondante clignote, et cela signifie qu'elle peut être changée.

Bidon

L'alimentation en eau de l'appareil peut provenir du réseau ou d'un réservoir interne.

Cette fonction permet de définir si l'appareil doit être alimenté par le réseau (bidon = OFF), par un réservoir avec capteur de niveau eau (bidon = ON), par un réservoir sans contrôle de niveau (meuble équipé). Avec cette dernière option, le comptage des marcs dans la cuvette est lui aussi exclu.

Habilitation touche lavage

Cette fonction permet d'habiliter le fonctionnement de la touche lavage mixer.

Normalement, la touche est désactivée.

Contrôles mise en marche

Il est possible d'activer ou non (ON/OFF) la requête de messages de contrôle sur l'état de l'appareil (Tuyauterie... ?, mixer... ?, etc.) et la pression d'une touche pour la validation.

Buzzer

Si la fonction est activée et si le buzzer est monté sur la carte, l'appareil émet un signal sonore lors de la pression des touches et en fin de sélection.

Configuration compteur de régénération

Il est possible de visualiser le message "Remplacer filtre à eau" après un nombre programmable de distributions. Si elle est paramétrée dans le menu programmation, il est possible de réinitialiser – porte fermée – le message à l'aide d'un mot de passe après avoir remplacé le filtre.

Lavage automatique

On peut programmer l'heure où il doit se produire un lavage automatique des mixers ainsi qu'une rotation des groupes d'infusion installés. En posant l'heure sur 24.00 la fonction est désactivée (défaut).

Energy saving

Pour économiser de l'énergie électrique pendant les horaires où l'appareil n'est pas utilisé, cette fonction permet de mettre hors service le chauffage des chaudières et/ou les lumières d'éclairage extérieur.

On peut programmer sur base hebdomadaire 2 plages horaires de mise hors service ; les jours de la semaine sont identifiés par un numéro progressif (1=lundi, 2=mardi etc.). La même plage ne peut comprendre des jours de semaines différentes.

En cas d'erreur de programmation des plages horaires comportant leur chevauchement, l'appareil restera allumé pour la période de temps la plus brève.

Si par exemple on veut programmer les plages d'économie d'énergie (energy saving) en sorte de mettre en route l'appareil de 07.00 à 22.00 pendant les jours de la semaine et de l'éteindre le samedi et le dimanche, les plages devront être programmées comme illustré sur le tableau suivant.

jour		1	2	3	4	5	6	7
page 1	début	00.00	00.00	00.00	00.00	00.00	00.00	00.00
	fin	07.00	07.00	07.00	07.00	07.00	23.59	23.59
page 2	début	22.00	22.00	22.00	22.00	22.00	00.00	00.00
	fin	23.59	23.59	23.59	23.59	23.59	00.00	00.00

Cycle décaféiné

Si l'on habilite cette fonction, la distribution de la poudre de café soluble (si présente) a lieu en deux temps pour améliorer la présentation de la boisson.

Meuble équipé

Si on active cette fonction, l'appareil gère l'indicateur de niveau d'eau comme étant non présent et désactive le comptage des marcs.

Les fonctions du flotteur et de la récolte des marcs sont exercées par les dispositifs présents dans le meuble.

Compteur sélections

Cette fonction permet de bloquer l'appareil après un nombre programmable de distributions de café et un nombre programmable de distributions solubles ; dans l'alternative, il est possible de bloquer l'appareil après un nombre programmable de distributions.

Dans la mesure où cet instrument de contrôle ne peut être utilisé que par l'Exploitant, il est nécessaire de saisir un mot de passe de 5 chiffres pour pouvoir y accéder.

Après avoir saisi le mot de passe, il est possible de programmer après combien de distributions l'appareil doit se bloquer, de lire le nombre de distributions déjà effectuées et de remettre à zéro les compteurs de blocage.

N. B. : par défaut, les compteurs sont programmés à zéro; Lorsque les compteurs sont à zéro, cette fonction n'est pas active.

Vide café

Cette fonction permet d'activer ou non l'affichage à l'écran du message "introduire café".

DISPLAY

Ce groupe de fonctions contrôle tous les paramètres relatifs à l'affichage à l'écran.



Langue

Il est possible de choisir avec quelle langue, parmi toutes celles prévues par le logiciel, on souhaite que les messages apparaissent sur l'afficheur.

Message promotionnel

Il est possible de définir si le message doit ou ne doit pas être affiché

Le message de 2 lignes, peut être écrit à l'aide des touches "↑" et "↓" pour faire défiler les caractères disponibles.

Après actionnement de la touche de validation "↵" le premier caractère pouvant être changé clignote.

Le message est enregistré à l'aide de touche "←".

PRÉSÉLECTIONS

Cette fonction permet d'intervenir sur les présélections, associées à chaque sélection, présentes sur le modèle spécifique et le lay out.



Pour chaque présélection, il est possible de décider si l'on souhaite ou non habiliter la touche à laquelle l'associer, la modification du prix de la sélection et le pourcentage de variation de la dose de produit.

DIVERS

Ce menu recueille quelques-unes des fonctions les moins utilisées relatives aux paramètres de l'appareil.



Données groupe fresh brew

Pour le groupe Fresh brew, il est possible de définir le temps d'infusion, le temps de séchage de la pastille utilisée et la pression d'éjection.

Jug Facilities

Pour certains modèles, équipés de clé spéciale, on peut obtenir un nombre (programmable de 1 à 9, 5 par défaut) de sélections sans gobelet pour remplir une carafe personnelle.

Mot de passe programmation

Il s'agit d'un code numérique de 5 chiffres qui est demandé pour entrer en mode "menu technicien". Par défaut, ce code est posé à 00000.

Activation de mot de passe

Cette fonction permet d'activer ou non la requête de mot de passe pour gagner l'accès au mode "menu technicien". Par défaut, la requête de mot de passe est désactivée.

Mot de passe remise à zéro compteur

Cette fonction permet de paramétrer le mot de passe qui doit être saisi en condition de service normal (porte fermée) pour la remise à zéro des compteurs sélections. Lorsque le mot de passe est à zéro, cette fonction n'est pas active.

Mot de passe distributions multiples

Il est possible de paramétrer le mot de passe qui doit être saisi en condition de service normal (porte fermée) pour obtenir la distribution consécutive de plusieurs sélections (jug facilities). La fonction se désactive au terme de la sélection. Lorsque le mot de passe est à zéro, cette fonction n'est pas active.

Mot de passe vente libre

Cette fonction permet de paramétrer le mot de passe qui doit être saisi en condition de service normal (porte fermée) pour l'activation de la fonction de Free-Vend. La fonction se désactive au terme de la sélection.

Mot de passe blocage touches

Il est possible de paramétrer le mot de passe qui doit être saisi en condition de service normal (porte fermée) pour activer/désactiver le blocage du clavier. Durant le blocage, le message "SERVICE SUSP." apparaît à l'écran. Lorsque le mot de passe est à zéro, cette fonction n'est pas active.

Mot de passe lavage

Cette fonction permet de paramétrer le mot de passe qui doit être saisi en condition de service normal (porte fermée) pour l'exécution d'un lavage du mixer.

Mot de passe sélections d'essai

Il est possible de paramétrer le mot de passe qui doit être saisi en condition de service normal (porte fermée) pour entrer en mode entretien/programmation et effectuer des sélections d'essai. Pour revenir en condition de service normal, il est nécessaire de passer 3 fois de l'aire CAR à l'aire TECHN et vice-versa.

Mot de passe reset filtre

Cette fonction permet de paramétrer le mot de passe pour réinitialiser le message "Remplacer filtre à eau" (porte fermée) et de remettre à zéro le compteur après que le filtre a été remplacé.

Activation menu chargeur

Cette fonction permet de définir les options du menu qui doivent rester actives et celles qu'il faut désactiver. Les numéros de référence du menu ne changent pas, même si certains d'entre eux sont désactivés.

STATISTIQUES

Les données sur le fonctionnement de l'appareil sont mémorisées soit à l'aide de compteurs généraux soit de compteurs relatifs pouvant être mis à zéro sans aucune perte des données totaux.



Compteur électronique

Un compteur électronique mémorise en mode agrégé toutes les distributions effectuées depuis la dernière remise à zéro.

Affichage générales

En appuyant sur la touche de validation "↵" les données mémorisées sont affichées en séquence, et notamment:

- 1 - compteur de sélection individuelle ;
- 2 - compteur par plages ;
- 3 - compteur d'escompte ;
- 4 - compteur de pannes ;
- 5 - données monnayeur.

Mise a zero generales

Les statistiques peuvent être mises à zéro de manière globale (tout type de données) ou sélective pour:

- sélections
- escomptes-majorations
- pannes
- données monnayeurs

En appuyant sur la touche de validation "↵" il sera affiché la requête "Valider?", qui clignote.

En appuyant sur la touche de validation "↵" pendant quelques secondes il sera affiché le message "En exécution" et les statistiques sont mises à zéro.

Affichage relatifs

En appuyant sur la touche de validation "↵" fait apparaître en séquence les données mémorisées, avec la même subdivision utilisée pour les statistiques générales.

Mise a zero relatifs

Les statistiques peuvent être mises à zéro de manière globale (tous les types de données) ou en mode sélectif, comme pour les statistiques générales.

Habilitation sélections mise en route

Cette fonction permet d'habiliter ou non l'affichage du nombre total de distributions effectuées dès la dernière mise à zéro des statistiques, lors de la mise en route de l'appareil.

Impression

En connectant une imprimante série RS-232 ayant un débit de 9600 Bauds, 8 bits d'information, aucune parité, 1 bit d'arrêt à la porte série placée sur la platine touche-poussoirs, il est possible d'imprimer toutes les statistiques décrites dans le paragraphe "affichage des statistiques générales" e "affichage des statistiques relatives" ; L'impression indique aussi le code de machine, la date et la version du logiciel.

L'impression des statistiques peut se faire de manière partielle ou totale.

La connexion imprimante se fait de la manière qui suit:

- Appuyer sur la touche "↵" la requête de "Valider?" est affichée ;
- Avant de confirmer raccorder l'imprimante ;
- En appuyant sur la touche de validation "↵" on déclenche l'impression.

TEST

Avec ce groupe de fonctions, il est possible d'effectuer un certain nombre de contrôles sur l'appareil.



Essais de distribution

Cette fonction donne la possibilité d'obtenir, lorsque la porte est ouverte sans introduire le montant, pour chaque sélection, la distribution de :

- sélection complète
- seulement eau
- seulement poudre

Fonctions spéciales

L'entrée dans la fonction permet :

- d'actionner le groupe d'infusion espresso ;
- déclencher une dose de café moulu ; avec la touche de validation "↵", la dose est mémorisée ;
- d'ouvrir une électrovanne pour permettre l'entrée d'air en cas de vidage pour effectuer les opérations d'entretien de la chaudière ;
- d'accomplir l'installation manuelle de la chaudière.

Autotest

Cette fonction permet de vérifier, en mode semi-automatique, le fonctionnement des composants principaux de l'appareil.

En appuyant sur la touche "↵" il sera affiché le message clignotant "AUTOTEST".

Il est possible de renoncer à une opération et de passer à la suivante au moyen de la touche "←" ; la validation effectuée avec la touche "↵" lance le cycle d'autotest.

Certains contrôles ont lieu automatiquement ; d'autres nécessitent l'actionnement manuel de l'élément contrôlé. Pour la séquence d'exécution, se référer au manuel de programmation.

DIVERS

Ce menu contient quelques sous-menus, dont l'utilisation est moins fréquente, qui permettent de contrôler les fonctions qui suivent.



Identité d'appareil

Date installation

Avec cette fonction on enregistre la date courante du système en tant que date d'installation. La date est imprimée lors de l'extraction des statistiques.

Programmation du code machine

Lorsque le display affiche la fonction "Code Machine" il est possible de changer le code numérique à huit chiffres d'identification de la machine (par défaut à 0).

Programmation du code exploitant

Lorsque le display affiche la fonction "Code Exploitant" il est possible de changer le code numérique à six chiffres d'identification des groupes machines (par défaut à 0).

Initialisation

Lorsque le display affiche la fonction "Initialisation" l'appareil peut être initialisé en remettant toutes les données par défaut à l'état initial.

Cette fonction doit être utilisée en cas d'erreur de données mémorisées ou de remplacement du logiciel..

Hormis le compteur électronique général, toutes les données statistiques sont mises à zéro.

enfoncement de la touche de validation "➡" comporte l'affichage sur l'écran de la demande "Valider?". En appuyant une deuxième fois sur touche "➡" quelques paramètres sont demandés, et notamment :

"Pays"

Ce paramètre se rapporte au type de dose de base pour les différentes sélections (p.e. IT café = 45 cc - FR café = 80 cc).

Les "pays" prévus changent, selon les modèles.

"Layout"

Pour chaque modèle et type de doses, il est prévu un certain nombre de combinaisons Touches-Sélections parmi lesquelles il est possible de faire son choix (les combinaisons prévues pour chaque lay-out sont indiquées dans le tableau des doses de sélections joint à la machine).

"Bidon"

Permet de définir si l'alimentation en eau provient :

ON - d'un réservoir avec indicateur de niveau minimum

OFF - du réseau

Meuble équipé - d'un réservoir sans indicateur.

Après validation de les options il apparaît le message "Exécution" pendant quelques seconde.

"Langue"

Au moment de la première mise en marche du nouvel appareil ou, quoi qu'il en soit, après son initialisation, outre la liste des contrôles à effectuer est proposée la langue dans laquelle les messages pourront être présentés à l'écran.

Les touches "↓" et "↑" permettent de dérouler les langues disponibles et la touche "➡" permet de valider le choix.

Si on n'initialise pas l'appareil, il ne sera plus demandé de sélectionner la langue.

GESTION SETUP UP KEY

Up key -> distributeur

Si l'on valide cette fonction après avoir introduit l'Up key dans la prise spécifique située sur la carte U.C.T., il sera possible de sélectionner le fichier de setup depuis la liste qui apparaîtra à l'écran, à l'aide des touches de défilement ; si l'on confirme ensuite avec la touche de validation, le setup choisi sera chargé dans le distributeur.

Distributeur -> up key

Si l'on valide cette fonction après avoir introduit l'Up key dans la prise spécifique située sur la carte U.C.T., il sera possible de sauvegarder sur l'up key le fichier de setup avec la configuration présente à cet instant dans le distributeur, en spécifiant le nom que l'on souhaite attribuer au fichier (par ex. : Max000.STP).

Éliminer

Avec cette fonction, il est possible d'éliminer un à un tous les fichiers de setup présents sur l'up key introduite.

Éliminer tous

Avec cette fonction, il est possible d'éliminer tous les fichiers de setup présents sur l'up key introduite.

GESTION STATISTIQUES UP KEY

Distributeur -> up key

Si l'on valide cette fonction après avoir introduit l'Up key dans la prise spécifique située sur la carte U.C.T., il sera possible de sauvegarder sur l'up key le fichier de statistiques reportant toutes les données statistiques présentes à cet instant dans le distributeur, en spécifiant le nom que l'on souhaite attribuer au fichier (par ex. : Max000.STA).

Éliminer

Avec cette fonction, il est possible d'éliminer un à un tous les fichiers de statistiques présents sur l'up key introduite.

Éliminer tous

Avec cette fonction, il est possible d'éliminer tous les fichiers de statistiques présents sur l'up key introduite.

Chapitre 3 ENTRETIEN

Important!!

L'accès à l'appareil pour l'entretien extraordinaire et/ou la réparation se fait par l'arrière et les côtés.

Il faudra donc prévoir la possibilité de le tourner pour pouvoir en démonter le panneau arrière et les flancs.

L'intégrité de l'appareil et la conformité aux normes des installations correspondantes devront être vérifiées, au moins une fois par an par du personnel qualifié.

La boîte à bornes de liaison câble de ligne, les fusibles et le filtre antiparasitage restent sous tension, même si les interrupteurs généraux sont éteints.

Toujours déconnecter l'appareil du réseau d'alimentation électrique avant de procéder à des opérations d'entretien qui requièrent le démontage de pièces.

Les opérations qui suivent doivent être exécutées uniquement par du personnel ayant une connaissance spécifique du fonctionnement de l'appareil soit du point de vue de la sécurité électrique soit en ce qui concerne l'hygiène.

AVANT-PROPOS

Pour assurer le bon fonctionnement de l'appareil dans le temps, il faut le soumettre à un entretien périodique.

Nous indiquons ci-après les opérations nécessaires et leurs fréquences ; elles ne sont fournies qu'à titre indicatif, étant donné qu'elles dépendent des conditions d'emploi (ex. dureté de l'eau, humidité et température ambiante, type de produit employé, etc...).

Les opérations contenues dans ce chapitre ne couvrent pas toutes les interventions d'entretien.

Des interventions plus complexes (ex. nettoyage de la chaudière) devront être effectuées par un technicien expert de distributeurs.

Afin d'éviter tout risque d'oxydation ou d'agression chimique en général, il convient de nettoyer les surfaces en acier inoxydable et peintes avec des détergents neutres (éviter les solvants).

Les jets d'eau sont formellement déconseillés pour nettoyer l'appareil.

ENTRETIEN DU GROUPE D'INFUSION

Toutes les 10.000 distributions ou, de toute façon, tous les 6 mois il faut soumettre le groupe d'infusion à un entretien, quand bien même limité.

L'entretien se fait de la manière suivante:

- séparer le tuyau en Teflon de raccordement à la chaudière du piston supérieur, en prenant soin à conserver le joint (voir fig. 24);
- dévisser la poignée qui fixe le groupe à l'étagère;
- déposer le groupe d'infusion.

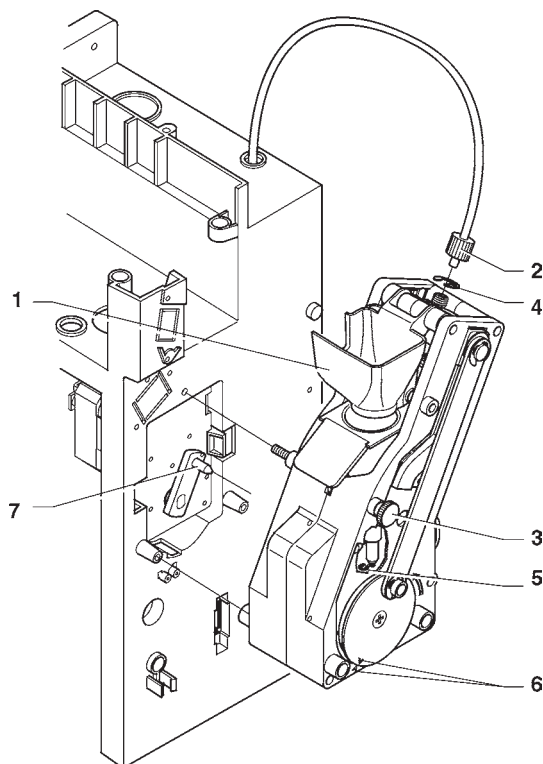


Fig. 24

- 1 - Entonnoir café
- 2 - Tuyau de raccordement à la chaudière
- 3 - Poignée de blocage du groupe
- 4 - Circlip d'arrêt piston supérieur
- 5 - Circlip d'arrêt piston inférieur
- 6 - Encoches de repère
- 7 - Axe de manivelle du moto-réducteur

Démontage du filtre supérieur

- Retirer le circlip de son logement;
- enlever le piston de la traverse;
- déposer le filtre et le joint du piston.

Démontage du filtre inférieur

- Démontez l'entonnoir café (voir fig. 24);
- retirez le circlip d'arrêt du piston inférieur;
- retirez le piston de la chambre d'infusion et démontez le filtre.

Plonger les pièces démontées pendant 20' environ dans une solution d'eau bouillante et de détergent pour machines à café.

Rincer abondamment, sécher le tout et remonter dans l'ordre inverse prenant un soin particulier à ce que:

- le piston soit remis en place en respectant les encoches correspondantes à la dose de café choisie (voir paragraphe relatif);
- les deux encoches de repère coïncident parfaitement pour assurer la mise en place correcte du groupe café.

Important!!!

Veiller à ce que l'axe de la manivelle du moto-réducteur s'engage dans son logement.

HYGIENE DES MIXERS ET DES CIRCUITS ALIMENTAIRES

Au moment de l'installation, et puis toutes les semaines, ou bien plus fréquemment par rapport à la fréquence d'emploi de l'appareil ainsi qu'à la qualité de l'eau en entrée, les mixers et les conduits de distribution des boissons solubles doivent être faits objet d'une désinfection soignée, garantissant ainsi une parfaite hygiène des produits distribués.

Les pièces à nettoyer sont les suivantes :

- tiroirs de poudres, mixers et conduit de distribution des boissons solubles ;
- becs de distribution ;
- cuvette support becs ;
- Enlever des mixers les convoyeurs, les entonnoirs des poudres et les entonnoirs de l'eau, les tiroirs des poudres et les rotors des mixers (voir fig. 25) ;
- pour démonter l'entonnoir eau, il est nécessaire de faire tourner le collier vert dans le sens antihoraire ;

veiller à bien le refermer lors du remontage ;

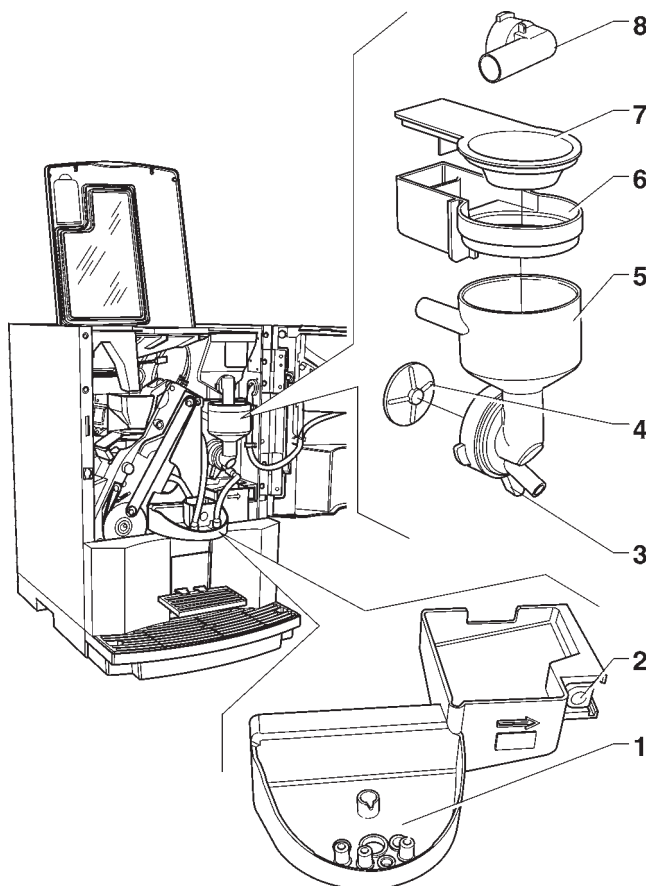


Fig. 25

- 1 - Becs de distribution
- 2 - Touche déclenchement support becs
- 3 - Collier fixation entonnoir
- 4 - Hélice mixer
- 5 - Entonnoir eau
- 6 - Tiroir dépôt poudres
- 7 - Entonnoir produit
- 8 - Pipette convoyage produit

- pour démonter les hélices, il suffit de bloquer avec un doigt (voir fig. 26) le disque monté sur l'arbre du mélangeur.

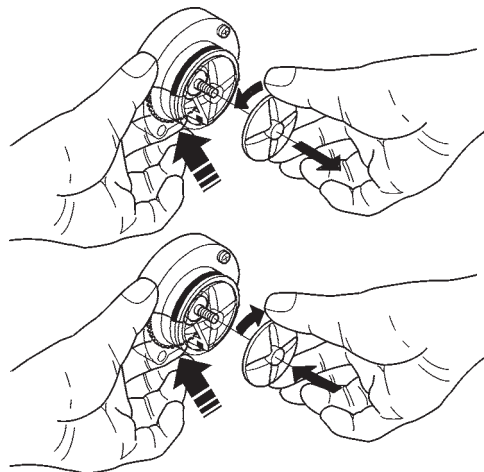


Fig. 26

Laver toutes les pièces avec un produit détergent, tout en ayant soin d'éliminer mécaniquement les résidus visibles de produit à l'aide, si besoin est, de brosses ou d'outils similaires.

La désinfection s'effectue avec des détergents au produit désinfectante

- Plonger les pièces déposées dans un récipient contenant la solution détergente produit désinfectante que l'on aura préparée auparavant, pendant 20' environ ;
- remettre les convoyeurs et les entonnoirs de l'eau ;
- remettre les tiroirs et les entonnoirs des poudres en place après les avoir soigneusement séchés.

Après remontage des pièces, il faudra quand même :

- ajouter quelques gouttes de détergent chloré dans le mixer ;
- rincer abondamment les éléments pour éliminer toute trace du détergent utilisé, en utilisant la fonction de lavage du mixer à porte fermée.

NETTOYAGE PÉRIODIQUE

Au moins toutes les années, ou plus fréquemment par rapport à l'utilisation de l'appareil et à la qualité de l'eau à l'entrée, il faudra nettoyer et désinfecter complètement le circuit alimentaire de la manière suivante.

ASSAINISSEMENT

- tous les composants en contact avec les aliments, y compris les tubes, doivent être déposés de l'appareil et puis désassemblés en pièces ;
- tous les résidus et pellicules visibles doivent être éliminés mécaniquement à l'aide, si besoin, de goupillons et brosses ;
- les pièces doivent être plongées dans une solution désinfectante pendant au moins 20 minutes ;
- les surfaces internes de l'appareil doivent être nettoyées également avec la même solution désinfectante ;
- Rincer abondamment et remonter les pièces.

Avant de remettre l'appareil en route, il faudra de toute façon répéter le déroulement de désinfection avec composants machine assemblés, ainsi qu'il est décrit dans le chapitre "Hygiène des circuits alimentaires".

NETTOYAGE RECIPIENTS A PRODUITS

- Enlever les récipients de l'appareil ;
- Démontez les becs de sortie des produits et retirez les vis sans fin du côté arrière du récipient ;
- Nettoyer toutes les pièces à l'eau chaude contenant un produit désinfectant et les essuyer soigneusement.

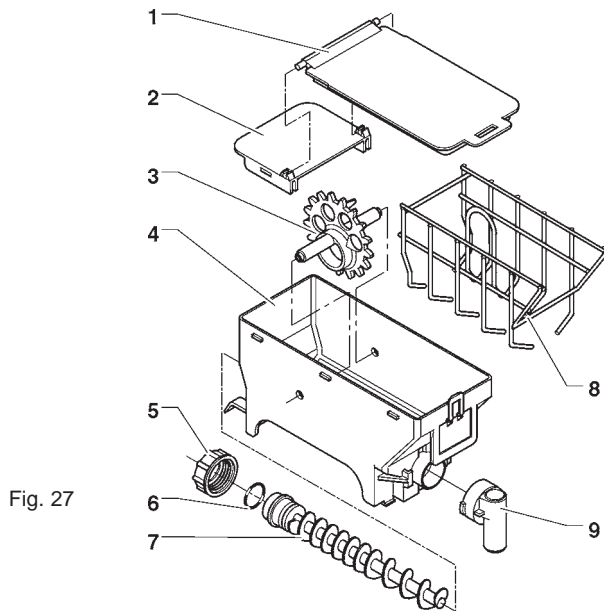


Fig. 27

- 1 - Couvercle
- 2 - Accrochage couvercle
- 3 - Roue
- 4 - Corps récipient
- 5 - Bague fixation vis sans fin
- 6 - Joint
- 7 - Vis sans fin
- 8 - Racleur
- 9 - Orifice poudres

FONCTIONS DES CARTES ET DES VOYANTS LUMINEUX

CARTE EXECUTIONS

Cette carte, placée dans la partie arrière de l'appareil, (voir fig. 28) traite les informations envoyées par la platine des poussoirs et le système de paiement, et gère les actionnements, les signaux d'entrée, et la carte chaudière. La tension à 15 Vca nécessaire au fonctionnement de la platine est fournie par le transformateur qui est protégé par un fusible de 160 mA T sur le primaire et de 1,25 A T sur le secondaire; la tension est redressée et stabilisée directement par la carte.

L'EPROM est installée sur cette carte. Le logiciel de gestion de la carte est directement chargé (à travers RS232) sur le microprocesseur.

- LED rouge (7) : indique l'état de fonctionnement de la résistance de la chaudière ;
- LED rouge (9) de reset UCT s'allume durant le reset de la carte
- LED vert (11) clignotant indique que le microprocesseur fonctionne correctement ;
- LED jaune (12) s'allume en présence de 12 Vcc.

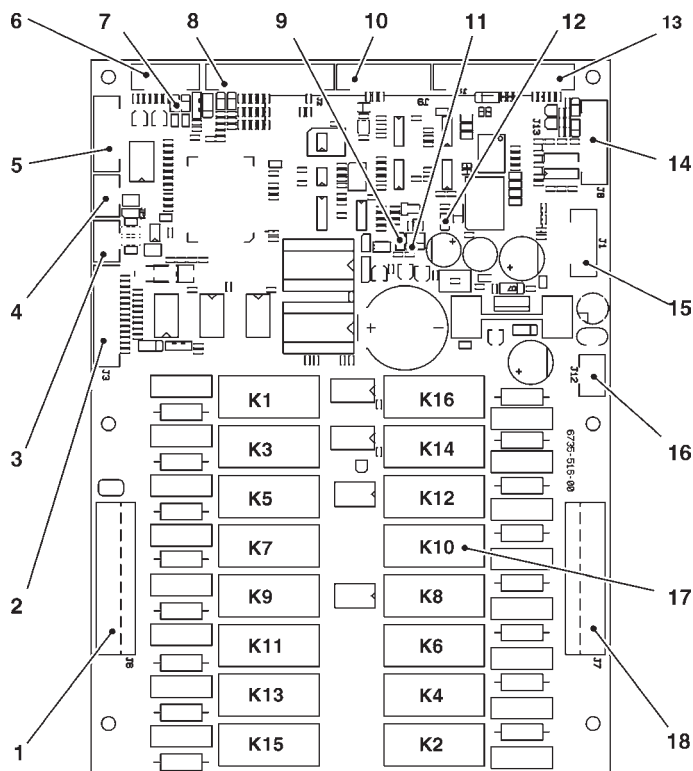


Fig. 29

- 1 - Utilisateurs 120 V~
- 2 - Signaux d'entrée
- 3 - Liaison can bus
- 4 - Liaison can bus
- 5 - Liaison expansion relais
- 6 - Sondes et gestion carte contrôle chaudière
- 7 - LED rouge résistance chaudière
- 8 - Signaux d'entrée
- 9 - LED rouge
- 10 - Non utilisé
- 11 - LED vert
- 12 - LED jaune
- 13 - Vers la carte touches
- 14 - Connecteur de programmation carte (RS232)
- 15 - Connecteur pour UpKey
- 16 - Alimentation carte (15Vac)
- 17 - Relais K1÷K16
- 18 - Utilisateurs 120 V~

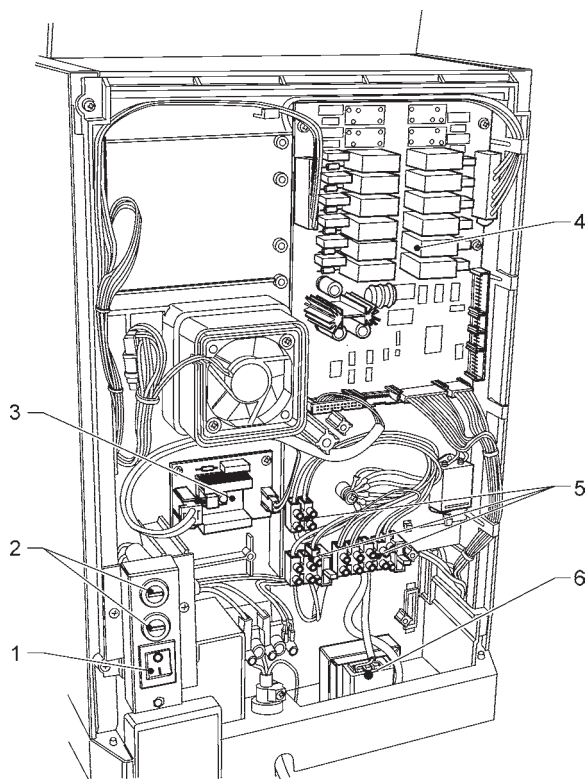


Fig. 28

- 1 - Interrupteur général
- 2 - Fusibles de réseau
- 3 - Carte contrôle chaudière
- 4 - Carte exécutions/UCT
- 6 - Fusibles protection transformateur
- 7 - Transformateur

RELAIS	ESPRESSO
K1	PM
K2	Non utilisé
K3	MF1
K4	Non utilisé
K5	ER
K6	Non utilisé
K7	M
K8	ESP1
K9	EV1
K10	MD1
K11	EV2
K12	Non utilisé
K13	Non utilisé
K14	EEA
K15	Non utilisé
K16	MAC

CARTE TOUCHES-POUSSOIRS

Cette carte commande le display alphanumérique, les touches de sélection et le touche de programmation (voir fig. 30).

Elle supporte les connecteurs des monnayeurs et la porte d'imprimante.

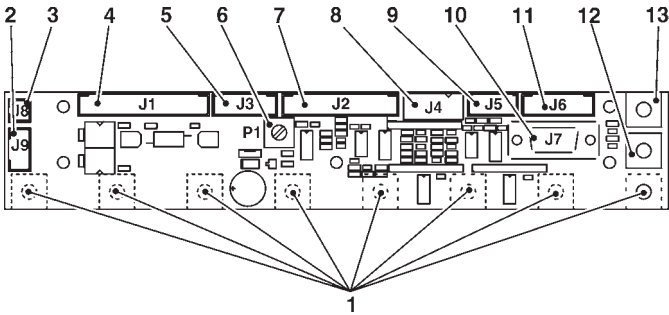


Fig. 30

- 1 - Touches de sélection
- 2 - Non utilisé
- 3 - Vers le compteur de coups mécanique (en option)
- 4 - Vers la carte exécutions/UCT
- 5 - Input
- 6 - Trimmer réglage afficheur
- 7 - Vers l'afficheur
- 8 - Validateurs 12 Vdc
- 9 - Non utilisé
- 10 - Prise sérielle RS232
- 11 - Non utilisé
- 12 - Touche entrée programmation
- 13 - Touche lavage

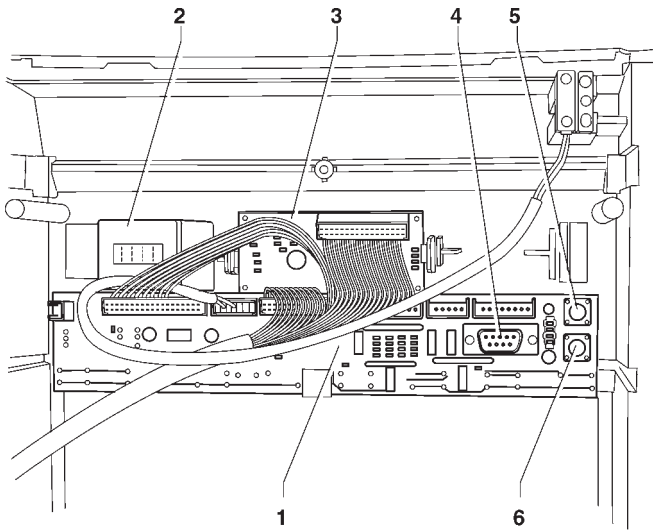


Fig. 31

- 1 - Carte touches
- 2 - Support compteur de coups mécanique
- 3 - Carte afficheur
- 4 - Prise sérielle RS232
- 5 - Touche lavage
- 6 - Touche entrée programmation

CARTE DE COMMANDE CHAUDIERE

Cette carte (voir fig. 32) contrôle l'activation de la résistance de la chaudière.

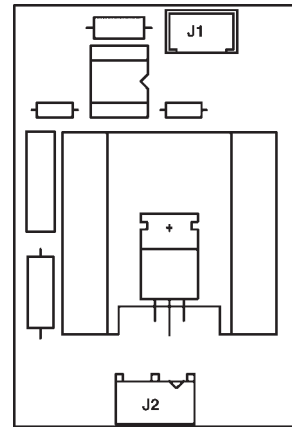


Fig. 32

CARTE EXPANSION SYSTEMES DE PAIEMENT

Cette carte (voir fig. 33) est fournie avec le kit de montage des systèmes de paiement "change giver" ou "cashless". Elle doit être connectée à la carte de contrôle au moyen du connecteur prévu à cet effet.

En fonction du protocole de communication employé par le système de paiement, les deux minidips devront être placés sur OFF (Executive) ou sur ON (MDB).

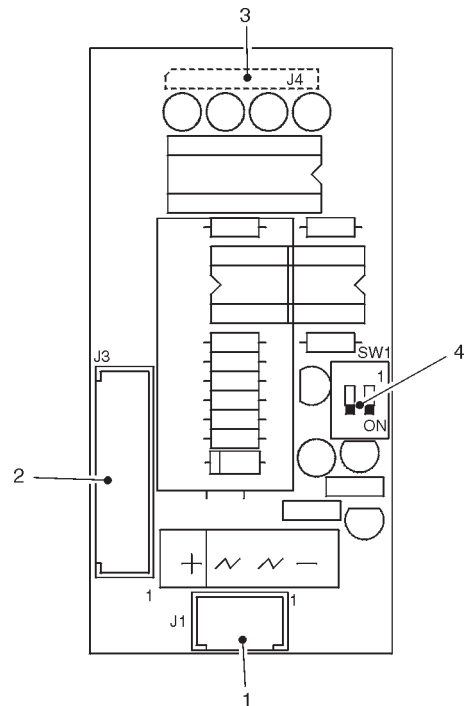
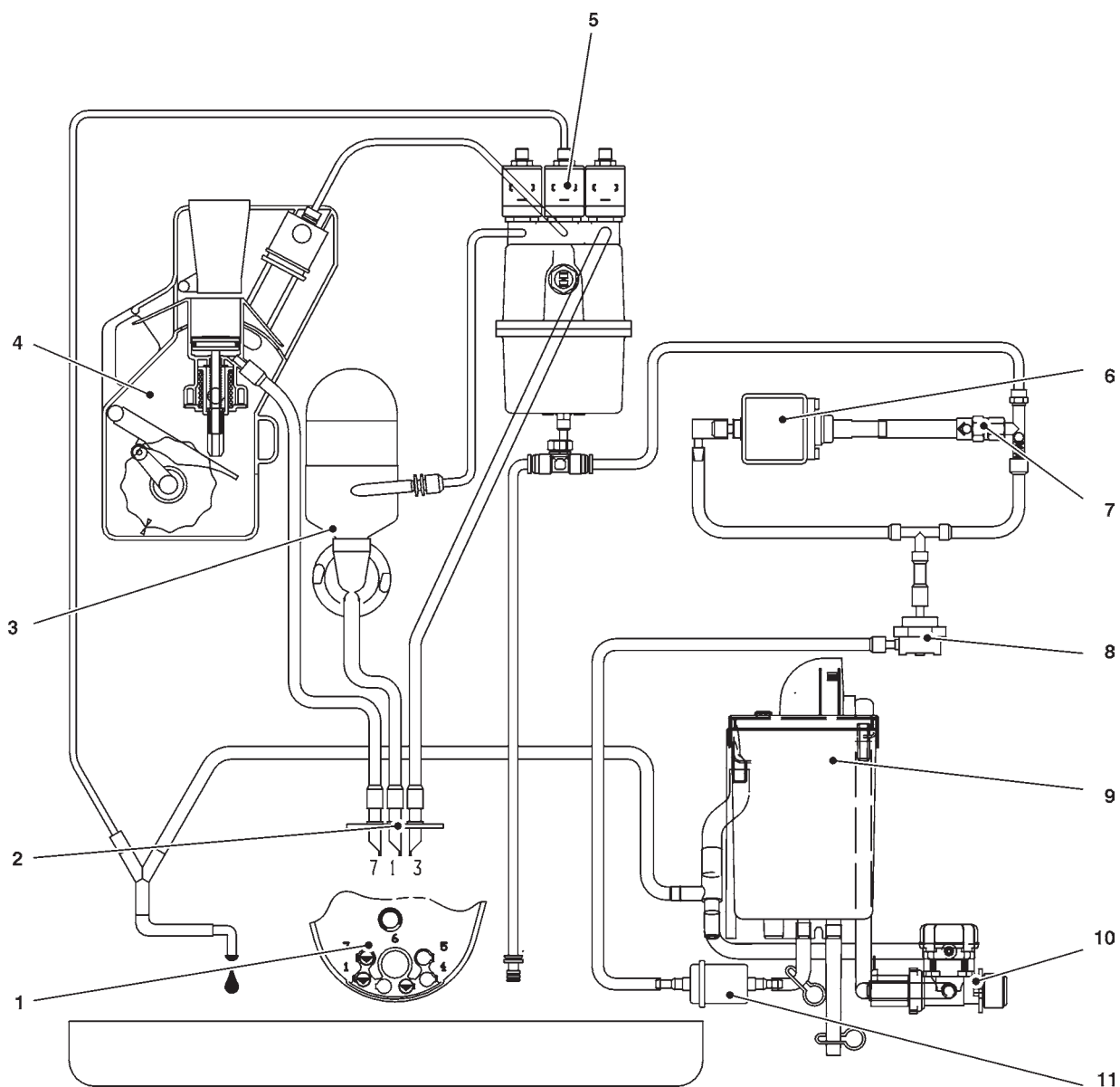


Fig. 33

- 1 - Alimentation (MDB BDV)
- 2 - Vers le système de paiement (avec câblage approprié)
- 3 - Vers la carte contrôle
- 4 - Minidip configuration système de paiement
OFF = Executive/BDV
ON = MDB

CIRCUIT HYDRAULIQUE ESPRESSO



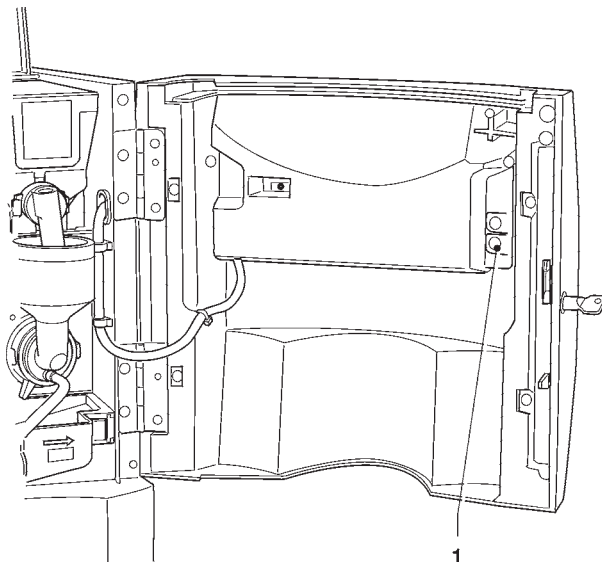
- 1 - Support becs de distribution
- 2 - Becs de distribution
- 3 - Mixer solubles
- 4 - Groupe d'infusion
- 5 - Électrovannes distribution
- 6 - Pompe café
- 7 - By-pass
- 8 - Compteur volumétrique
- 9 - Air-break
- 10 - Electrovanne d'entrée d'eau
- 11 - Filtre mécanique

Resume menu de programmation

Les distributeurs peuvent travailler dans 3 différents états de fonctionnement :

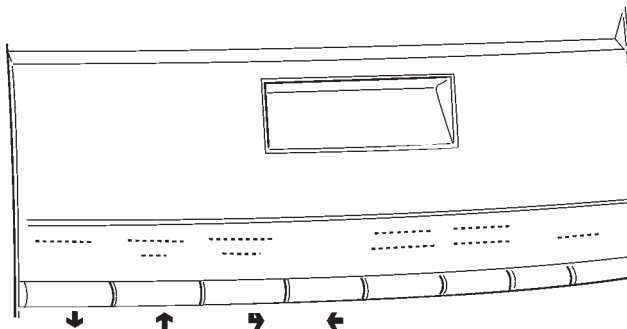
- Service normal ;
- Menu du Chargeur ;
- Menu du Technicien.

Pour pouvoir entrer dans les menus de programmation, il est nécessaire d'appuyer sur la touche de programmation située sur la carte touches-poussoirs :



Dès lors, l'appareil se place dans la modalité Menu du Chargeur.

Pour se déplacer à l'intérieur du menu, utiliser les touches montrées en figure :



Touches de défilement UP (↑) and DOWN (↓)

Les touches de défilement UP and DOWN permettent de se déplacer d'une entrée à l'autre des menus de programmation qui se trouvent au même niveau et de modifier l'état d'habilitation ou la valeur numérique des fonctions.

Touche de validation / envoi (↵)

La touche de validation/envoi permet de passer au niveau précédent ou bien de valider une donnée que l'on vient de saisir ou de modifier.

Touche de sortie (↶)

La touche de sortie permet de revenir au niveau supérieur ou de sortir d'un champ de modification d'une fonction. Lorsqu'on a atteint le niveau le plus haut du Menu, une nouvelle pression sur cette touche permet de passer du Menu du Technicien au Menu du Chargeur et vice-versa.

Resume menu "Chargeur"

1 - STATISTIQUES

1.1 - IMPRESS. STATIS.

1.1.1 - IMPRES.PARTIELLE

- 1.1.1.1 - IMPRES.COMP.SEL.
- 1.1.1.2 - IMPR.COMP.PLAGES
- 1.1.1.3 - IMPRES.COMP.ESC.
- 1.1.1.4 - IMPRES.COMP.PAN.
- 1.1.1.5 - IMPRES.DONN.MON.

1.1.2 - IMPRESS. TOTALE

1.2 - IMPR.STAT.RELAT.

1.2.1 - IMPRES.PARTIELLE

- 1.2.1.1 - IMPRES.COMP.SEL.
- 1.2.1.2 - IMPR.COMP.PLAGES
- 1.2.1.3 - IMPRES.COMP.ESC.
- 1.2.1.4 - IMPRES.COMP.PAN.
- 1.2.1.5 - IMPRES.DONN.MON.

1.2.2 - IMPRESS. TOTALE

1.3 - AFFICHAGE STAT.

1.3.1 - AFF. COMPT. SEL.

- 1.3.1.1 - AFF. COMPT. SIN.
- 1.3.1.2 - AFF. COMPT. TOT.
- 1.3.1.3 - AFF.COMP.S.N-M-D

1.3.2 - AFF.COMPT.PLAGES

1.3.3 - AFF.COMPT. ESCOM

1.3.4 - AFF.COMPT. PANN.

1.3.5 - AFF.COMPT. MONN.

- 1.3.5.1 - AFF.DONN. AUDIT
- 1.3.5.2 - AFF.COMP.ENCAIS.



FONCTION PRÉCÉDENTE/
DIMINUTION DONNÉE (-1)



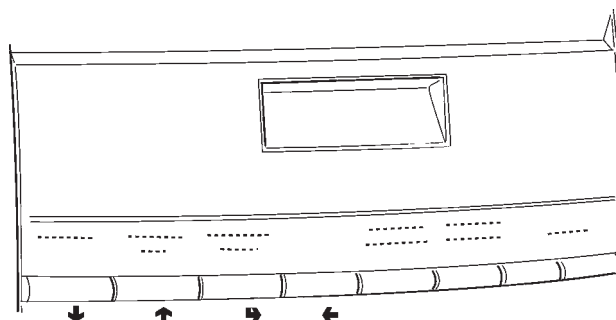
FONCTION SUIVANTE/
AUGMENTATION DONNÉE (+1)



CONFIRMATION DONNÉE /
CONFIRMATION FONCTION



ANNULATION DONNÉE /
SORTIE DE FONCTION



Resume menu "Chargeur"

1.4 - AFF.STAT. RELAT.

- 1.4.1 - AFF. COMPT. SEL.
 - 1.4.1.1 - AFF. COMPT. SIN.
 - 1.4.1.2 - AFF. COMPT. TOT.
 - 1.4.1.3 - AFF.COMP.S.N-M-D
- 1.4.2 - AFF.COMPT.PLAGES
- 1.4.3 - AFF.COMPT. ESCOM
- 1.4.4 - AFF.COMPT. PANN.
- 1.4.5 - AFF.COMPT. MONN.
 - 1.4.5.1 - AFF.DONN. AUDIT
 - 1.4.5.2 - AFF.COMP.ENCAIS.

1.5 - EFFAC.STA.RELAT.

- 1.5.1 - ANNUL. PARTIELLE
 - 1.5.1.1 - ANNUL.COMPT.SEL.
 - 1.5.1.2 - ANNUL.COMP.ESCO.
 - 1.5.1.3 - ANN.COMPT.PANNES
 - 1.5.1.4 - ANNUL.DONN.MONN.
- 1.5.2 - ANNULLAT. TOTALE

2 - SET PRIX INDIV.

2.1 - PRIX PLAGE 0

2.2 - PRIX PLAGE 1

2.3 - PRIX PLAGE 2

2.4 - PRIX PLAGE 3

2.5 - PRIX PLAGE 4

3 - AMENAGEM. TUBES

3.1 - CHARGEMENT TUBE

3.2 - VIDANGE TUBES



FONCTION PRÉCÉDENTE/
DIMINUTION DONNÉE (-1)



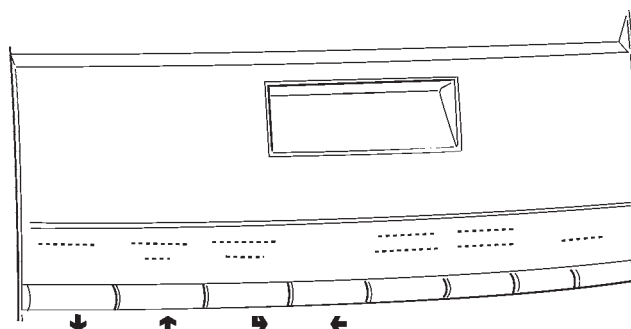
FONCTION SUIVANTE/
AUGMENTATION DONNÉE (+1)



CONFIRMATION DONNÉE /
CONFIRMATION FONCTION



ANNULATION DONNÉE /
SORTIE DE FONCTION



Resume menu "Chargeur"

4 - TEMP. CHAUDIERE

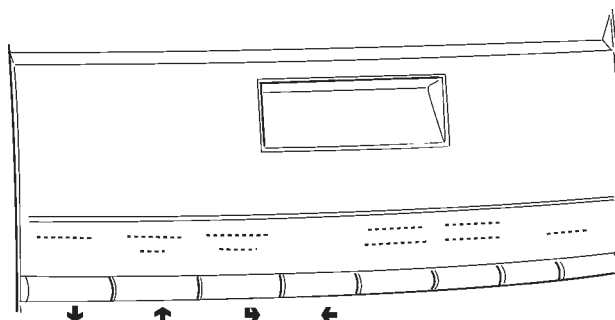
5 - TEST

5.1 - DISTRIB. COMPLE.

5.2 - DISTR. EAU SEULE

5.3 - DIS.POUDRE SEULE

- | | | | |
|---|--|---|--|
| ↓ | FONCTION PRÉCÉDENTE/
DIMINUTION DONNÉE (-1) | ↑ | FONCTION SUIVANTE/
AUGMENTATION DONNÉE (+1) |
| ➡ | CONFIRMATION DONNÉE /
CONFIRMATION FONCTION | ← | ANNULATION DONNÉE /
SORTIE DE FONCTION |



Resume menu "Technicien"

1 - PANNES

1.1 - LECTURE PANNES

1.2 - RESET PANNES

2 - SET PARAMETRES

2.1 - CASH

2.1.1 - PRIX

2.1.1.1 - SET PRIX INDIV.

2.1.1.1.1 - PRIX PLAGES 0

2.1.1.1.2 - PRIX PLAGES 1

2.1.1.1.3 - PRIX PLAGES 2

2.1.1.1.4 - PRIX PLAGES 3

2.1.1.1.5 - PRIX PLAGES 4

2.1.1.2 - SET PRIX GLOBAUX

2.1.1.2.1 - PRIX PLAGES 0

2.1.1.2.2 - PRIX PLAGES 1

2.1.1.2.3 - PRIX PLAGES 2

2.1.1.2.4 - PRIX PLAGES 3

2.1.1.2.5 - PRIX PLAGES 4

2.1.1.3 - PLAGES HORAIRES

2.1.1.3.1 - SET DATE / HEURE

2.1.1.3.2 - PLAGES HORAIRE 1

2.1.1.3.3 - PLAGES HORAIRE 2

2.1.1.3.4 - PLAGES HORAIRE 3

2.1.1.3.5 - PLAGES HORAIRE 4

2.1.2 - MONNAYEURS

2.1.2.1 - REGLAGE MONNAYE.

2.1.2.2 - MONNAIE IMMEDIAT

2.1.3 - POINT DECIMAL



FONCTION PRÉCÉDENTE/
DIMINUTION DONNÉE (-1)



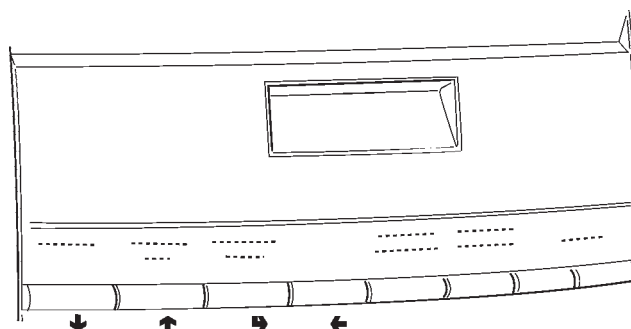
FONCTION SUIVANTE/
AUGMENTATION DONNÉE (+1)



CONFIRMATION DONNÉE /
CONFIRMATION FONCTION



ANNULATION DONNÉE /
SORTIE DE FONCTION



Resume menu "Technicien"

2.2 - SELECTIONS

2.2.1 - SET EAUX

2.2.1.1 - DOSES EAUX

2.2.1.2 - SET MIXER

2.2.1.2.1 - SET DOSE MIXER

2.2.1.2.2 - SET MODAL. MIXER

2.2.1.3 - REGLAGE ELE.VAN.

2.2.2 - SET POUDRES

2.2.2.1 - DOSES POUDRES

2.2.2.2 - REGLAGE DOSEURS

2.2.3 - ETAT DE SELECT.

2.2.4 - BOUT.<—> SELEC.

2.2.5 - VERIF. NB SELEC.

2.3 - D.A. PARAMETRES

2.3.1 - TEMP. CHAUDIERE

2.3.2 - BIDON

2.3.3 - ACTIV. B. LAVAGE

2.3.4 - TUYAUX.....?

2.3.5 - BUZZER

2.3.6 - REGL. DIST. MAN.

2.3.7 - ACT. LAVAGE AUTO

2.3.8 - ENERGY SAVING

2.3.8.1 - SET ENERGY SAV.

2.3.8.2 - PAR. ENERGY SAV.

2.3.9 - DEC. CYCLE

2.3.a - MEUB. EQUIPE

2.3.b - NUM. MAX CONTAT.

2.3.c - ABIL.VUOTO CAFFE

2.3.d - INFUSION TIME D.

2.4 - DISPLAY

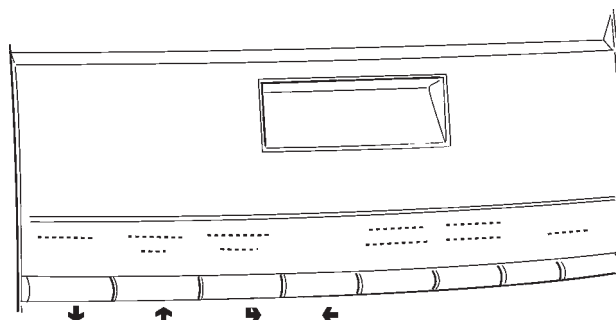
2.4.1 - LANGUE

2.4.2 - MESSAGE PROMOT.

2.4.2.1 - HABIL.MES.PROMO.

2.4.2.2 - SET MESS.PROMOT.

↓	FONCTION PRÉCÉDENTE/ DIMINUTION DONNÉE (-1)	↑	FONCTION SUIVANTE/ AUGMENTATION DONNÉE (+1)
↵	CONFIRMATION DONNÉE / CONFIRMATION FONCTION	←	ANNULATION DONNÉE / SORTIE DE FONCTION



Resume menu "Technicien"

2.5 - PRESELECTIONS

2.5.1 - EAU +

2.5.1.1 - ACTIVATION SEL.

2.5.1.2 - DOSE FILLING

2.5.1.3 - PRIX FILLING

2.5.2 - EAU -

2.5.2.1 - ACTIVATION SEL.

2.5.2.2 - DOSE FILLING

2.5.2.3 - PRIX FILLING

2.5.3 - FORT

2.5.3.1 - ACTIVATION SEL.

2.5.3.2 - DOSE FILLING

2.5.3.3 - PRIX FILLING

2.5.4 - LEGER

2.5.4.1 - ACTIVATION SEL.

2.5.4.2 - DOSE FILLING

2.5.4.3 - PRIX FILLING

2.5.5 - POUDRE CAFE'

2.5.5.1 - ACTIVATION SEL.

2.5.5.2 - DOSE FILLING

2.5.5.3 - PRIX FILLING

2.5.6 - EXTRA LAIT

2.5.6.1 - ACTIVATION SEL.

2.5.6.2 - DOSE FILLING

2.5.6.3 - PRIX FILLING

2.5.7 - MOKKA

2.5.7.1 - ACTIVATION SEL.

2.5.7.2 - DOSE FILLING

2.5.7.3 - PRIX FILLING

2.5.8 - CUP SIZE

2.5.8.1 - ACTIVATION SEL.

2.5.8.2 - DOSE FILLING

2.5.8.3 - PRIX FILLING



FONCTION PRÉCÉDENTE/
DIMINUTION DONNÉE (-1)



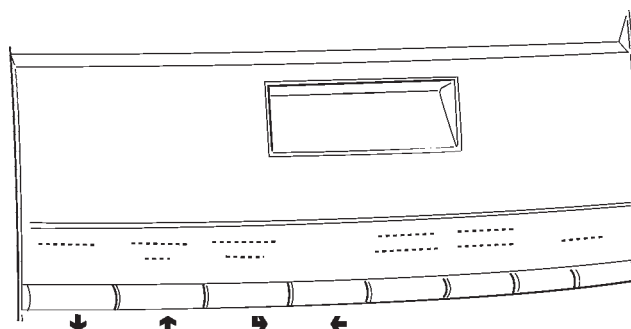
FONCTION SUIVANTE/
AUGMENTATION DONNÉE (+1)



CONFIRMATION DONNÉE /
CONFIRMATION FONCTION



ANNULATION DONNÉE /
SORTIE DE FONCTION



Resume menu "Technicien"

2.6 - DIVERS

2.6.1 - DONNESS GR. FB

2.6.2 - JUG FACILITIES

2.6.3 - PASSWORD

2.6.3.1 - SET PASSWORD

2.6.3.2 - HABIL. PASSWORD

2.6.3.3 - PWD AZZ. CONTAT.

2.6.3.4 - PWD JUG FACILITY

2.6.3.5 - PWD FREE VENDING

2.6.3.6 - PWD BLOCCO TAST.

2.6.3.7 - PWD LAVAGGI

2.6.3.8 - PWD SEL. PROVA

2.6.4 - ACTIV. MENU MANU

3 - STATISTIQUES

3.1 - COMPT. ELECTRON.

3.1.1 - AFFICHAGE COMPT.

3.1.2 - RES.COMPT. ALLUM

3.2 - AFFICHAGE STAT.

3.2.1 - AFF. COMPT. SEL.

3.2.1.1 - AFF. COMPT. SIN.

3.2.1.2 - AFF. COMPT. TOT.

3.2.1.3 - AFF.COMP.S.N-M-D

3.2.2 - AFF.COMPT.PLAGES

3.2.3 - AFF.COMPT. ESCOM

3.2.4 - AFF.COMPT. PANN.

3.2.5 - AFF.COMPT. MONN.

3.2.5.1 - AFF.DONN. AUDIT

3.2.5.2 - AFF.COMP.ENCAIS.



FONCTION PRÉCÉDENTE/
DIMINUTION DONNÉE (-1)



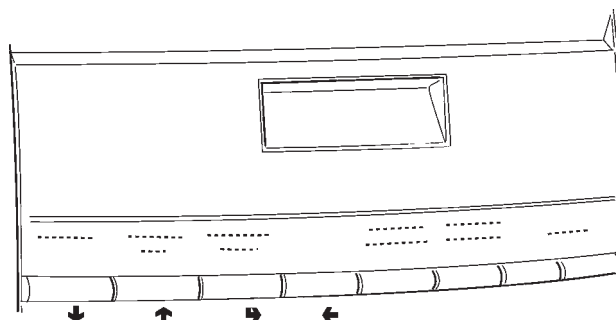
FONCTION SUIVANTE/
AUGMENTATION DONNÉE (+1)



CONFIRMATION DONNÉE /
CONFIRMATION FONCTION



ANNULATION DONNÉE /
SORTIE DE FONCTION



Resume menu "Technicien"

3.3 - ANNULATION STAT.

- 3.3.1 - ANNUL. PARTIELLE
 - 3.3.1.1 - ANNUL.COMPT.SEL.
 - 3.3.1.2 - ANNUL.COMP.ESCO.
 - 3.3.1.3 - ANN.COMPT.PANNES
 - 3.3.1.4 - ANNUL.DONN.MONN.
- 3.3.2 - ANNULLAT. TOTALE

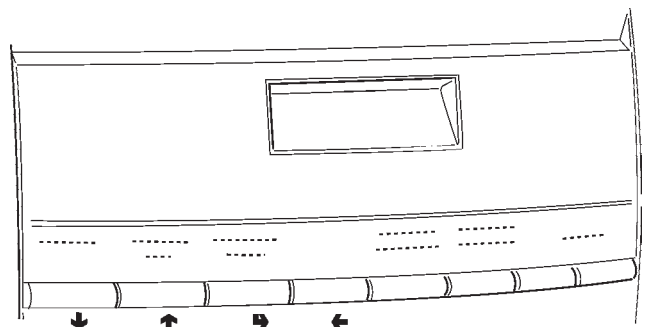
3.4 - AFF.STAT. RELAT.

- 3.4.1 - AFF. COMPT. SEL.
 - 3.4.1.1 - AFF. COMPT. SIN.
 - 3.4.1.2 - AFF. COMPT. TOT.
 - 3.4.1.3 - AFF.COMP.S.N-M-D
- 3.4.2 - AFF.COMPT.PLAGES
- 3.4.3 - AFF.COMPT. ESCOM
- 3.4.4 - AFF.COMPT. PANN.
- 3.4.5 - AFF.COMPT. MONN.
 - 3.4.5.1 - AFF.DONN. AUDIT
 - 3.4.5.2 - AFF.COMP.ENCAIS.

3.5 - EFFAC.STA.RELAT.

- 3.5.1 - ANNUL. PARTIELLE
 - 3.5.1.1 - ANNUL.COMPT.SEL.
 - 3.5.1.2 - ANNUL.COMP.ESCO.
 - 3.5.1.3 - ANN.COMPT.PANNES
 - 3.5.1.4 - ANNUL.DONN.MONN.
- 3.5.2 - ANNULLAT. TOTALE

- | | | | |
|---|--|---|--|
| ↓ | FONCTION PRÉCÉDENTE/
DIMINUTION DONNÉE (-1) | ↑ | FONCTION SUIVANTE/
AUGMENTATION DONNÉE (+1) |
| ➡ | CONFIRMATION DONNÉE /
CONFIRMATION FONCTION | ← | ANNULATION DONNÉE /
SORTIE DE FONCTION |



Resume menu "Technicien"

3.6 - HABIL.COMPT.ALL.

3.7 - IMPRESS. STATIS.

3.7.1 - IMPRES.PARTIELLE

- 3.7.1.1 - IMPRES.COMP.SEL.
- 3.7.1.2 - IMPR.COMP.PLAGES
- 3.7.1.3 - IMPRES.COMP.ESC.
- 3.7.1.4 - IMPRES.COMP.PAN.
- 3.7.1.5 - IMPRES.DONN.MON.

3.7.2 - IMPRESS. TOTALE

3.8 - IMPR.STAT.RELAT.

3.8.1 - IMPRES.PARTIELLE

- 3.8.1.1 - IMPRES.COMP.SEL.
- 3.8.1.2 - IMPR.COMP.PLAGES
- 3.8.1.3 - IMPRES.COMP.ESC.
- 3.8.1.4 - IMPRES.COMP.PAN.
- 3.8.1.5 - IMPRES.DONN.MON.

3.8.2 - IMPRESS. TOTALE

4 - TEST

4.1 - TEST DISTRIBUT.

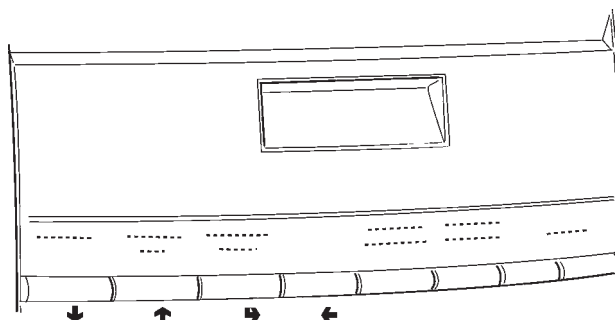
- 4.1.1 - DISTRIB. COMPLE.
- 4.1.2 - DISTR. EAU SEULE
- 4.1.3 - DIS.POUDRE SEULE

4.2 - FONCTION SPECIAL

- 4.2.1 - ROTATION GROUPE
- 4.2.2 - DECLENCH. DOSE
- 4.2.3 - VIDANGE CHAUDIE.
- 4.2.4 - INSTALL. MANUEL
- 4.2.5 - GROUPE FR. BREW

4.3 - AUTOTEST

- | | | | |
|---|--|---|--|
| ↓ | FONCTION PRÉCÉDENTE/
DIMINUTION DONNÉE (-1) | ↑ | FONCTION SUIVANTE/
AUGMENTATION DONNÉE (+1) |
| ↵ | CONFIRMATION DONNÉE /
CONFIRMATION FONCTION | ← | ANNULATION DONNÉE /
SORTIE DE FONCTION |



Resume menu "Technicien"

5 - DIVERS

5.1 - GESTION D.A.

5.1.1 - DATE INSTALLAT.

5.1.2 - PROGR. CODE D.A.

5.1.3 - INTRO.CODE EXPL.

5.2 - INITIALISAT. DB

5.3 - EVADTS

5.3.1 - CONNEXION

5.4 - UPKEY

5.4.1 - GESTION SETUP

5.4.1.1 - UPKEY -> DISTR.

5.4.1.2 - DISTR. -> UPKEY

5.4.1.3 - EFFACER

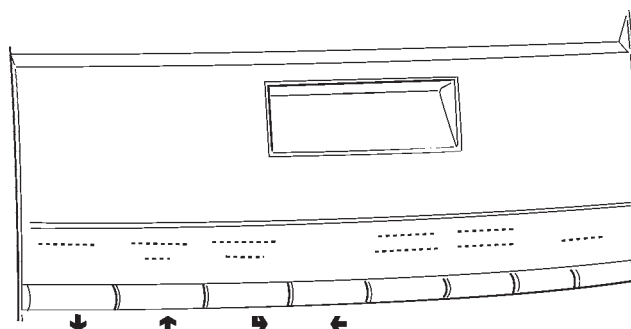
5.4.1.4 - EFFACER TOUT

5.4.2 - GESTION STAT.

5.4.2.1 - DISTR. -> UPKEY

5.4.2.2 - EFFACER

5.4.2.3 - EFFACER TOUT

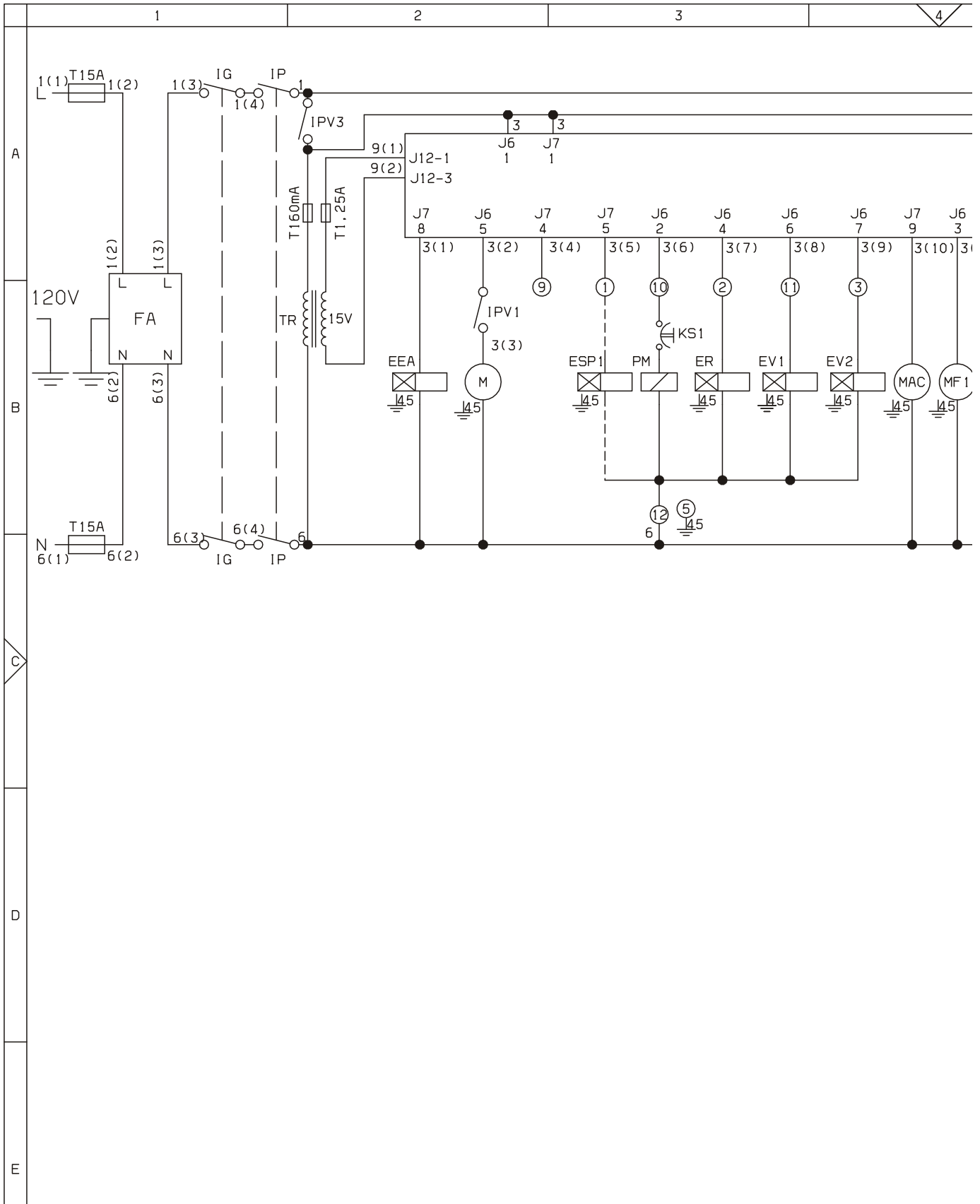


WIRING DIAGRAM LEGEND

INITIALS	DESCRIPTION	INITIALS	DESCRIPTION
CCG	GENERAL COUNTER	M	COFFEE UNIT MOTOR
CM1	COFFEE UNIT MOTOR CAM	MAC	GRINDER
CV	VOLUMETRIC COUNTER	MD1-..	INGREDIENT MOTOR - INSTANT
EEA	WATER INLET SOLENOID VALVE	MDFB	INGREDIENT MOTOR - FRESH BREW
ER	COFFEE DISPENSER SOLENOID VALVE	MF1-..	WHIPPER MOTORS
ESP1-.	DRAINING SOLENOID VALVE	MFB	FRESH-BREW MOTOR
EV1-..	INSTANT SOLENOID VALVES	MPF	FRESH BREW PISTON MOTOR
EVDEV	FLOW DIVERTER SOLENOID VALVE	NTC	TEMPERATURE PROBE
EVFB	FRESH BREW SOLENOID VALVE	PM	PUMP
FA	RADIO INTERFERENCE SUPPRESSOR	RCC	COFFEE BOILER HEATING ELEMENT
ID	COFFEE DOSE SWITCH	RCS	INSTANT BOILER HEATING ELEMENT
IDEC	DECAFFEINATED DOOR SWITCH	RG	UNIT HEATING ELEMENT
IG	MAIN SWITCH	SM	CONTROL BOARD
IP	DOOR SWITCH	SM1	CONTROL BOARD
IPC	FULL CAPSULES CONTAINER SWITCH	SMFB	FRESH BREW CONTROL BOARD
IPF	WASTE CONTAINER OVERFLOW SWITCH	STRC	BOILER HEATING TRIAC BOARD
IPV1-.	DISPENSING COMPARTMENT SWITCH	TR	TRANSFORMER
IVA	EMPTY BOILER MICRO-SWITCH	TX....	DELAYED FUSE (X=COURRENT)
KC1-..	COFFEE BOILER CUTOUT	UPS	COLD UNIT PRINTED BOARD
KS1-..	SAFETY CUTOUT	VENT	FAN
LCD	LIQUID CRYSTAL DISPLAY		

LEGENDE SCHEMA ELECTRIQUE

SYMBOLES	DESCRIPTION	SYMBOLES	DESCRIPTION
CCG	COMPTEUR DE COUPS GENERAL	LCD	AFFICHAGE A CRISTAUX LIQUIDES
CM1	CAME MOTEUR GROUPE CAFE	M	MOTEUR GROUPE CAFE
CV	COMPTEUR VOLUMETRIQUE	MAC	MOULIN A CAFE
EEA	ELECTROVANNE ENTREE EAU	MD1-..	MOTEURS DOSEURS SOLUBLES
ER	ELECTROVANNE LIVRAISON CAFE	MDFB	MOTEUR DOSEUR FRESH BREW
ESP1-.	ELECTROVANNE DE PURGE	MF1-..	MIXERS SOLUBLES
EV1-..	ELECTROVANNES SOLUBLES	MFB	MOTEUR FRESH-BREW
EVDEV	ELECTROVANNE DÉVIATRICE DE FLUX	MPF	MOTEUR PISTON FRESH BREW
EVFB	ELECTROVANNE FRESH BREW	NTC	SONDE DE TEMPERATURE
FA	FILTRE ANTIPARASITES	PM	POMPE
ICM	INTERRUPTEUR CONTRÔLE MOTEUR	RCC	RESISTANCE CHAUDIERE CAFE
ID	INTERRUPTEUR DE DOSE CAFE	RCS	RESISTANCE CHAUDIERE SOLUBLES
IDEC	INTERRUPTEUR PORTILLON DÉCAFÉINÉ	RG	RESISTANCE DE CHAUFFAGE GROUPE
IG	INTERRUPTEUR GENERAL	SM	PLATINE CONTROLE MACHINE
IP	INTERRUPTEUR DE PORTE	SM1	PLATINE CONTROLE MACHINE
IPF	INTERRUPTEUR PLEIN BAC	SMFB	PLATINE CONTROLE MACHINE FRESH BREW
IPV1-.	INTERRUPTEUR PRÉSENCE COMPARTIMENT DISTRIBUTION	STRC	CARTE DE TRIAC DE CHAUFFAGE CHAUDIER
IVA	INTERRUPTEUR DE VIDE D'EAU	TR	TRANSFORMATEUR
KC1-..	KLIXON DE CHAUDIERE A CAFE	TX....	FUSIBLE RETARDE (X=COURANT)
KS1-..	KLIXON DE SECURITE	UPS	PLATINE DU GROUPE DE FROID
		VENT	VENTILATEUR

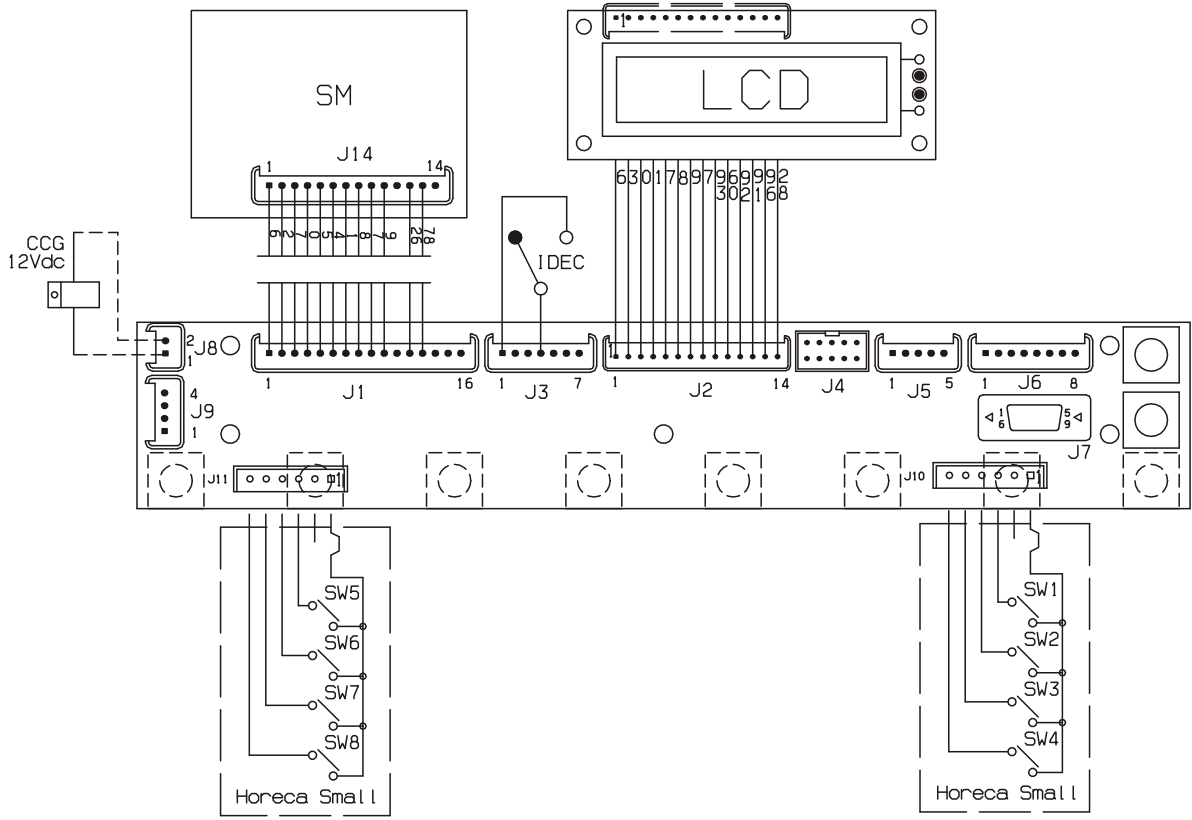
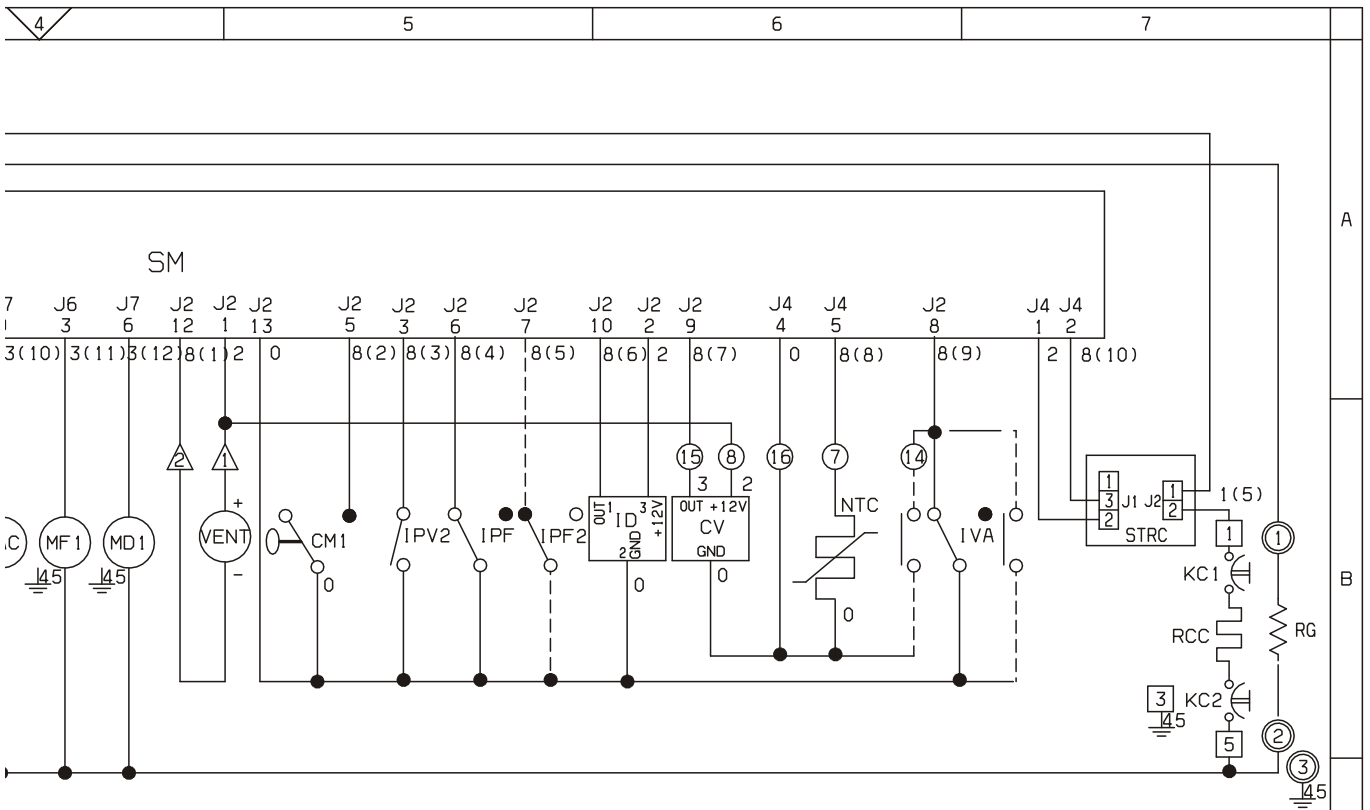


N&V GLOBAL VENDING S.P.A.
 SI RISERVA A TERMINI DI LEGGE
 LA PROPRIETA' DEL PRESENTE
 DISEGNO CON DIVIETO DI
 RIPRODURLO O DIVULGARLO SENZA
 SUA PREVIA AUTORIZZAZIONE

0 NERO
 1 MARRONE
 2 ROSSO
 3 ARANCIO
 4 GIALLO
 5 VERDE
 6 BLU
 7 AZZURRO
 8 VIOLA
 9 GRIGIO
 0 BIANCO
 1 BLACK
 2 BROWN
 3 RED
 4 ORANGE
 5 GREEN
 6 BLUE
 7 LIGHT BLUE
 8 PINK
 9 VIOLET
 0 GREY
 1 WHITE
 2 NOIR
 3 MARRON
 4 ROUGE
 5 ORANGE
 6 JAUNE
 7 VERT
 8 BLEU CIEL
 9 BLEU
 0 ROSE
 1 GRIS
 2 BLANC
 3 SCHWARZ
 4 BRAUN
 5 ROT
 6 ORANGE
 7 GELB
 8 GRÜN
 9 BLAU
 0 WEISS
 1 MARRON
 2 ROJO
 3 ANARANJA
 4 AMARILLO
 5 VERDE
 6 AZUL CLARO
 7 ROSA
 8 GRIS
 9 BLANCO

N&V





8 GRIS 9 BLANCO	N&W GLOBAL VENDING S.p.A. Valbrembo - Italia	MODELLO	GRUPPO	DATA	FOGLIO	DISEGNATO	CONTROLLATO
		Koro Espresso UL	SCHEMA ELETTRICO FUNZIONALE OCS e HORECA SMALL ESPRESSO	24-06-05	1/1	BONACINA	MONGUZZI
				LEGENDA	CODICE 608544100		



The Manufacturer reserves the right to modify, without prior notice, the characteristics of the equipment described in this publication; and further declines to accept any responsibility for any inaccuracies contained in this publication which can be ascribed to printing and/or transcription errors.

All instructions, drawings, tables and information contained in this publication are confidential and can neither be reproduced completely or in part, nor be transmitted to third parties without the written permit of the Manufacturer, who has the sole ownership.

EDITION 1 12 - 2005 CODE: H 264V 00

