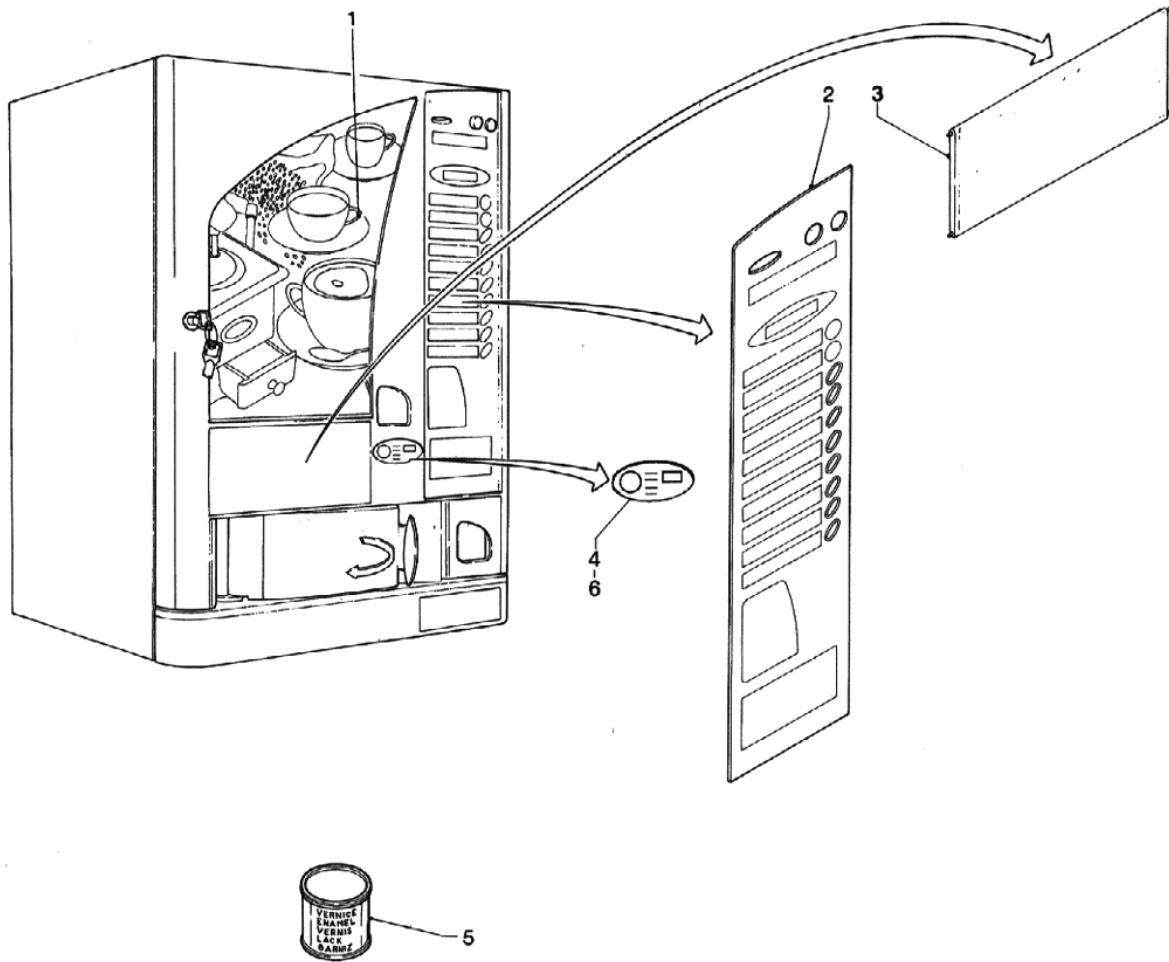
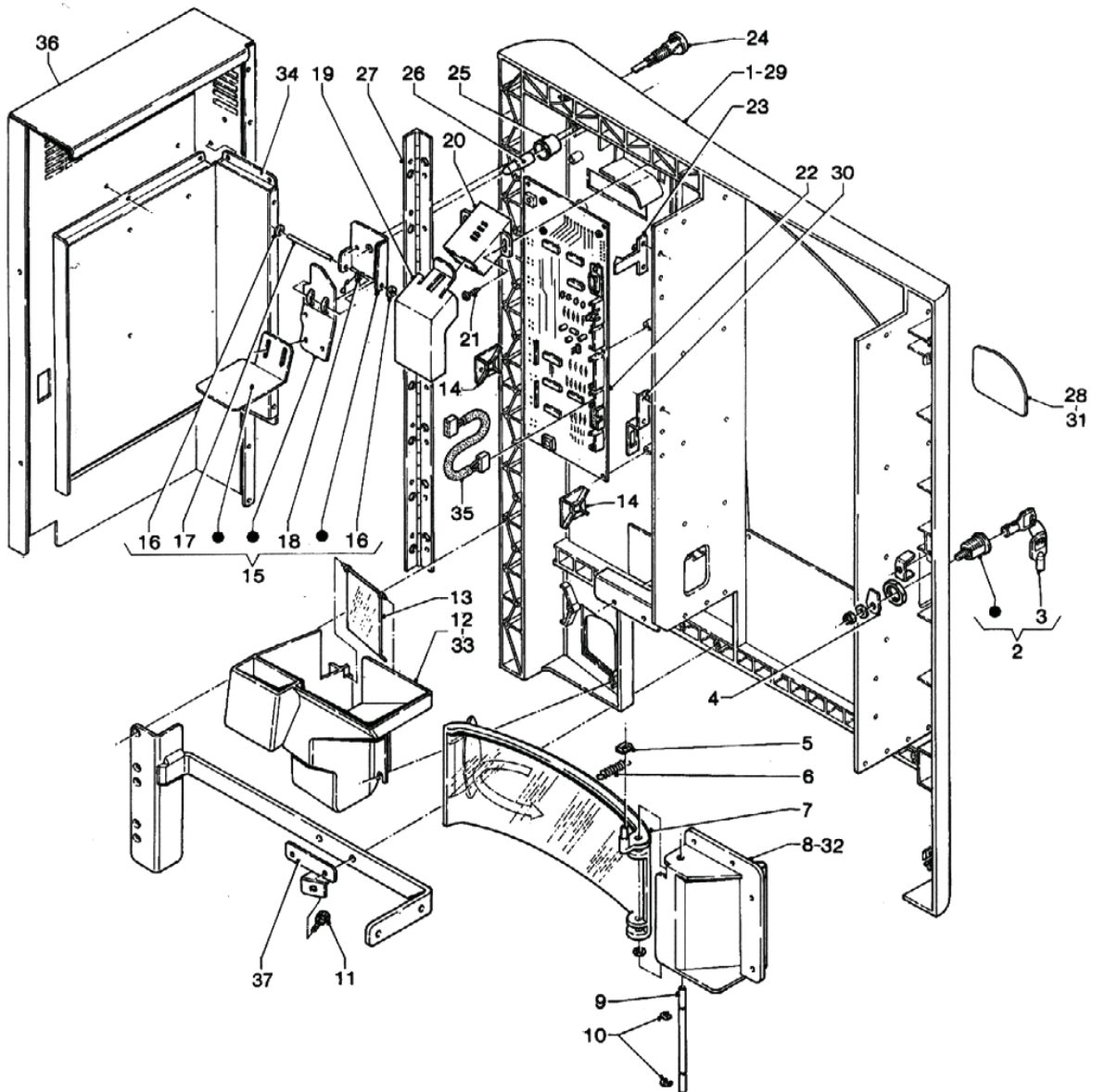


BRIO C - UL - ESPRESSO - 120 VOLT - 60 HZ

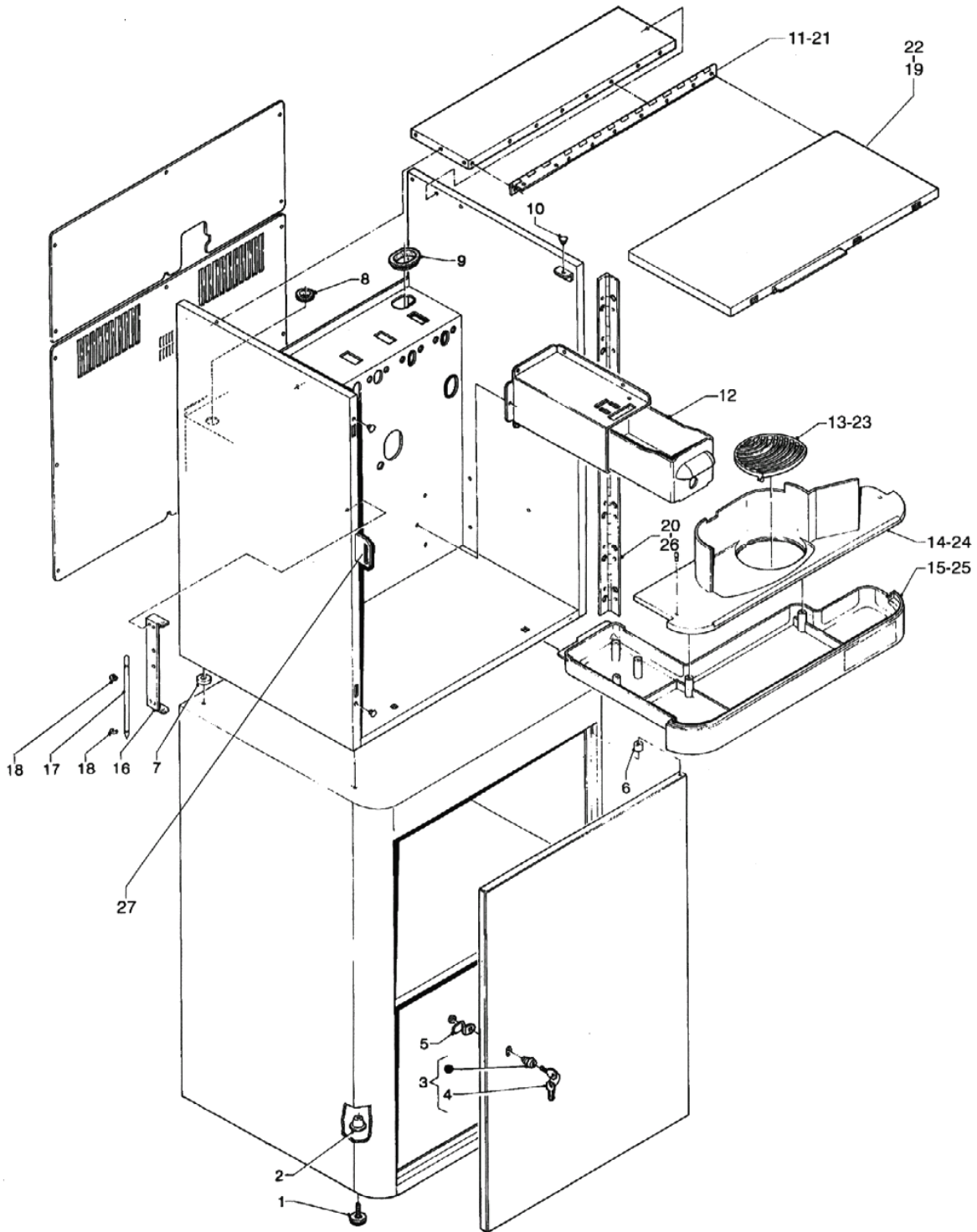




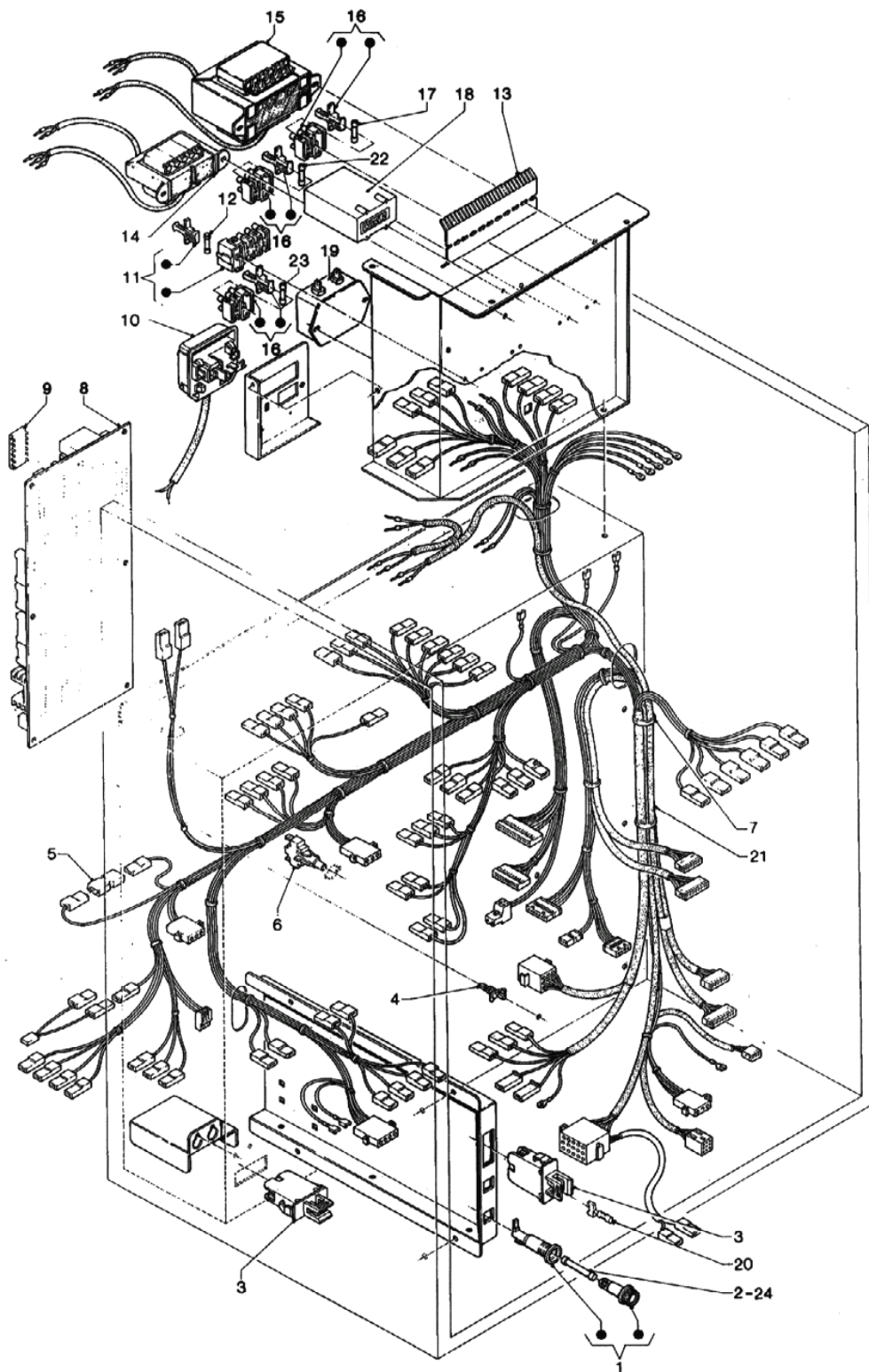
	Code	Description	Notes
1	0V1328	PHOTOGRAPHIC PANEL	
2	0V1327	SELECTIONS PANEL EXECUTIVE	
3	099343	LABELS PANEL	
4	0V1417	STIRRING BAR LABELS 'BLACK'	BLACK COLOUR VERSION
5	097595	ENAMEL GREY	
5	097596	ENAMEL DARK-GREY	
6	099560	STIRRING BAR LABELS	



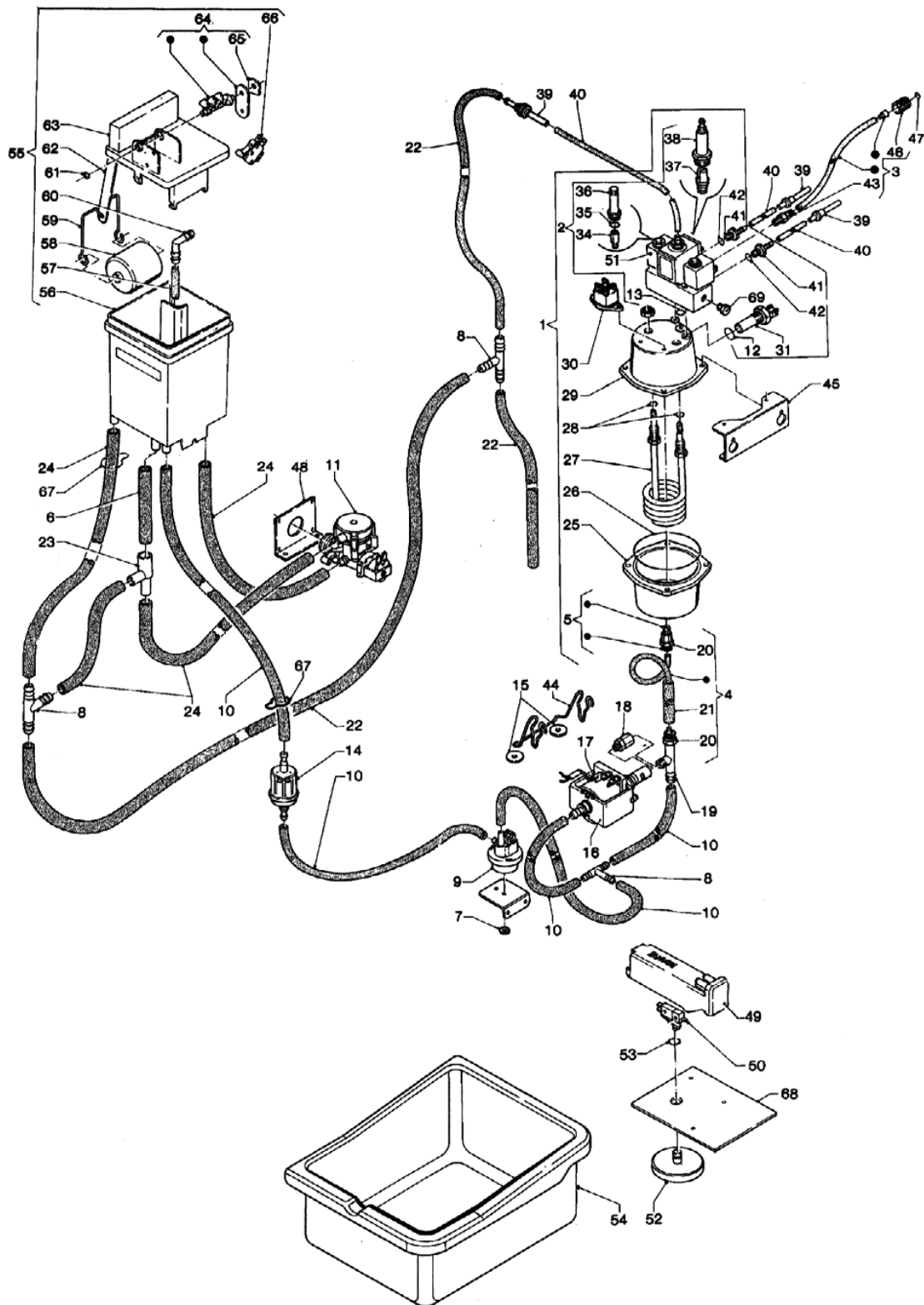
	Code	Description	Notes
1	099339	DOOR	
2	098303	LOCK TYPE 'N'	
3	098463	PASSPARTOUT -ROUND LOCK-	
4	093909	DEAD BOLT	
5	093829	LEVER LOCK CLIP	
6	093978	SPRING FOR ACTUATOR	
7	099346	SHUTTER	
8	099345	SHUTTER SUPPORT	
9	099347	PIN FOR SHUTTER	
10	098818	STOPPING RING D.4	
11	092738	WEDGE BUMPER	
12	099360	SLIDE FOR CHANGE	
13	099359	SHUTTER FOR CHANGE	
14	094989	SELF-STICKING FIXING	
15	099399	COMPLETE CHANGE GIVER DEVICE }	
16	093754	BENZING COLLAR QUICKBLOCK BQ DIAM MM	
17	099355	CHANGE GIVING PIN	
18	099356	SPRING FOR CHANGE	
19	099358	LOWER SLIDE	
20	099357	UPPER SLIDE	
21	097879	NICKELPLATED SCREW	
22	0V0765	INTERFACE CARD MDB	
23	099349	COIN-MECHANISM HOOK	
24	099563	LUMINOUS INDICATOR 12 VOLT	
25	099350	SELECTION BUTTON	
26	099351	ACTIVATOR	
27	099348	COIN-MECHANISM HINGE	
28	099344	STOPPERS	
29	0V0702	DOOR - BLACK -	BLACK COLOUR VERSION
30	0V1396	LOCK HOOK	
31	0V0694	PLUGS -BLACK-	BLACK COLOUR VERSION
32	0V0695	BLACK SHUTTER SUPPORT	BLACK COLOUR VERSION
33	0V0696	RECOVERY/CASH CHUTE-BLACK-	BLACK COLOUR VERSION
34	0V1664	COIN MECH SUPPORT STRENGTHENING	
35	0V0764	MDB WIRING	
36	0V0904	COIN MECHANISM SUPPORT	
37	099806	STOPPING	



	Code	Description	Notes
1	096244	LITTLE FEET	
2	097861	THREADED CONNECTOR	
3	094814	LOCK PREFER 'V000' SELECTED CLOSING TIME	
4	091116	KEY TYPE 'V'	
5	098551	BOLT	
6	094548	SPACER	
7	096988	WASHER	
8	093312	WHIPPING DIAM MM 12 ART 46	
9	093916	WHIPPING OVAL	
10	098759	RUBBER BUFFER	
11	099902	HINGE	
12	099320	COIN-BOX	
13	099325	GRILL	
14	099326	DELIVERY AREA	
15	099324	LIQUIDS TRAY	
16	099372	HINGE	
17	099373	SHELF PIN	
18	091959	BENZING COLLAR DIAM MM4	
19	099901	TOP	
20	099340	DOOR HINGE	
21	0V0710	MACHINE TOP HINGE (BLACK)	BLACK COLOUR VERSION
22	0V1418	TOP 'BLACK'	BLACK COLOUR VERSION
23	0V0697	DISPENSING OPENING GRID-BLACK-	BLACK COLOUR VERSION
24	0V0701	DELIVERY AREA 'BLACK'	BLACK COLOUR VERSION
25	0V0693	TRAY	BLACK COLOUR VERSION
26	0V0711	DOOR HINGE -BLACK	BLACK COLOUR VERSION
27	0V0379	LATCH BOLT PLATE	

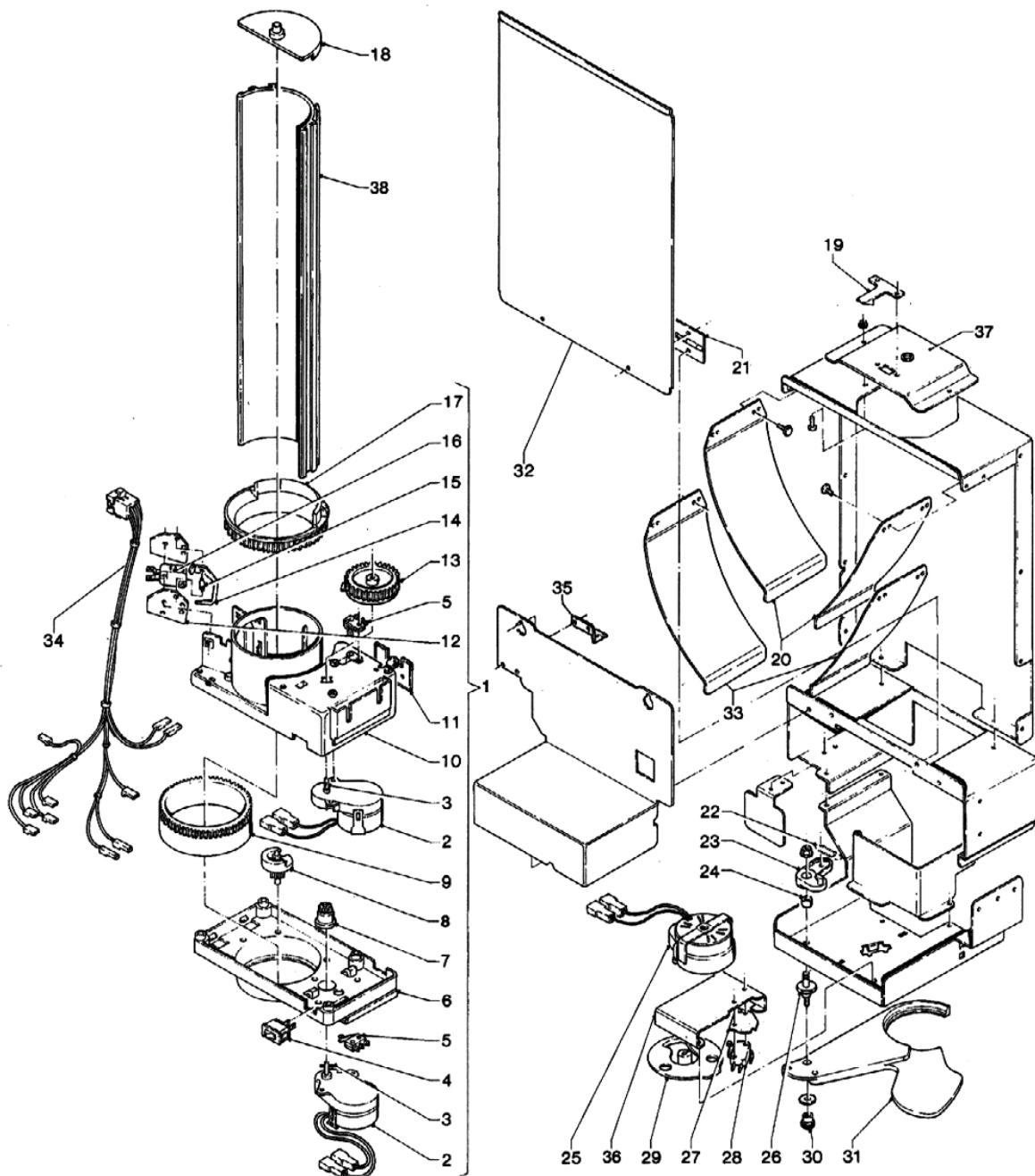


	Code	Description	Notes
1	0V3201	FUSE HOLDER	
2	095636	FUSE 15 A	
3	097796	SWITCH	
4	093984	GUIDE SPACER	
5	090550	TERMINAL BOARD MAMUT	
6	097898	UNIPOLAR BUTTON	
7	090148	CLIP	
8	0V1858	PLUS CPU/REALISATION BOARD	
9	099982	1024K-EPROM (TO BE PROGRAMMED)	
10	098796	TERMINAL BOARD	
11	098793	TERMINAL BOARD WITH FUSE-HOLDER	
12	0V0456	FUSE 160MA	
13	097242	SUB-TERMINAL BOARD	
14	0V0454	TRANSFORMER 110V	
15	0V0455	TRANSFORMER 110V	
16	097241	3-POLE TERMINAL BOARD W/CARRIER	
17	0V0457	FUSE 400MA	
18	0V2470	WIRED SCALER 12 VOLT	
19	0V0796	ELECTRICAL NET FILTER	
20	0V1654	SWITCH KEY	
21	0V1606	MAIN WIRING	
22	097097	FUSE 2 AMP.5X20 DELAYED ACT	
23	097103	FUSE 1.25A 5X20 DELAYED ACTION	
24	0V0795	6.3X32 T15A FUSE	

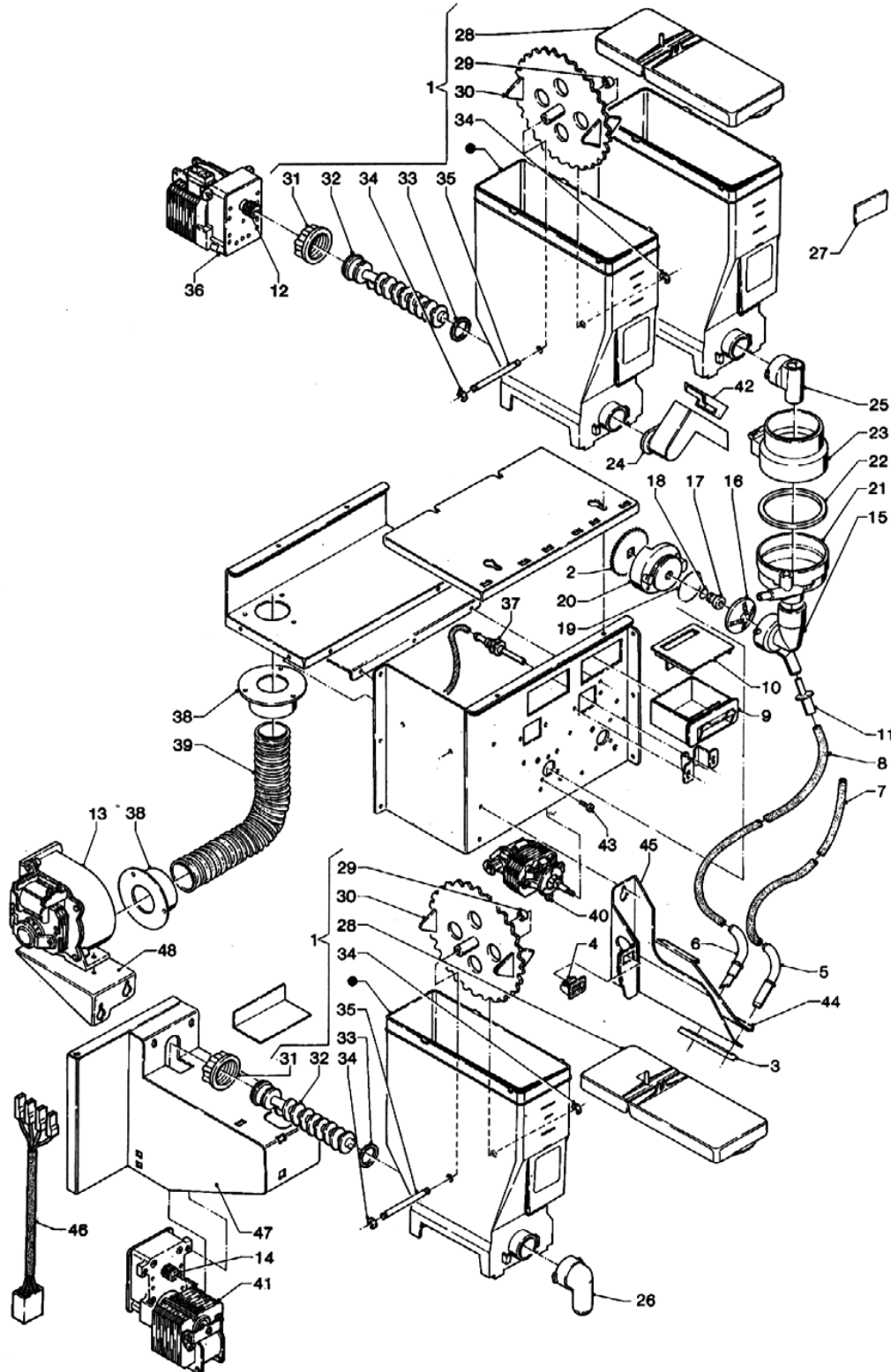


	Code	Description	Notes
1	0V1383	120V-60HZ COFFE BOILER	
2	0V0470	ELECTROVALVES GROUP 110V	
3	099400	PLUNGER TUBE	
4	0V0843	PUMP DELIVERY PIPE	
5	098758	STRAIGHT UNION	
6	097515	SILICONE HOSE 10X16 BROWN	
7	093754	BENZING COLLAR QUICKBLOCK BQ DIAM MM	
8	094231	UNION T-SHAPE	
9	098707	VOLUMETRIC COUNTER	
10	097510	SILICONE HOSE 5X9 BROWN	
11	0V0469	ELECTROVALVE 2.5 L/M 110V	
12	0V0779	O-RING 116	
13	252538	O-RING 2025	
14	097435	WATER FILTER VOLUMETRIC COUNTER	
15	093091	PUMP DAMPER	
16	0V0466	PUMP 110V	
17	098815	90 DEGREES THERMIC PROTECTION	
18	0V0797	NON-RETURN VALVE	
19	0V0798	PUMP BY-PASS	
20	099107	NUT	
21	097685	SILICONE HOSE BROWN 7.5X12	
22	097511	SILICONE HOSE 6X9 BROWN	
23	094185	CODENSE RECOVERY UNION	
24	097512	SILICONE HOSE 6X12 BROWN	
25	0V0768	LOWER COVER	
26	0V0758	O-RING 4350	
27	0V0685	1100W-120V RESISTANCE	
28	252684	O-RING	
29	0V0767	UPPER COVER	
30	0V1385	SINGLE-POLE THERMOSTAT 125 G. 120V	
31	094872	BOILER TEMPERATURE PROBE	
34	099058	NUCLEUS INSTANT-E.V.	
35	099059	VALVE-BUSH-GASKET	
36	0V1953	INSTANT-ELECTROV. CONNECTION PIPE	
37	097472	3-WAY ELECTROVALVE NUCLEUS -VITON-	
38	099105	COFFEE-ELECTROV. CONNECTION PIPE	
39	099329	FUNNEL NOZZLE D. 3.4	
40	097529	SILICONE HOSE 3X6 BROWN	
41	0V0774	STAINLESS STEEL RUBBER HOLDER ASSY.	
42	0V0780	O-RING 2031	
43	0V0773	STRAIGHT CONNECTION 5/2.5	
44	0V0191	POMPE SUPPORT	
45	0V0757	BOILER SUPPORT	
46	098699	UNION FOR PISTON PIPE	
47	094611	GASKET O-RING 2018	
48	0V0756	ELECTROVALVE SUPPORT	

	Code	Description	Notes
49	0V1350	MICROSWITCH SUPPORT	
50	0V1930	MICROSWITCH 'UL'	
51	0V1856	INSTANTS COIL 110 VOLT	
52	0V1750	TRAY FLOAT	
53	095623	GASKET O-RING 119 EP851	
54	099327	COFFEE GROUNDS TRAY	
55	098250	AIR-BREAK COMPLETE	
56	094115	AIR BREAK CASE	
57	094330	HOSE POLYTHENE MM 6X9	
58	094120	FLOAT	
59	094118	FLOAT ARM	
60	094571	UNION 90 DEGREES	
61	091959	BENZING COLLAR DIAM MM4	
62	094119	CONNECTING ROAD	
63	094116	AIR-BREAK LID	
64	094933	CONTROL DEVICE MICRO AIR-BREAK	
65	094128	GRIP CLIP	
66	0V1929	MICRO 'UL' FOR AIR-BREAK	
67	092703	TUBE CLAMP	
68	099801	SUPPORT	
69	0V1600	CAP WITH O-RING	

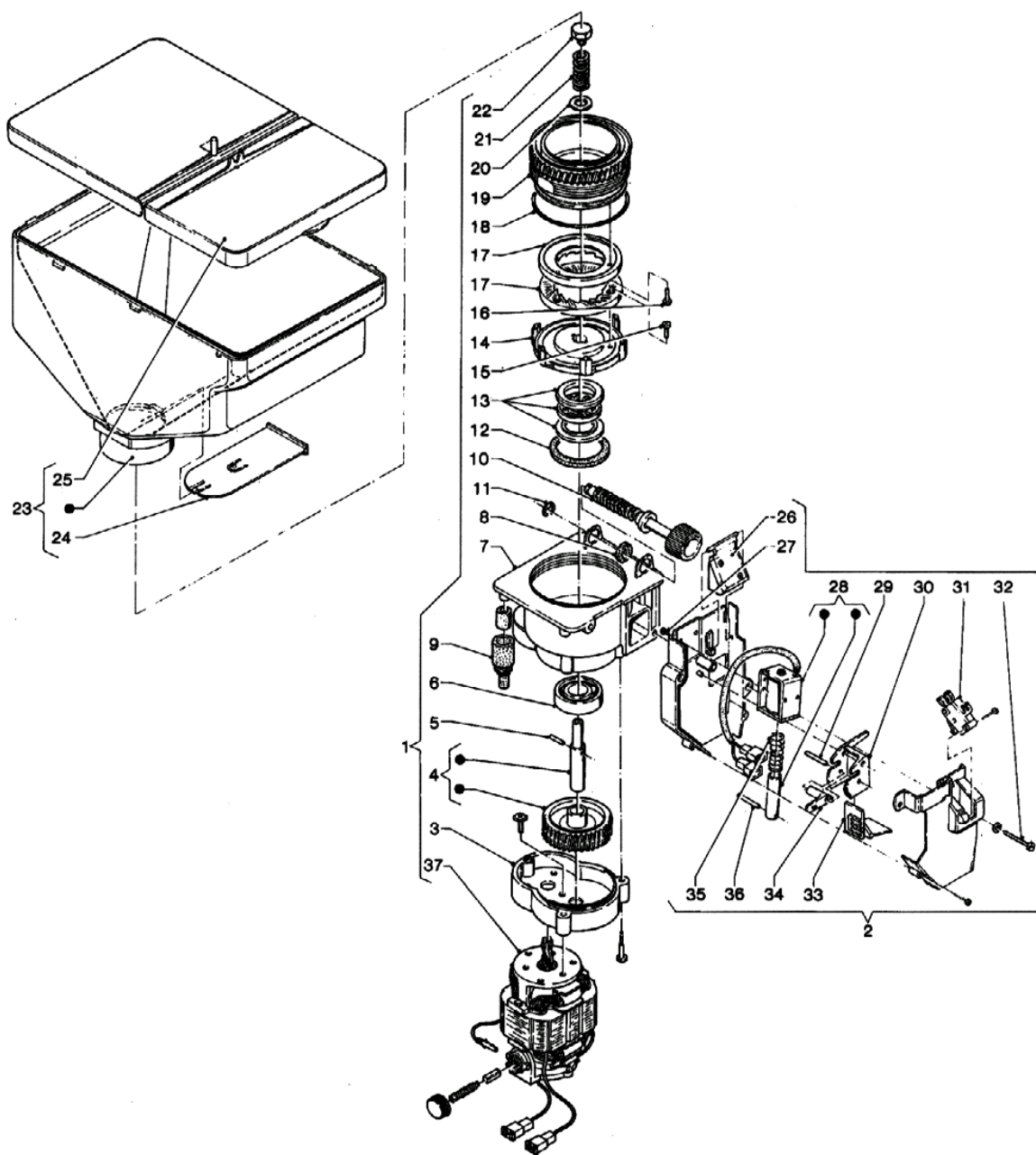


	Code	Description	Notes
1	0V0446	CUPS DISTRIBUTOR 73-74 110V	
2	0V0459	MOTOREDUCER 110V	
3	098530	PLUG 1X8	
4	097807	BUTTON	
5	0V1928	MICRO-SWITCH 'UL'	
6	098473	LOWER SHELL	
7	098476	PINION	
8	0V1659	SNAIL W/DIAM. 73-74	
9	098477	TOOTHED RING	
10	0V1300	UPPER SHELL	
11	098475	SHUTTER	
12	092984	MICRO SUPPORT DISK	
13	095887	PINION	
14	092982	MICRO LEVER	
15	093419	MICRO DRIVE LEVER PIVOT	
16	092439	MICRO TYPE 'CHERRY'	
17	095888	TURNABLE SUPPORT	
18	099362	COLUMN PIN	
19	099349	COIN-MECHANISM HOOK	
20	0V1114	SPRING	
21	095968	HINGE UPPER COVERING	
22	093978	SPRING FOR ACTUATOR	
23	099367	CRANK	
24	099365	COMPASS	
25	0V0463	MOTOREDUCER 110V	
26	099368	PIN	
27	090681	INSULATING DISK	
28	0V1927	MICROSWITCH 'UL'	
29	099369	CAM	
30	093828	KNURL	
31	099555	OSCILLATING ARM 73-74	
32	0V0718	COVERING	
33	099363	SPRING	
34	0V0761	CUP DISPENSER WIRING	
35	099567	SUGAR POWDER PROTECTION	
36	0V1571	MOTOREDUCER SUPPORT	
37	0V1934	CENTERING SQUARE	
38	0V1886	SIDEWALL OF TURNABLE PILLAR	

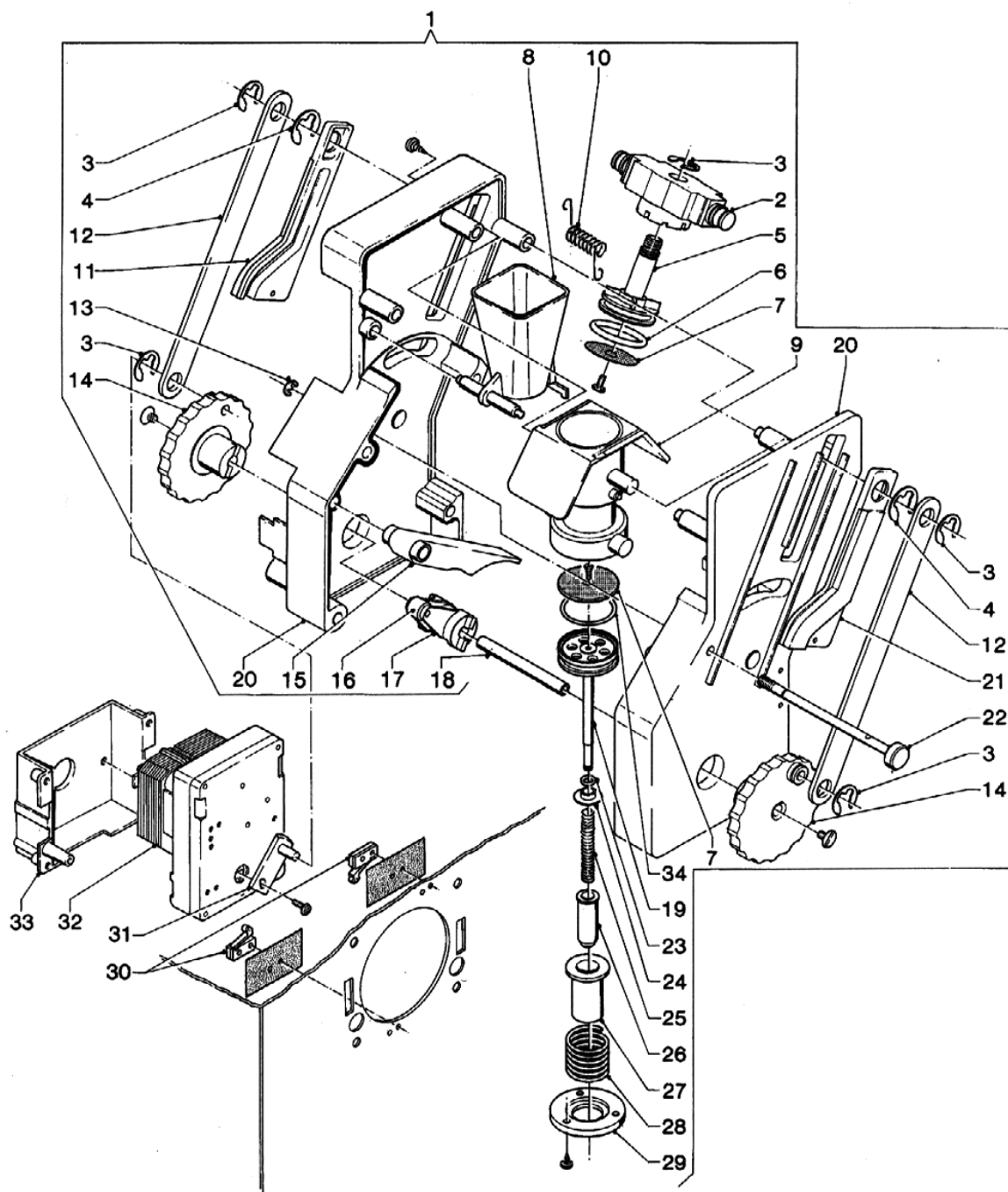


	Code	Description	Notes
1	099334	POWDERS CANISTER	FOR MILK-TEA-SUGAR
1	099335	POWDERS CANISTER LONG SCROLL	FOR CHOCOLATE
2	099889	DISK	
3	099328	NOZZLES SUPPORT	
4	094026	FEMALE CLIP	
5	097922	NOZZLE	
6	097953	POINTED NOZZLE	
7	097510	SILICONE HOSE 5X9 BROWN	
8	097511	SILICONE HOSE 6X9 BROWN	
9	099330	POWDERS DRAWER	
10	099331	DRAWER LID	
11	097914	COFFEE CHOKE	
12	0V0943	PINION (FOR MAIN SHAFT)	FOR LARGE SHAFT
13	0V0464	ELECTROVENTILATOR 110V	
14	099882	PINION (FOR SMALL SHAFT)	
15	097912	CONVEYOR FOR MIXER	
16	097916	MIXER VENTILATOR	
17	097917	BUSH SEAL	
18	0V0775	O-RING 106	
19	0V0776	O-RING 3125	
20	097911	FLANGE FOR MIXER	
21	098191	WATER-FUNNEL CUT	
22	097523	DEFLECTOR RING MIXER BROWN	
23	097520	POWDER INLET FUNNEL BROWN	
24	099102	RIGHT POWDERS CONVEYOR	
25	098939	ROUND STRAIGHT PIPETTE	
26	099814	PIPETTE	
27	097502	NAMEPLATE GROUP CONTAINER INSTANT P	
28	099466	LID FOR CONTAINER	
29	098812	SPACER	
30	095936	WHEEL	
31	095849	CONTAINER RING NUT	
32	098608	LONG SCROLL	
32	098609	SCROLL	
33	095829	GASKET O-RING	
34	091959	BENZING COLLAR DIAM MM4	
35	0V1962	PIN FOR WHEEL	
36	0V0462	MOTOREDUCER 110V 65G/MIN	
37	099329	FUNNEL NOZZLE D. 3.4	
38	098703	VENTILATOR PIPE CONNECTION D38	
39	096459	HOSE DIAM 32	
40	0V0450	MOTORMIXER 110V	
41	0V0460	MOTOREDUCER 110V 51G/MIN	
42	099803	COVER	
43	099773	SCREW	
44	0V0908	GUIDE	

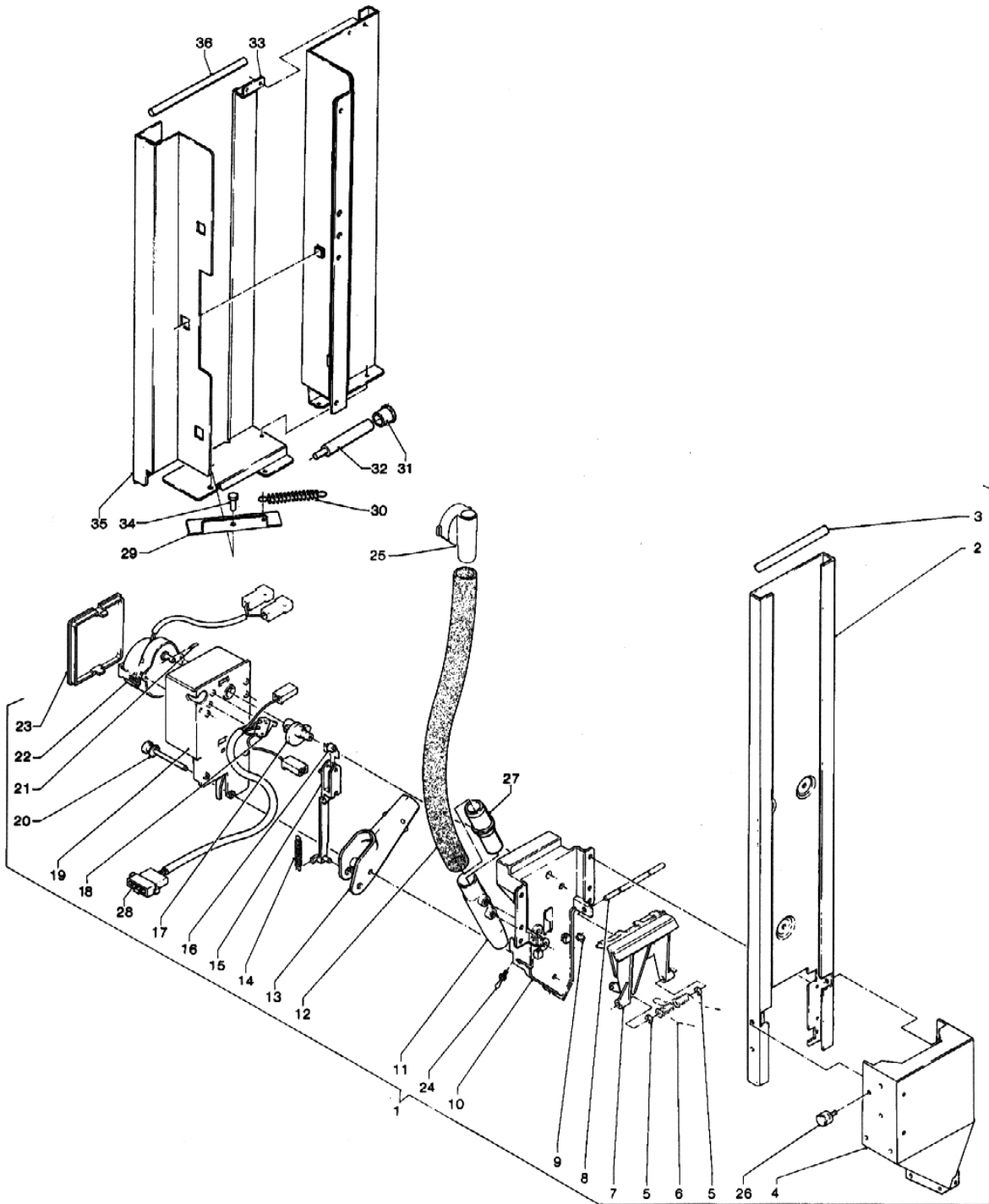
	Code	Description	Notes
45	0V0909	GUIDE SUPPORT	
46	0V0762	SUGAR/STIRRER BRACKET WIRING	
47	0V1665	SUGAR BRACKET	
48	0V1935	VENTILATOR SUPPORT	



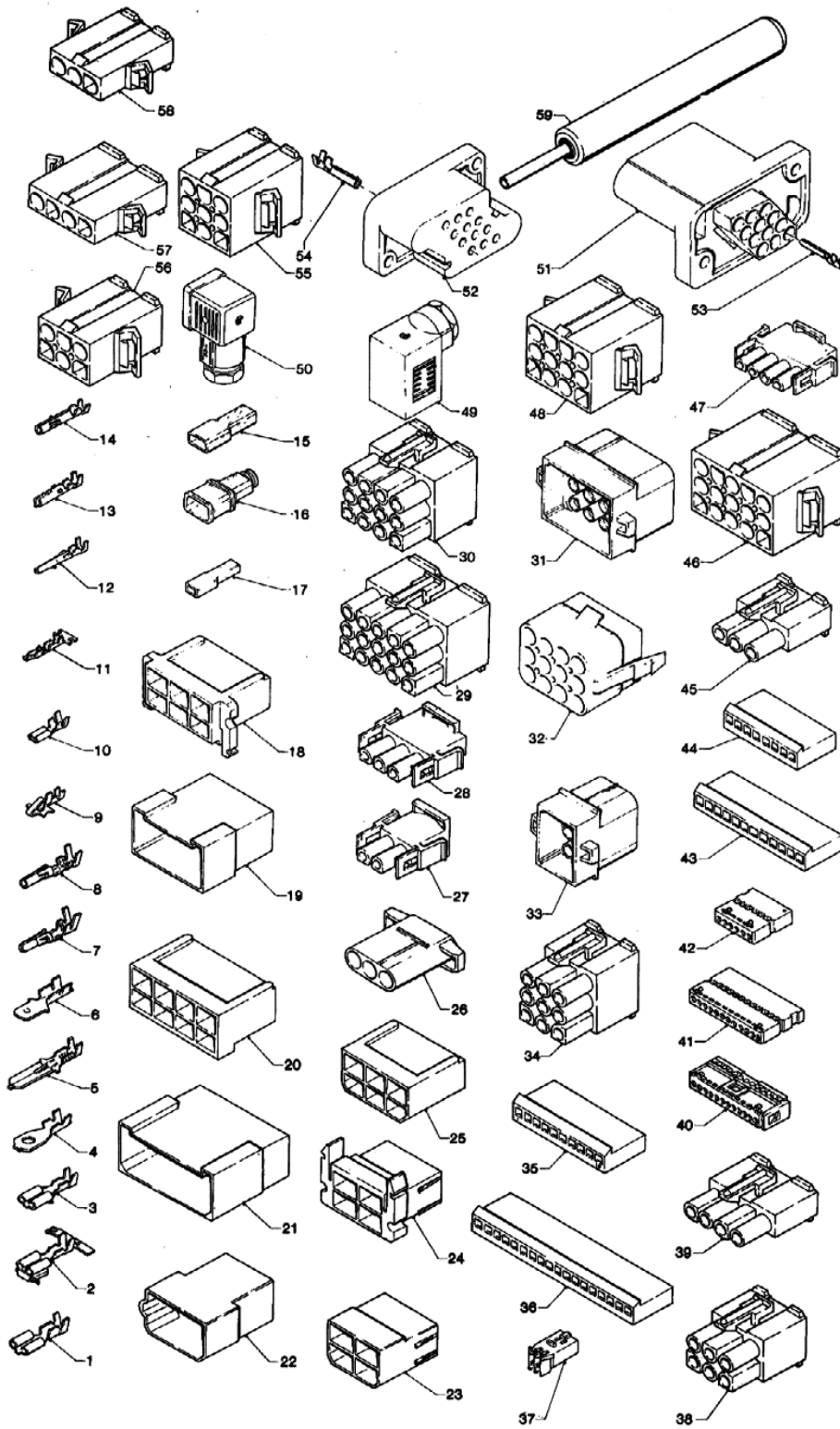
	Code	Description	Notes
1	0V0443	GRINDER 110V	
2	0V2700	COFFEE DOSER 110V-60HZ	
3	099468	SUPPORT	
4	099470	SHAFT WHEEL	
5	098293	ELASTIC PLUG	
6	095803	RADIAL BEARING	
7	099469	CAP	
8	099457	WASHER	
9	099484	LITTLE RUBBER	
10	099474	REGULATION SCREW	
11	093171	OUTER FIXING COLLAR DIAM MM6	
12	093271	COFFEE JUNK RING	
13	093187	THRUST BEARING	
14	095802	GRINDER HOLDER IMPELLER	
15	095809	SELF-THREADING SCREW (M4)	
16	097879	NICKELPLATED SCREW	
17	095840	GRINDER	
18	095805	GASKET O-RING	
19	099473	GRINDER HOLDER	
20	096988	WASHER	
21	099471	SPRING	
22	099472	LEFT SCREW	
23	099338	COFFEE CANISTER	
24	098630	ROLL-UP FOR CONTAINER	
25	099476	COVER	
26	099475	ACTUATOR	
27	092657	CLOSS SLOT SCREW 3X6TC	
28	0V0468	ELECTROMAGNET 110V	
29	098822	PIN FOR LEVER	
30	098642	SHUTTER COFFEE-DOSER	
31	0V2082	ADAPTER PLATE	
31	0V2131	BURGESS MICRO-SWITCH	
32	096097	SCREW	
33	098643	RULE COFFEE-DOSES	
34	098644	LEVER FOR RULE	
35	098696	SPRING DOSER ELECTROMAGNET	
36	093832	ROD PIVOT	
37	0V0452	GRINDER MOTOR 110V	



	Code	Description	Notes
1	0V0786	Z2000S 120V COFFEE UNIT	
2	098568	CROSS-BAR	
3	098819	STOPPING RING D.9	
4	096569	FIXING COLLAR DIAM 12	
5	098577	UPPER PISTON	
6	251089	O-RING - 29.3X3.6 UL	
7	098687	COFFEE FILTER	
8	098570	COFFEE CHUTE	
9	099489	BREWING CHAMBER	
10	098920	SCRAPER	
11	098571	REAR SLEDGE	
12	098565	TRACE FOR PISTON COMMAND	
13	098818	STOPPING RING D.4	
14	098573	CRANK	
15	098575	OSCILLATING LEVER	
16	098692	ROTATING LEVER ROLL	
17	098574	ROTATING LEVER	
18	098693	ROD CRANK BLOCKING	
19	099490	LOWER PISTON	
20	0V1714	FRONT AND REAR SHOULDER	
21	098572	FRONT SLEDGE	
22	098694	ROD WITH KNURL	
23	0V0782	O-RING 2025	
24	098690	CONTROL BUSH	
25	098688	PISTON RETURN SPRING	
26	098691	LOWER PISTON GUIDE	
27	098567	LID FOR SPRING	
28	098689	PREINFUSION SPRING	
29	098569	FLANGE FOR SPRING	
30	096355	MICRO SWITCH -UL -	
31	098763	CRANK WITH PIN	
32	0V0458	MOTOREDUCER 110V	
33	098566	MOTOREDUCER SUPPORT	
34	251089	O-RING - 29.3X3.6 UL	



	Code	Description	Notes
1	0V0447	SUGAR/STIRRING BARS DISTRIB.110V	
2	099672	STIRRING-BAR PILLAR 105 MM	
3	099720	STIRRER BAR WEIGHT L=105	
4	0V3022	105 MM STIRRER CHUTE	
5	091959	BENZING COLLAR DIAM MM4	
6	099602	SPRING	
7	099610	LEVER	
8	098352	STIRRING BARS EJECTING PIN	
9	098853	PASS-WIRE	
10	099607	BODY	
11	098356	SUGAR PIPE	
12	098719	PVC PIPE 14X19(A METER)	
13	099721	SUGAR NOZZLE	
14	099616	SPRING	
15	099605	ROD	
16	099604	ROLLER	
17	099606	CAM	
18	096355	MICRO SWITCH -UL -	
19	099608	SUPPORT	
20	0V2949	SUGAR SPOUT PIN	
21	096904	ELASTIC PLUG 1.5X8	
22	0V0463	MOTOREDUCER 110V	
23	099609	COVER	
24	094159	FIXING PLUG	
25	099814	PIPETTE	
26	096977	KNURL	
27	099375	HOSE COUPLING	
28	0V0763	STIRRER DISPENSER WIRING	
29	099414	EJECTOR LEVER	
30	099356	SPRING FOR CHANGE	
31	099350	SELECTION BUTTON	
32	0V1399	STIRRER LEVER ACTUATOR	
33	0V1398	120MM STIRRER STACKER	
34	099420	PIN	
35	0V1397	120MM STIRRER GUIDE	
36	099720	STIRRER BAR WEIGHT L=105	



	Code	Description	Notes
1	090959	FASTON W/O TONGUE	
2	091702	TERMINAL FASTON DOUBLE M/F	
3	093990	TERMINAL FEMALE FASTIN/FASTON	
4	090957	EYELET TERMINAL	
5	093850	TERMINAL MALE FASTIN/FASTON	
6	091159	TERMINAL FASTON MALE BRASS	
7	095955	TERMINAL MALE	
8	096136	TERMINAL FEMALE	
9	093996	TERMINAL FEMALE	
10	094958	TERMINAL FASTON FEMALE	
11	094405	TERMINAL FEMALE 2.5	
12	093736	MALE CONTACT BRASS	
13	093745	RELAY SOCKET TYPE ZN1	
14	094956	TERMIONAL FEMALE	
15	090247	FEMALE FASTON COVER	
16	091192	FASTON COVER	
17	094957	FEMALE FASTON COVER	
18	093989	6-POL CONNECTOR BLOCK FEMALE	
19	093849	6-POLE CONNECTOR BLOCK MALE	
20	093987	8-POLE CONNECTOR BLOCK S.A. FEMALE	
21	094123	8-POLE CONNECTOR BLOCK S/A MALE	
22	093854	4-POLE CONNECTOR BLOCK FEMALE	
23	093985	4-POLE CONNECTOR BLOCK FEMALE	
24	093988	4-POLE CONNECTOR BLOCK C.A. FEMALE	
25	093986	6-POLE CONNECTOR BLOCK FEMALE SA	
26	093731	3-POLE CONNECTOR BLOCK MALE	
27	094955	FEMALE HOLDER CONNECTOR 2-WAYS	
28	094954	FEMALE HOLDER CONNECTOR 3-WAYS	
29	0V0819	15-PIN CONNECTOR/P MOLEX 3191	
30	0V0818	12-PIN CONNECTOR/P MOLEX 3191	
31	090053	MALE HOLDER CONNECTOR	
32	091108	CONNECTOR 12 WAYS	
33	090052	MALE HOLDER CONNECTOR	
34	0V0817	9-PIN CONNECTOR/P MOLEX 3191	
35	093993	CHASER CONNECTOR FEMALE HOLDER 10-W	
36	093995	CHASER CONNECTOR FEMALE HOLDER 18-W	
37	094953	FEMALE HOLDER CONNECTOR 2-WAYS MM 2.5	
38	0V0816	6-PIN CONNECTOR/P MOLEX 3191	
39	0V0815	4-PIN CONNECTOR/P MOLEX 3191	
40	094961	FEMALE HOLDER CONNECTOR P.I. 12-W	
41	094404	FEMALE HOLDER CONNECTOR 12-WAYS 2.5	
42	094712	FEMALE HOLDER CONNECTOR STOKO 6-WAY	
43	093994	CHASER CONNECTOR FEMALE HOLDER 12-W	
44	093993	CHASER CONNECTOR FEMALE HOLDER 10-W	
45	0V0814	3-PIN CONNECTOR/P MOLEX 3191	
46	0V0813	15-PIN CONNECTOR/P MOLEX 3191	

	Code	Description	Notes
47	098062	4-WAY CONNECTOR MATE-N-LOK AMP	
48	0V0812	12-PIN CONNECTOR/P MOLEX 3191	
49	098061	CONNECTOR MPM FOR COUNTER	
50	096549	CONNECTOR	
51	098899	MALE HOLDER CONNECTOR 12 WAYS	
52	098901	FEMALE HOLDER CONNECTOR 12 WAYS	
53	098900	MALE PIN	
54	098902	TERMINAL FEMALE	
55	0V0811	9-PIN CONNECTOR/P MOLEX 3191	
56	0V0810	6-PIN CONNECTOR/P MOLEX 3191	
57	0V0809	4-PIN CONNECTOR/P MOLEX 3191	
58	0V0808	3-PIN CONNECTOR/P MOLEX 3191	
59	0V0820	MOLEX CONTACT PULLER	